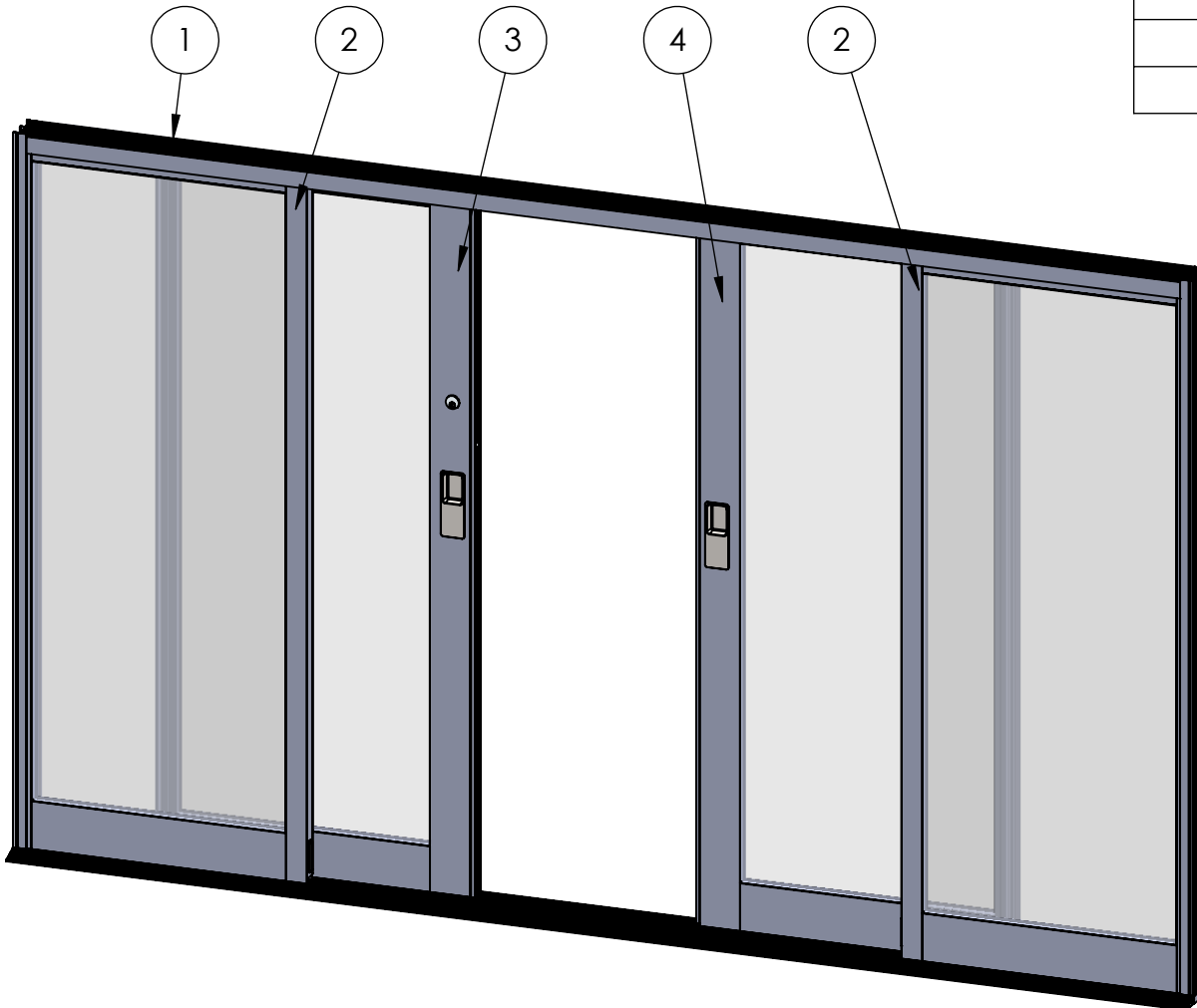


ASSEMBLY / PARTS LIST (B.O.M.)

SERIES: 3070
CONFIGURATION: OXIXO

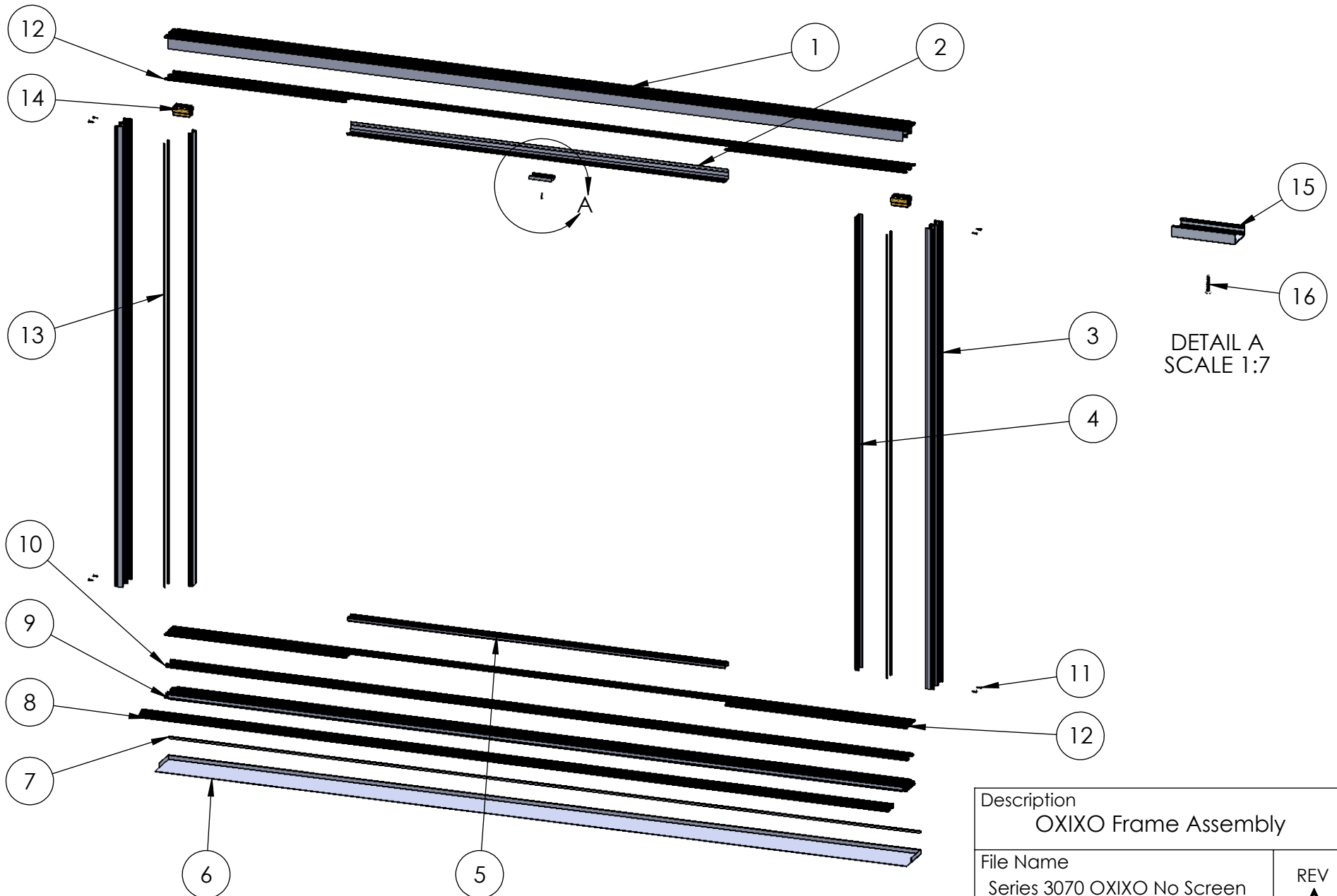
ITEM NO.	DESCRIPTION	PAGE #
1	OXIXO Frame Assembly	2-3
2	O-Panel Assembly	4
3	X Panel Assembly (XI)	5-6
4	X Panel Assembly (IX)	7-8



NOTES:
 1. Interior and exterior stacking O-Panels shown.

Description Table of Contents	
File Name Series 3070 OXIXO No Screen Assembly	REV A
Released 4/15/2019	SHEET 1 OF 8

ASSEMBLY / PARTS LIST (B.O.M.)



PROPRIETARY AND CONFIDENTIAL
THE INFORMATION CONTAINED IN THIS DRAWING IS THE SOLE PROPERTY OF FLEETWOOD WINDOWS & DOORS.
ANY REPRODUCTION IN PART OR AS A WHOLE WITHOUT THE WRITTEN PERMISSION OF FLEETWOOD WINDOWS & DOORS IS PROHIBITED.

Description OXIXO Frame Assembly	
File Name Series 3070 OXIXO No Screen Assembly	REV A
Released 4/15/2019	SHEET 2 OF 8

ASSEMBLY / PARTS LIST (B.O.M.)

EXTRUSIONS

ITEM NO.	PART NUMBER	DESCRIPTION	QTY.
1	3702	Multi-Slide Head (2 Track)	1
2	3014	Head Filler Closer	1
3	3712	Jamb (2 track)	2
4	3710	Jamb Filler	2
5	3747	Sill Filler	2
6	-	N3-SillPan-2tr	1
7	FW1076	Sillpan Hem Cover	1
8	3752	Sill Riser (optional)	1
9	3742	Multi-Slide Sill (2Track)	1
10	FW1020	Standard Stainless Steel Track Insert .5625	2

HARDWARE

11	20345	#10 PHP - A, 3/4", Zinc, Clear	8
12	19118	Small Fin Seal Mohair (23027045BKQB)	18
13	19120	Q-Lon (U5212)	4
14	24101	Bumper, Sliding Door Head Installation 2.625"	2
15	24098	Head Anti Lift	1
16	20247	#8, FHP - A Screw, 1 in, SS, Clear	1

Description
OXIXO Frame Assembly B.O.M.

File Name
Series 3070 OXIXO No Screen
Assembly

REV
A

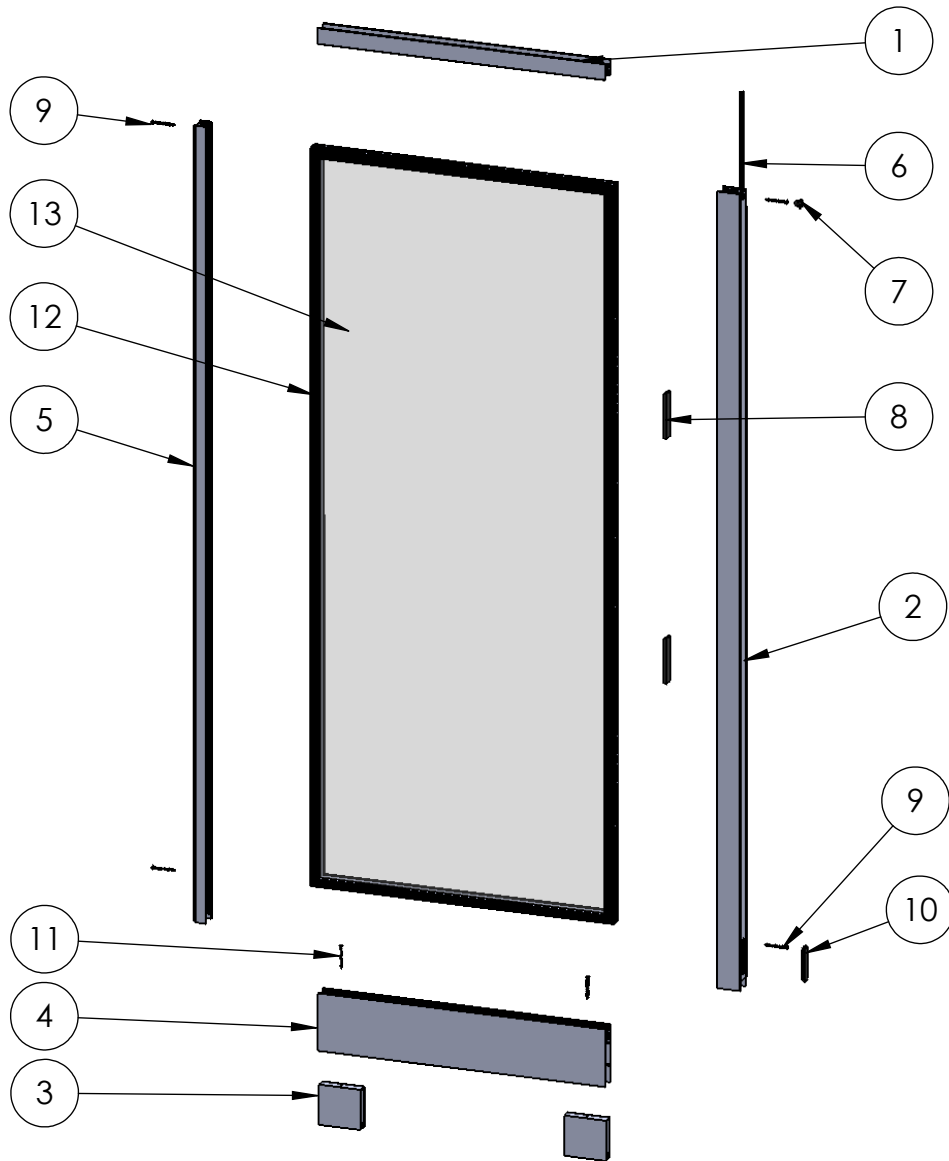
PROPRIETARY AND CONFIDENTIAL

THE INFORMATION CONTAINED IN THIS DRAWING IS THE SOLE PROPERTY OF FLEETWOOD WINDOWS & DOORS.
ANY REPRODUCTION IN PART OR AS A WHOLE WITHOUT THE WRITTEN PERMISSION OF FLEETWOOD WINDOWS & DOORS IS PROHIBITED.

Released 4/15/2019

SHEET 3 OF 8

ASSEMBLY / PARTS LIST (B.O.M.)



EXTRUSIONS

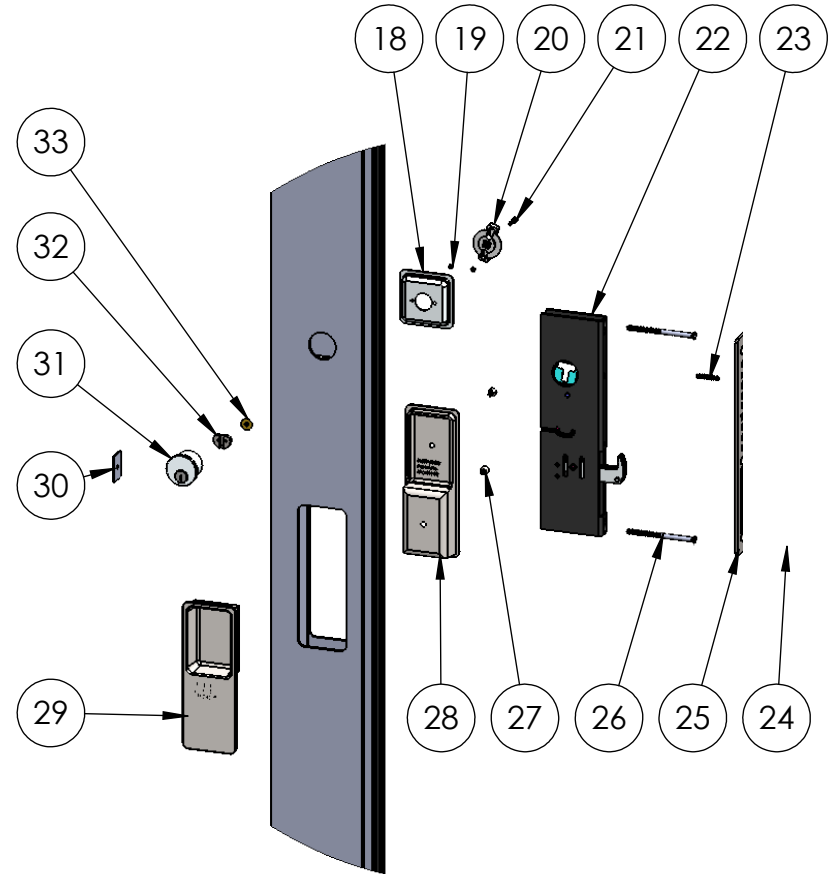
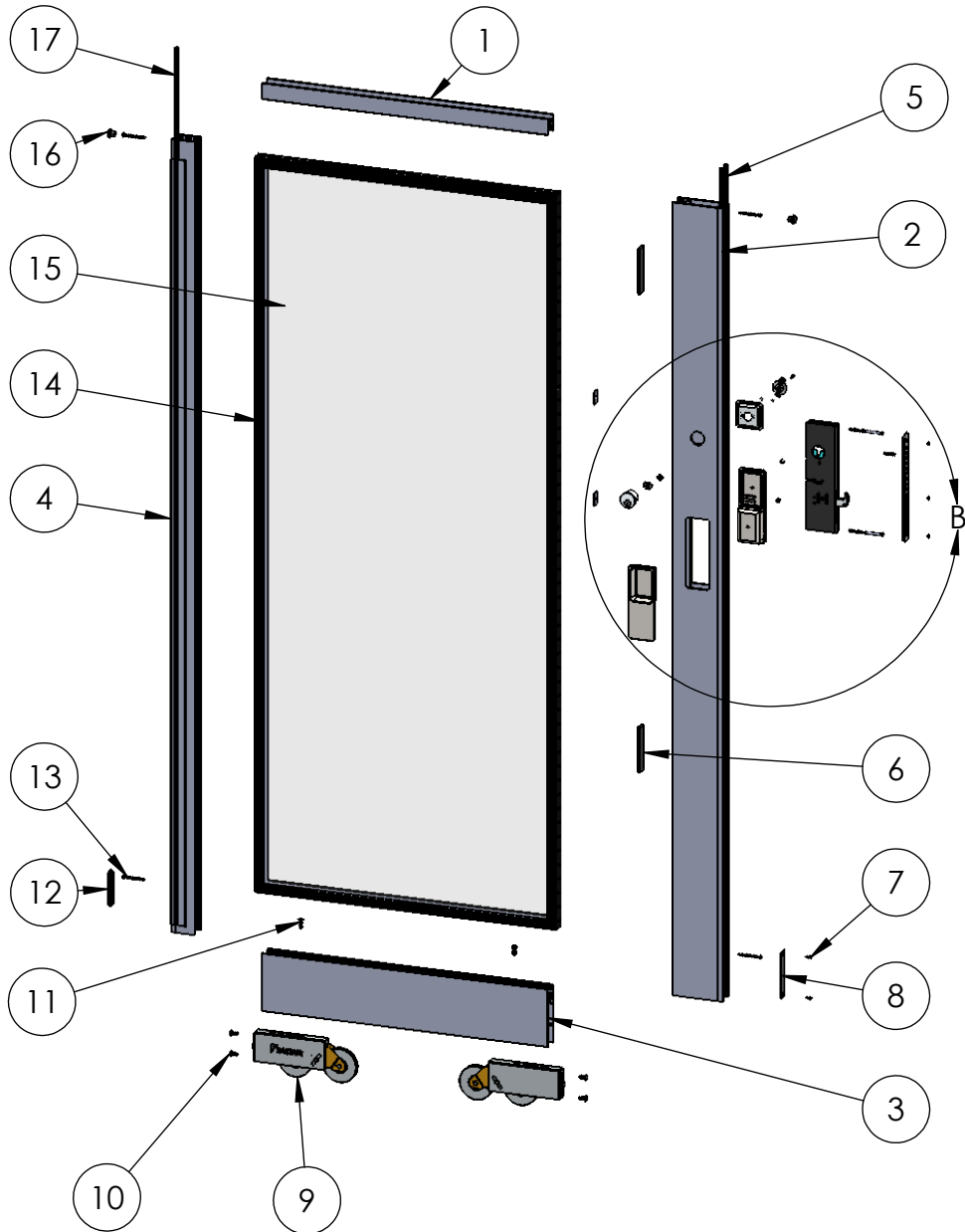
ITEM NO.	PART NUMBER	DESCRIPTION	QTY.
1	3004	Top Rail DG	1
2	3006	Interlock DG	1
3	25381	A3 Roller Setting Block	2
4	3027	Bottom Rail	1
5	3008	Fixed Stile DG	1

HARDWARE

ITEM NO.	PART NUMBER	DESCRIPTION	QTY.
6	19117	Large Fin Seal (29027045bkqb)	1
7	20635	Small Round Panel Plug	1
8	18620	Setting Block, .25 in.	2
9	20355	#10 PHP -A, 2", SS, Clear	4
10	20478	Oval Plug - Long	1
11	20298	#10 FHP-A, 2", SS, Clear	2
12	22909	1 inch Glazing Vinyl	1
13	-	Glass	1

Description O-Panel Assembly	
File Name Series 3070 OXIXO No Screen Assembly	REV A
Released 4/15/2019	SHEET 4 OF 8

ASSEMBLY / PARTS LIST (B.O.M.)



DETAIL B
 SCALE 1:8

PROPRIETARY AND CONFIDENTIAL
 THE INFORMATION CONTAINED IN THIS DRAWING IS THE SOLE PROPERTY OF FLEETWOOD WINDOWS & DOORS.
 ANY REPRODUCTION IN PART OR AS A WHOLE WITHOUT THE WRITTEN PERMISSION OF FLEETWOOD WINDOWS & DOORS IS PROHIBITED.

Description X-Panel Assembly (XI)	
File Name Series 3070 OXIXO No Screen Assembly	REV A
Released 4/15/2019	SHEET 5 OF 8

ASSEMBLY / PARTS LIST (B.O.M.)

EXTRUSIONS			
ITEM NO.	PART NUMBER	DESCRIPTION	QTY.
1	3004	Top Rail DG	1
2	3707	Lock Stile with Female Yoke	1
3	3027	Bottom Rail	1
4	3006	Interlocker	1
HARDWARE			
ITEM NO.	PART NUMBER	DESCRIPTION	QTY.
5	19118	Small Fin Seal Mohair (23027045BKQB)	2
6	18620	Setting Block, .25 in.	2
7	20240	#8 FHP - A - UC, .5 in, SS, Clear	2
8	25035	Meeting Stile Bumper Cover Plate	1
9	18883	A3 Roller, Precision - Tandem	2
10	20357	#1/4-20 PHP - B, 1/2", SS, Clear	4
11	20305	#1/4-20 FHP - B, 3/4", SS Clear	2
12	20478	OVAL BUMPER - 3070/3050 3.125"	1
13	20355	#10 PHP -A, 2", SS, Clear	4
14	20480, 19050, 19074	Glazing Vinyl (1", 15/16", 1 1/16")	1
15	-	Glass	1
16	20635	Small Round Panel Plug (All Doors)	2
17	19117	Large Fin Seal (29027045bkqb)	1
18	24080,24765, 24081,24767	Archetype Actuator Pocket, (OX (Black, SS), XO (Black, SS))	1
19	24074	#4-40 FHP, UC, 1/8", SS, Clear	2
20	24079, 24766	Archetype Actuator (Black, SS)	1

HARDWARE			
ITEM NO.	PART NUMBER	DESCRIPTION	QTY.
21	24072, 24094	#6-32, Hex Socket Head Cap, Self Locking, 1/2", SS (Clear, Black)	1
22	24070,24077	Archetype Primary Latch OX, XO	1
23	24935	#8-32 x 1" Set Screw (Reg. arch. Cyl.)	1
24	24076	#8-32 FH Socket Cap Screw, 3/8",SS	3
25	24075	Archetype Primary Latch(Face) Plate, Cover	1
26	25729	#10-32 FHP, 3, SS, Clear	2
27	26049, 25325	#8-32 FHS - B, 0.375 in, SS, (Clear, Black)	2
28	24089, 24091	Archetype Handle, Inside, w/Gasket (SS, Blk)	1
29	24090, 24092	Archetype Handle, Outside, w/Gasket (SS, Blk)	1
30	18671	Back Up Plate # 10-32 x 0.075 Thk.	2
31	25356, 24782	Archetype Keyed Cylinder (SS) (KA,KD) (with Cam/Bushing/Screw)	1
32	24780	Cam (Key Cylinder)	1
33	24781	Brass Bushing - (Archetype Key Cylinder)	1

Description
X-Panel Assembly (XI) B.O.M.

File Name
Series 3070 OXIXO No Screen
Assembly

REV
A

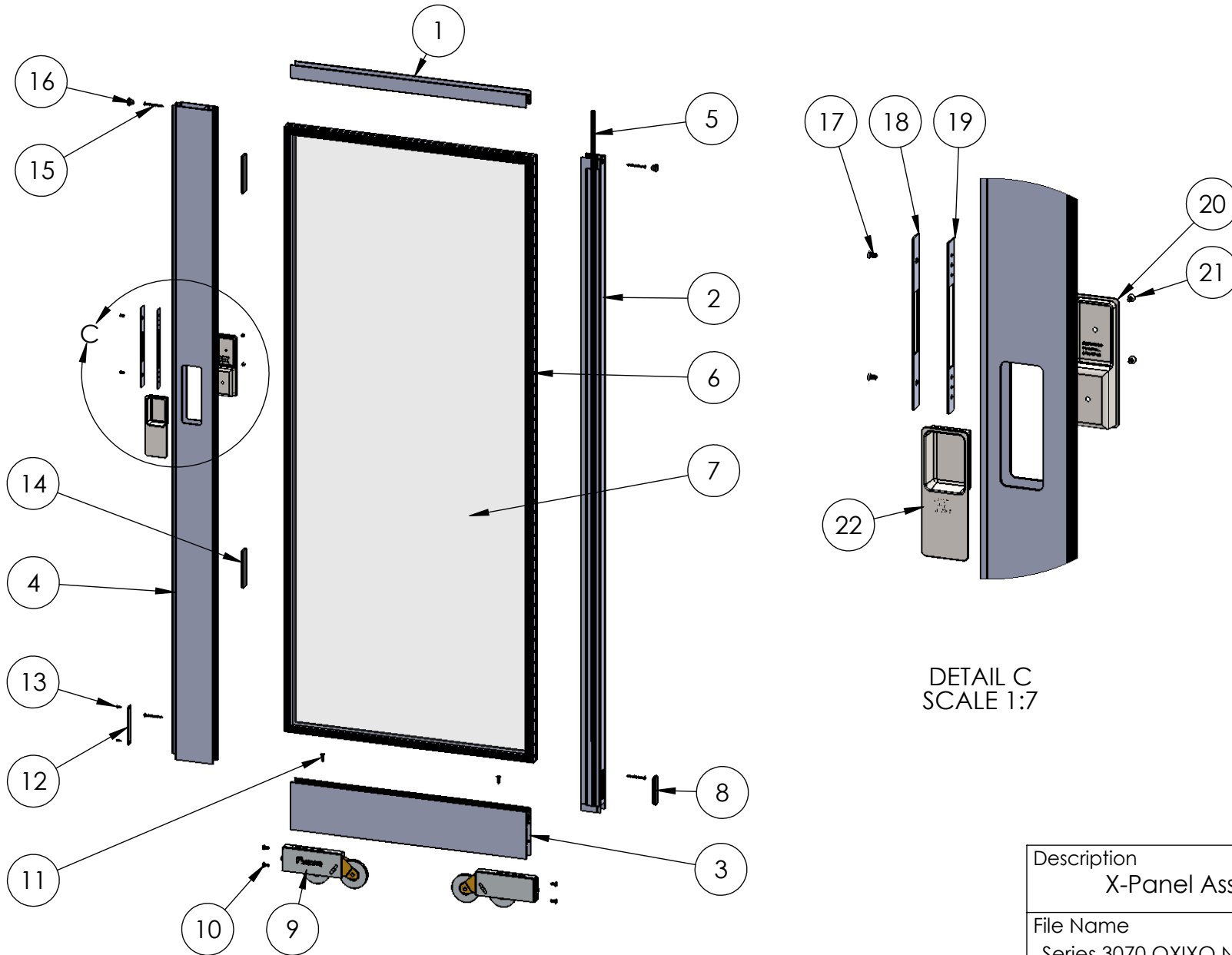
Released 4/15/2019

SHEET 6 OF 8

PROPRIETARY AND CONFIDENTIAL

THE INFORMATION CONTAINED IN THIS DRAWING IS THE SOLE PROPERTY OF FLEETWOOD WINDOWS & DOORS.
ANY REPRODUCTION IN PART OR AS A WHOLE WITHOUT THE WRITTEN PERMISSION OF FLEETWOOD WINDOWS & DOORS IS PROHIBITED.

ASSEMBLY / PARTS LIST (B.O.M.)



DETAIL C
 SCALE 1:7

PROPRIETARY AND CONFIDENTIAL
 THE INFORMATION CONTAINED IN THIS DRAWING IS THE SOLE PROPERTY OF FLEETWOOD WINDOWS & DOORS.
 ANY REPRODUCTION IN PART OR AS A WHOLE WITHOUT THE WRITTEN PERMISSION OF FLEETWOOD WINDOWS & DOORS IS PROHIBITED.

Description X-Panel Assembly (IX)	
File Name Series 3070 OXIXO No Screen Assembly	REV A
Released 4/15/2019	SHEET 7 OF 8

ASSEMBLY / PARTS LIST (B.O.M.)

EXTRUSIONS			
ITEM NO.	PART NUMBER	DESCRIPTION	QTY.
1	3004	Top Rail DG	1
2	3006	Interlocker	1
3	3027	Bottom Rail	1
4	3706	Lock Stile with Male Yoke	1
HARDWARE			
ITEM NO.	PART NUMBER	DESCRIPTION	QTY.
5	19117	Large Fin Seal (29027045bkqb)	1
6	20480, 19050, 19074	Glazing Vinyl (1", 15/16", 1 1/16")	1
7	-	Glass	1
8	20478	Oval Plug - Long	1
9	18883	A3 Roller, Precision - Tandem	2
10	20357	#1/4-20 PHP - B, 1/2", SS, Clear	4
11	20305	#1/4-20 FHP - B, 3/4", SS Clear	2
12	25035	Meeting Stile Cover Plate	1
13	20240	#8 FHP - A - UC, .5 in, SS, Clear	2
14	18620	Setting Block, .25 in.	2
15	20355	#10 PHP -A, 2", SS, Clear	4
16	20635	Small Round Panel Plug	2
17	20266	Screw No.10-32, Flat Undercut Head Phil.,0.375 In	2
18	24980	Strike Plate, Meeting Stile	1

HARDWARE			
ITEM NO.	PART NUMBER	DESCRIPTION	QTY.
19	24981	Strike Backup Plate, Meeting Stile	1
20	24089, 24091	Archetype Handle, Inside, w/Gasket (SS, Blk)	1
21	26049, 25325	#8-32 FHS - B, 0.375 in, SS, (Clear, Black)	2
22	24090, 24092	Archetype Handle, Outside, w/Gasket (SS, Blk)	1

Description
X-Panel Assembly (IX) B.O.M.

File Name
Series 3070 OXIXO No Screen
Assembly

REV
A

PROPRIETARY AND CONFIDENTIAL

THE INFORMATION CONTAINED IN THIS DRAWING IS THE SOLE PROPERTY OF FLEETWOOD WINDOWS & DOORS.
ANY REPRODUCTION IN PART OR AS A WHOLE WITHOUT THE WRITTEN PERMISSION OF FLEETWOOD WINDOWS & DOORS IS PROHIBITED.

Released 4/15/2019

SHEET 8 OF 8