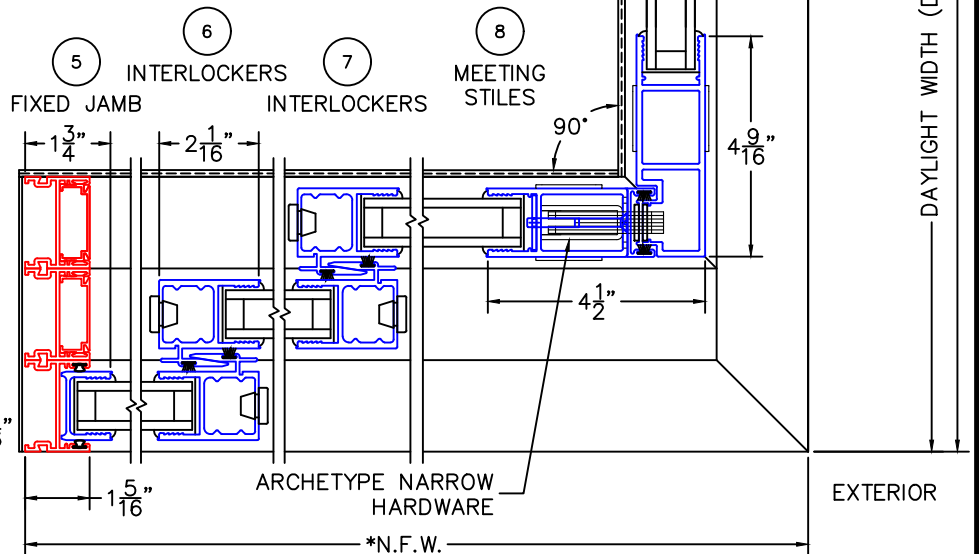
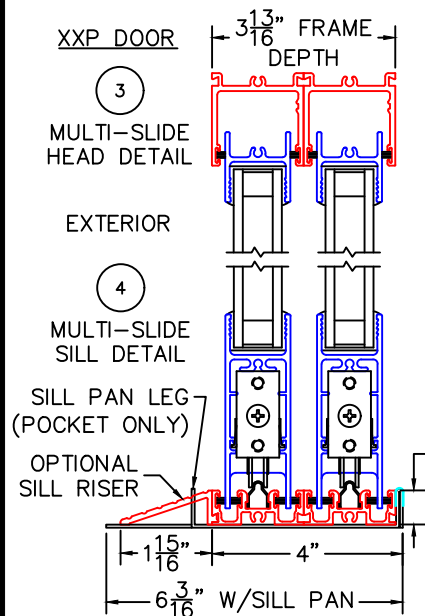
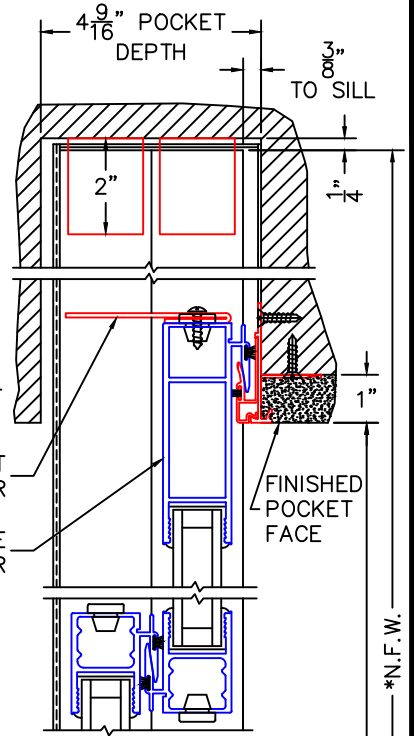
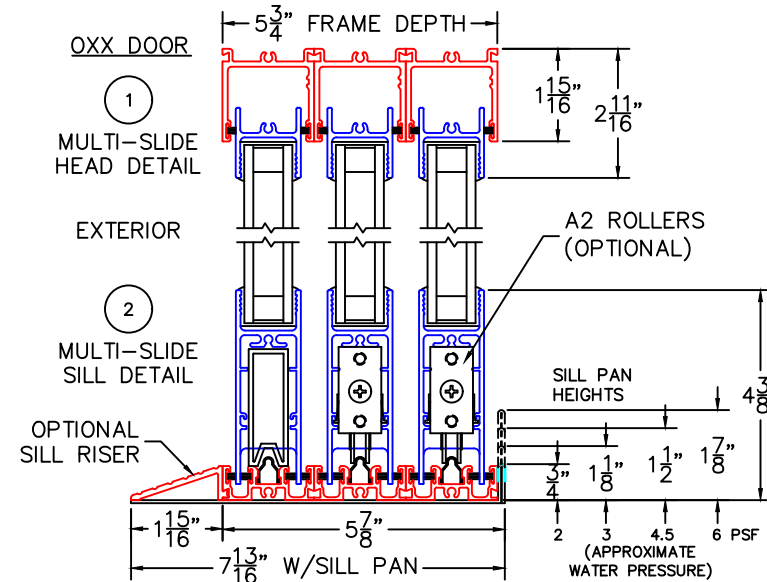


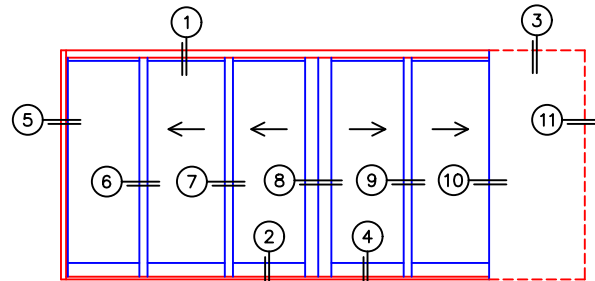
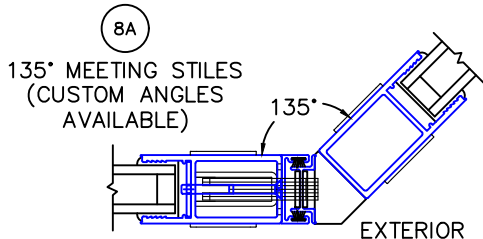
(USE RULER TO SCALE DIMENSIONS IN INCHES)

SCALE: 1/4

MULTI-SLIDE CORNER DOOR DETAILS

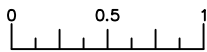


NOTE: CENTERLINES ARE NOT DIVIDED EQUALLY; CONFIRM CENTERLINES WHEN REQUIRED.



- *NET FRAME WIDTH DOES NOT INCLUDE SILL PAN.
- SILL PAN EXTENDS 1/8" BEYOND EACH JAMB.
- PLAN VIEW DOES NOT SHOW SILL RISER.
- FOR ADDITIONAL OPTIONS AND UPGRADES SEE DRAWINGS 3070-07, 3070-08 & 3070-11.

- GLASS PENETRATION: 11/16"
- EXTERIOR RATED PRODUCTS HAVE WEEP SLOTS ON HORIZONTAL SILLS.



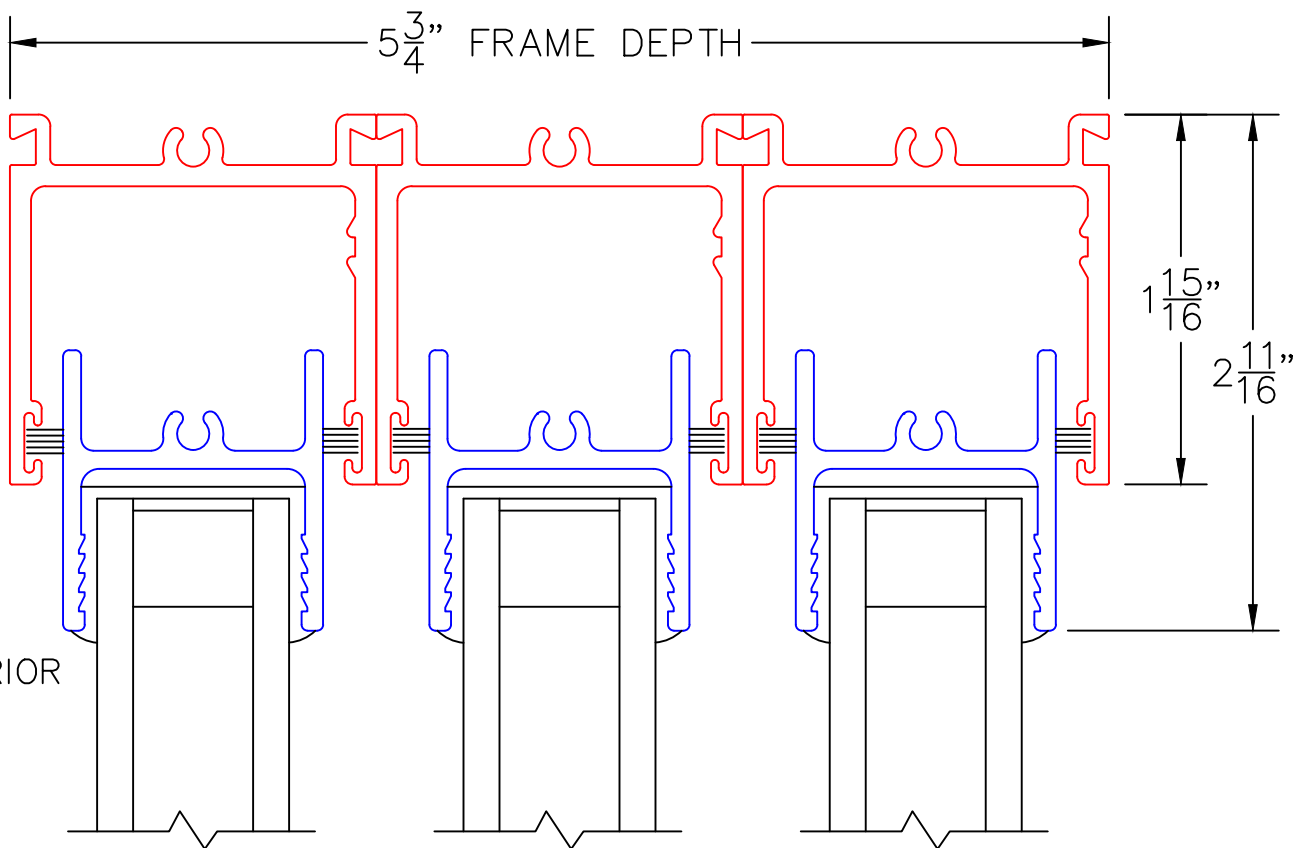
(USE RULER TO SCALE DIMENSIONS IN INCHES)

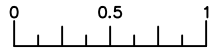
SCALE: FULL

OXX DOOR

1

MULTI-SLIDE
HEAD DETAIL

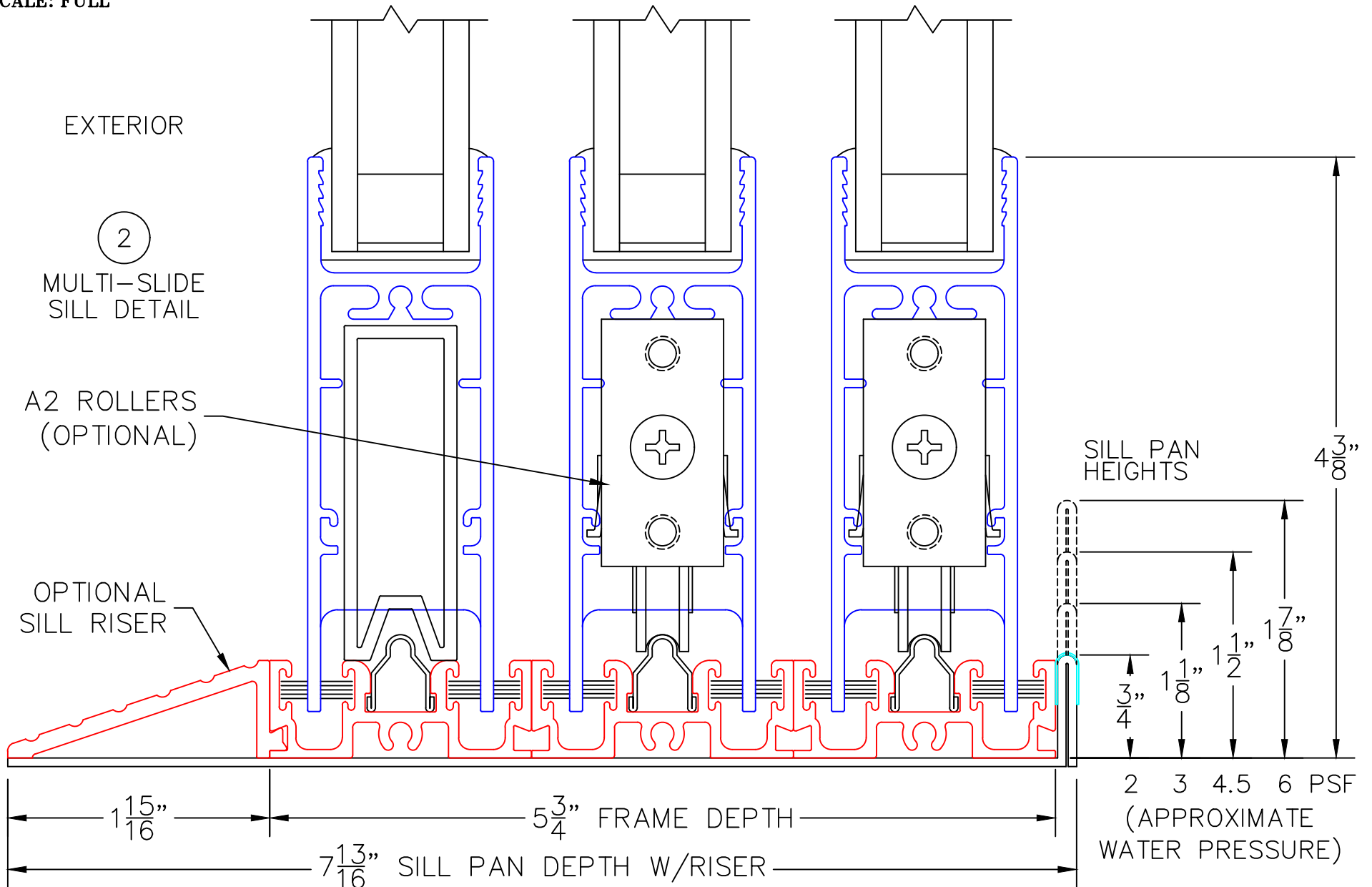


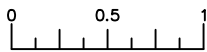


(USE RULER TO SCALE DIMENSIONS IN INCHES)

SCALE: FULL

OXX DOOR

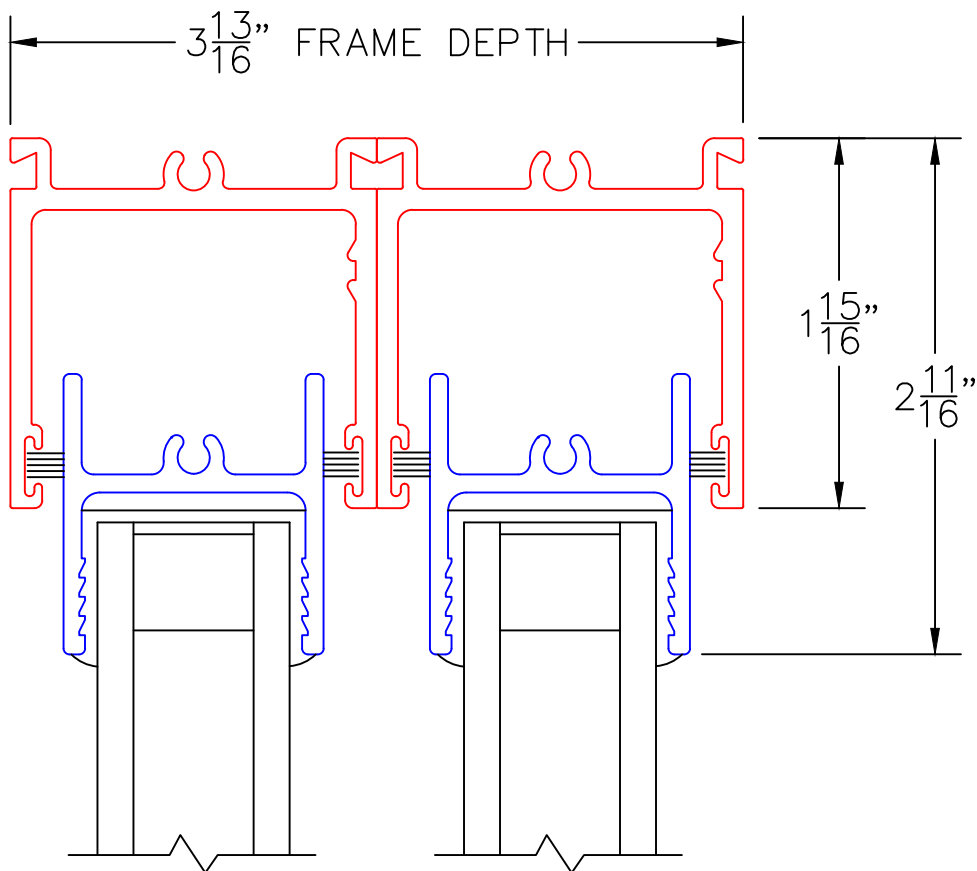


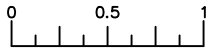


(USE RULER TO SCALE DIMENSIONS IN INCHES)

SCALE: FULL

XXP DOOR

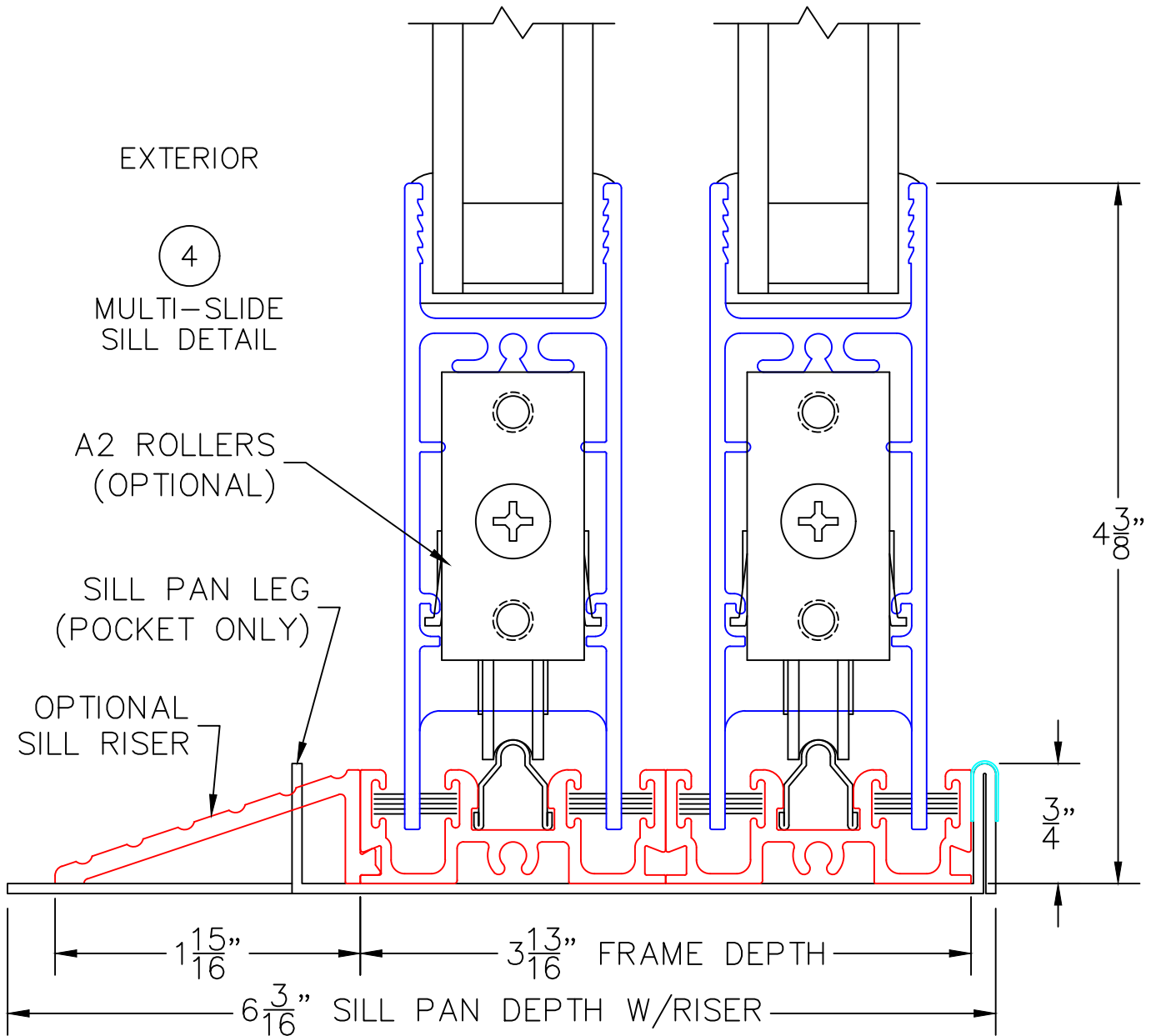


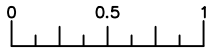


(USE RULER TO SCALE DIMENSIONS IN INCHES)

SCALE: FULL

XXP DOOR





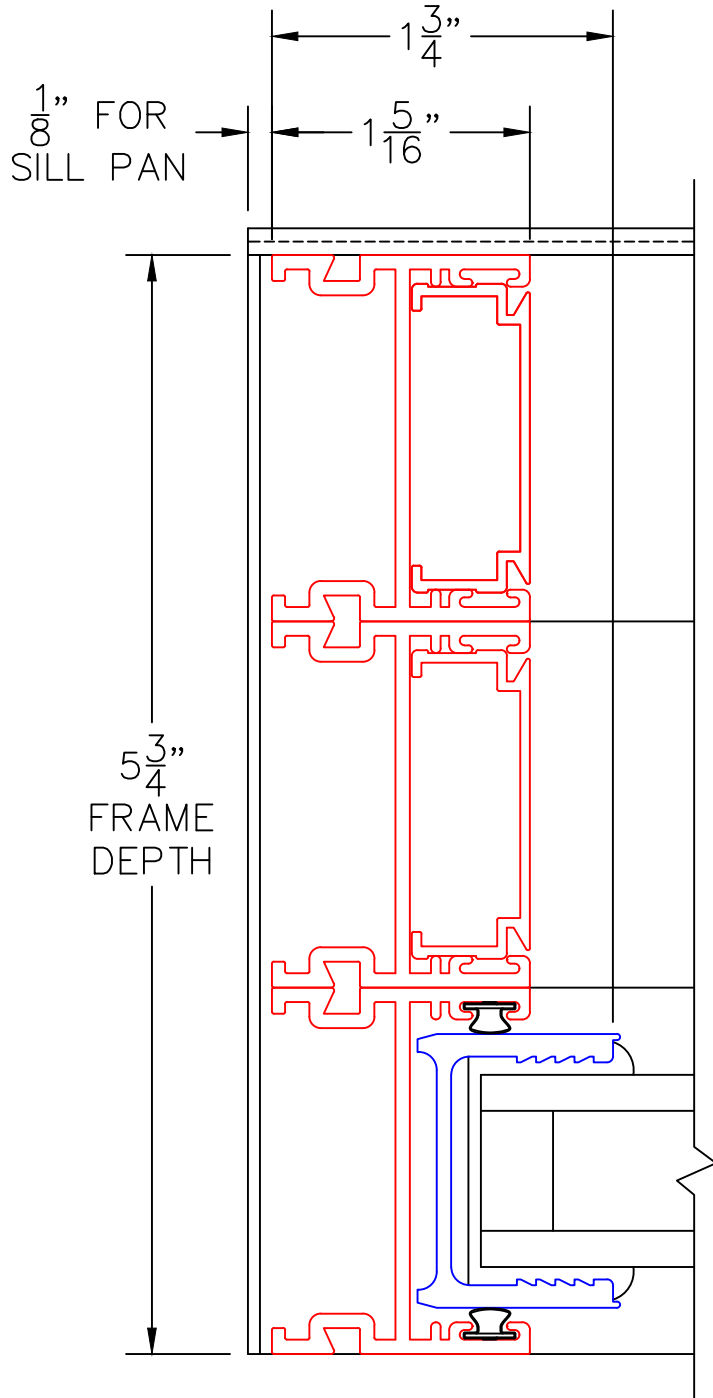
(USE RULER TO SCALE DIMENSIONS IN INCHES)

SCALE: FULL

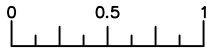
OXX DOOR

5

FIXED JAMB



EXTERIOR



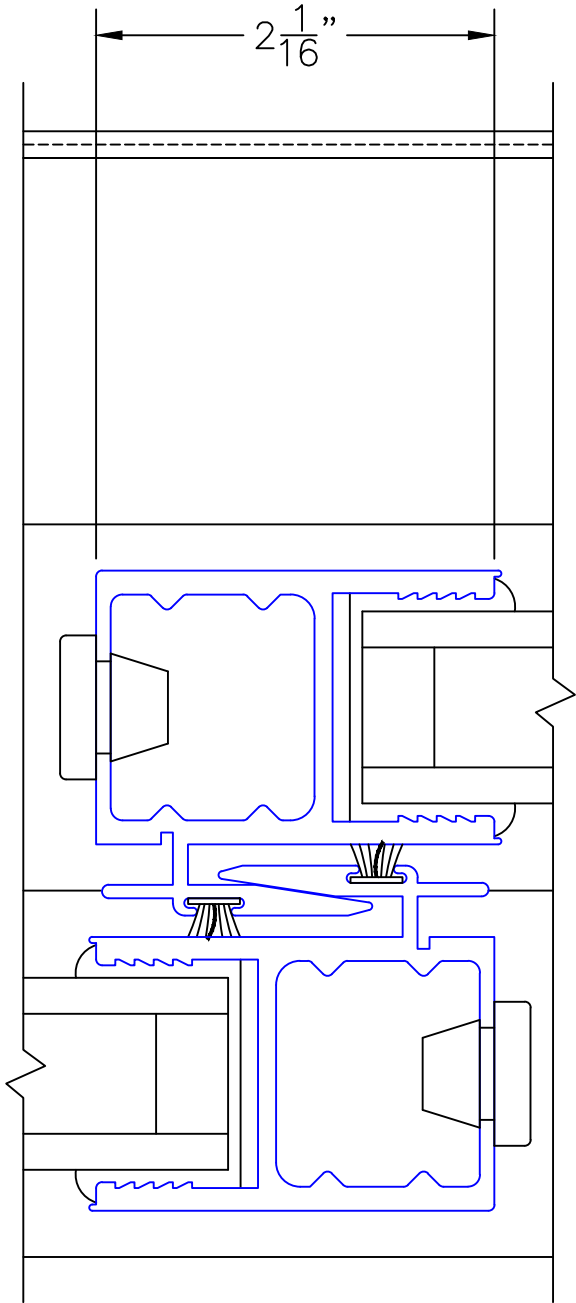
(USE RULER TO SCALE DIMENSIONS IN INCHES)

SCALE: FULL

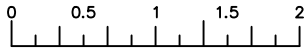
OXX DOOR

6

INTERLOCKERS



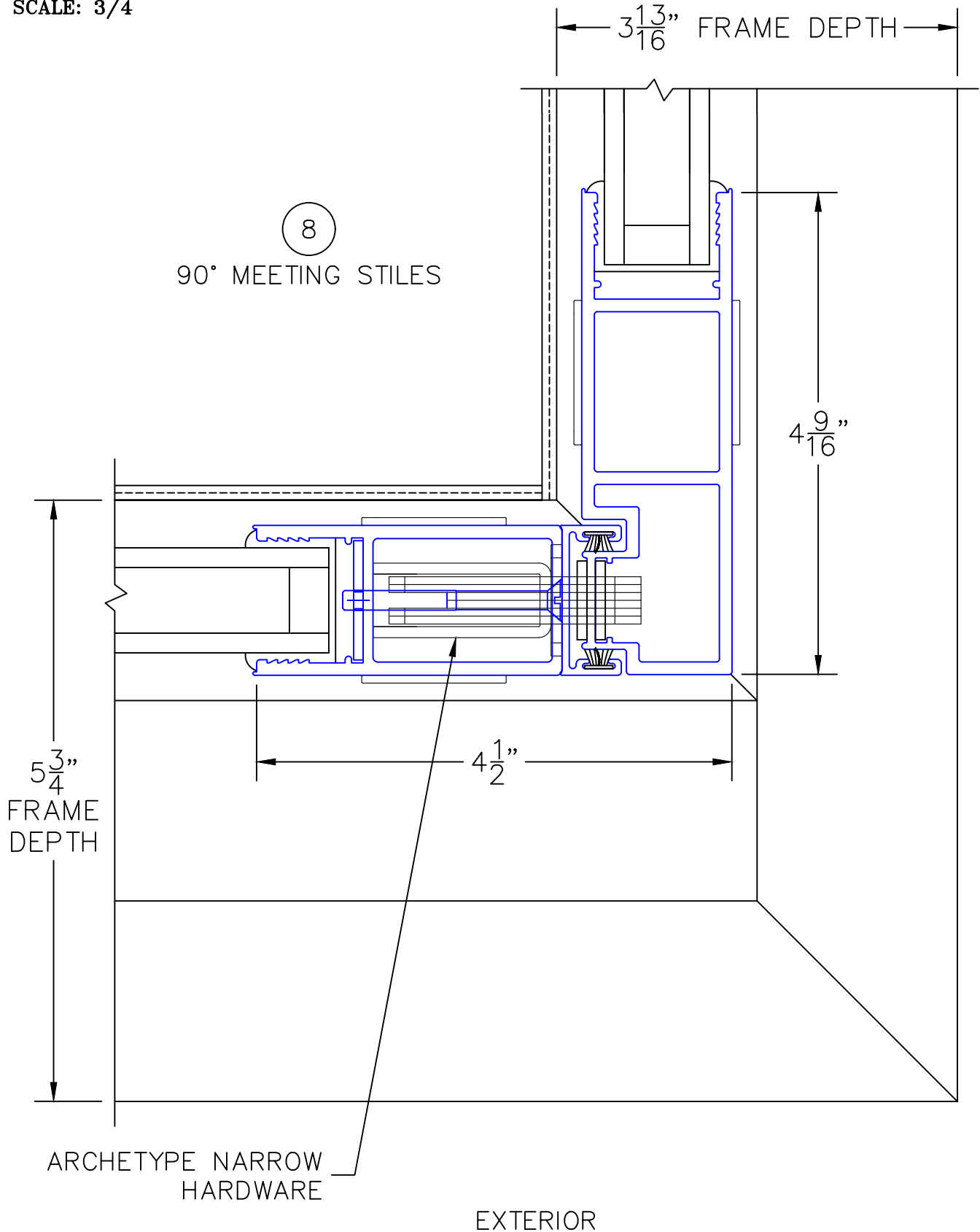
EXTERIOR

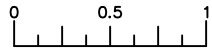


(USE RULER TO SCALE DIMENSIONS IN INCHES)

SCALE: 3/4

OXXVXXP DOOR





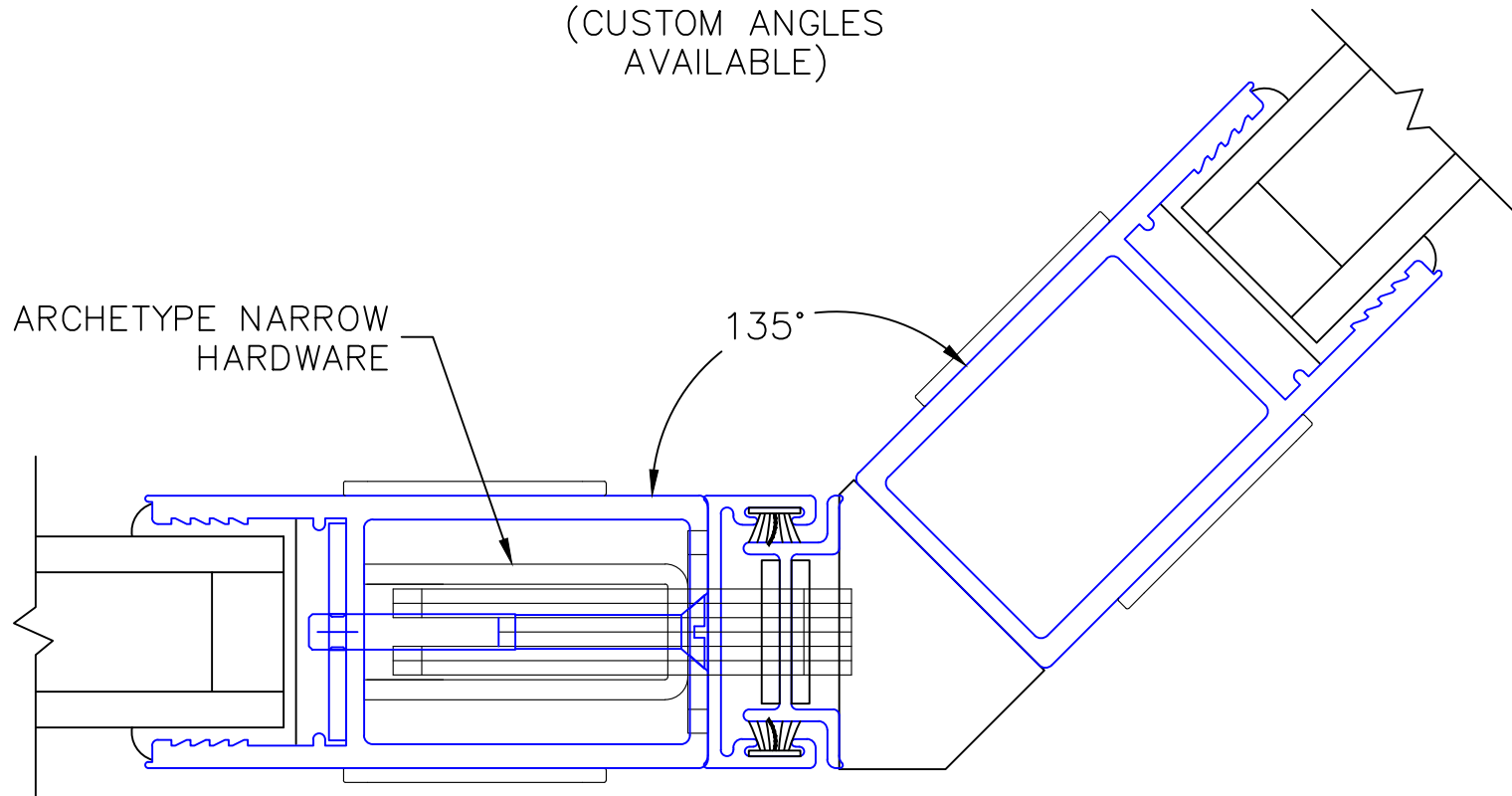
(USE RULER TO SCALE DIMENSIONS IN INCHES)

SCALE: FULL

OXXVXXP DOOR

8A

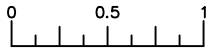
135° MEETING STILES
(CUSTOM ANGLES
AVAILABLE)



ARCHETYPE NARROW
HARDWARE

135°

EXTERIOR



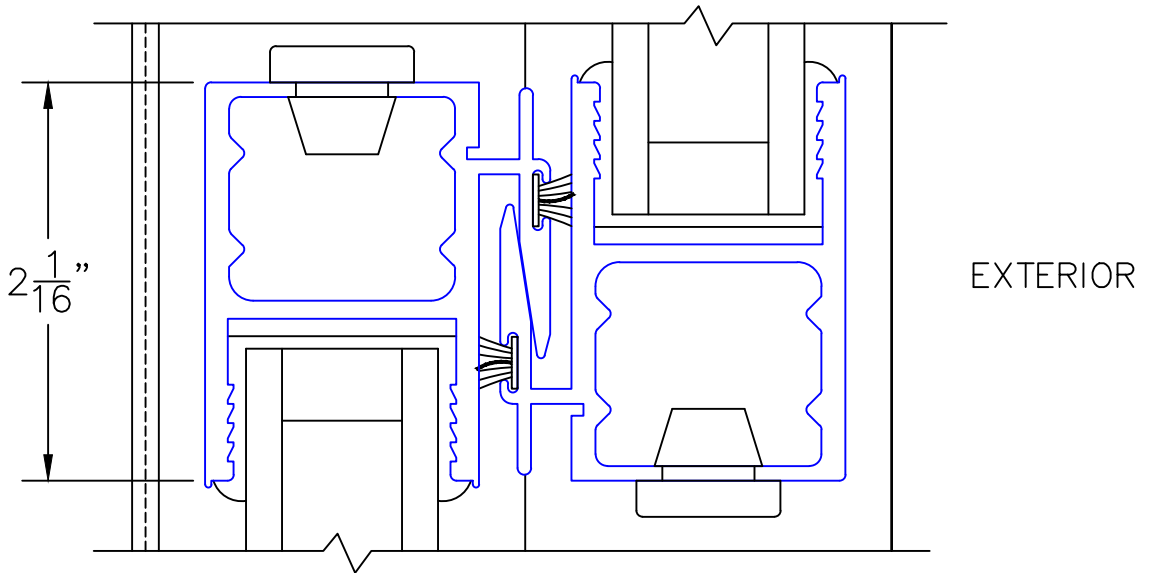
(USE RULER TO SCALE DIMENSIONS IN INCHES)

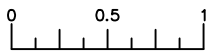
SCALE: FULL

XXP DOOR

9

INTERLOCKERS





(USE RULER TO SCALE DIMENSIONS IN INCHES)

SCALE: FULL

XXP DOOR

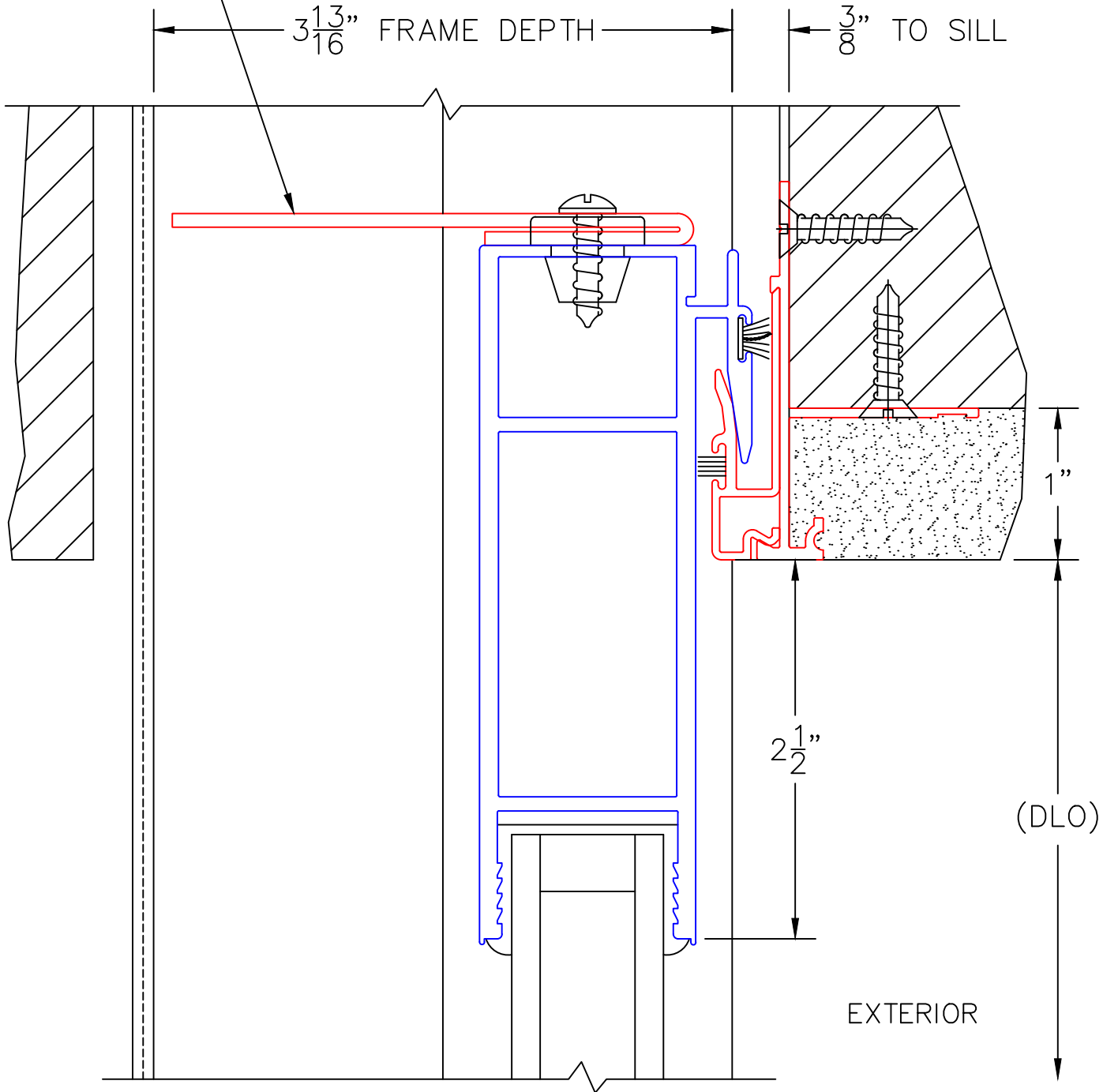
(10)

TWO-PIECE POCKET INTERLOCKER

POCKET CLOSER

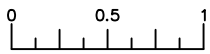
$3\frac{13}{16}$ " FRAME DEPTH

$\frac{3}{8}$ " TO SILL



(DLO)

EXTERIOR



(USE RULER TO SCALE DIMENSIONS IN INCHES)

SCALE: FULL

XXP DOOR

11

POCKET JAMB

