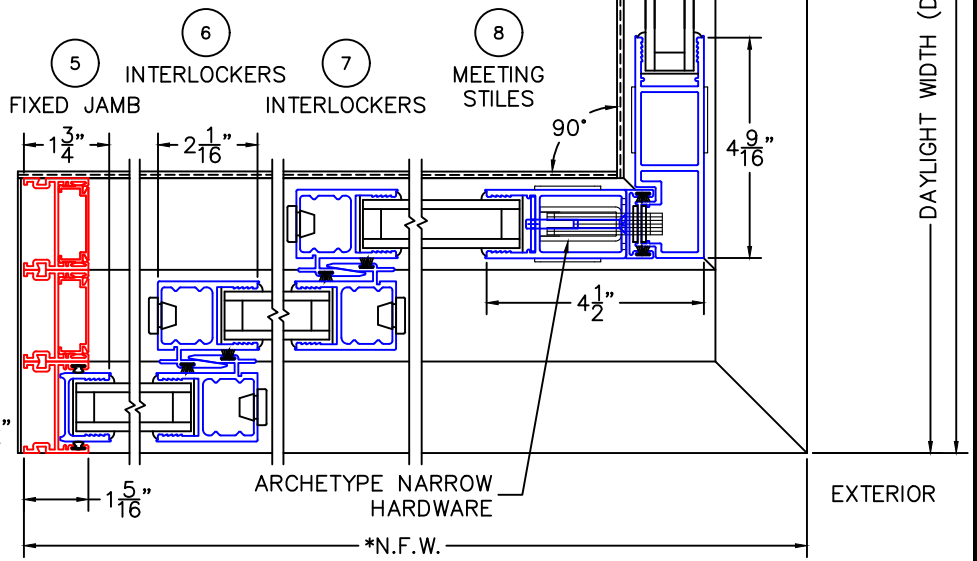
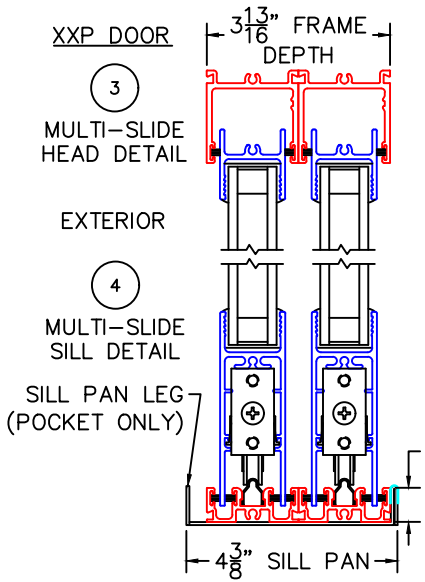
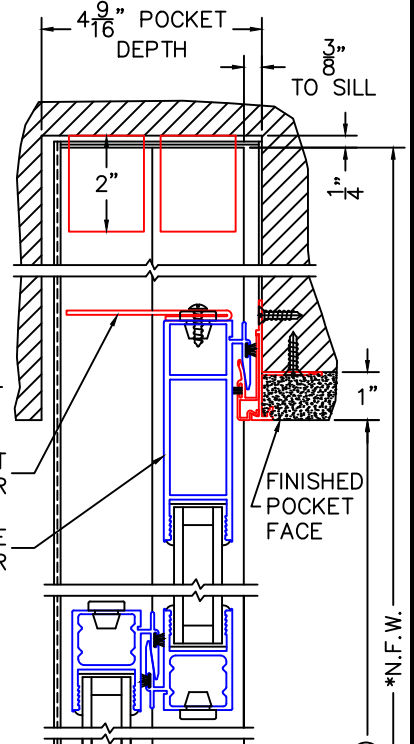
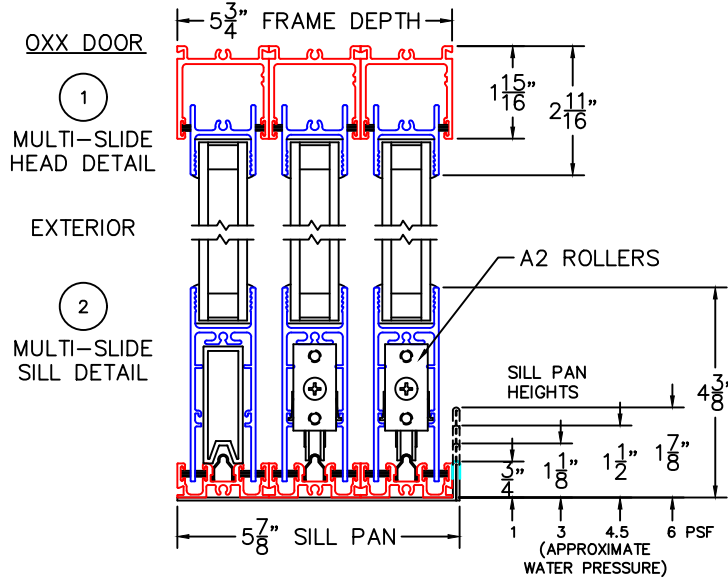
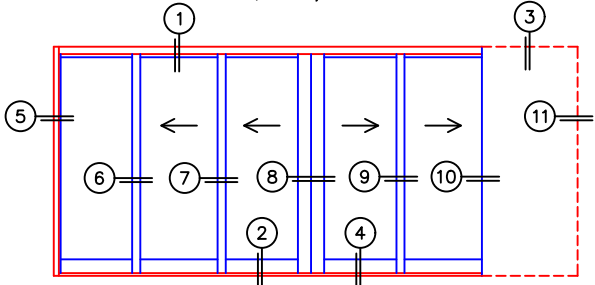
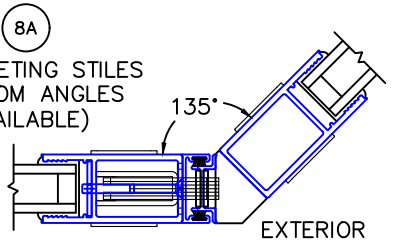


(USE RULER TO SCALE DIMENSIONS IN INCHES)  
**SCALE: 1/4**

MULTI-SLIDE CORNER DOOR DETAILS

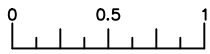


NOTE: CENTERLINES ARE NOT DIVIDED EQUALLY; CONFIRM CENTERLINES WHEN REQUIRED.



-GLASS PENETRATION: 11/16"  
-\*NET FRAME WIDTH DOES NOT INCLUDE SILL PAN.  
-SILL PAN EXTENDS 1/8" BEYOND EACH JAMB.  
-ENCLOSED PX AND XP DOORS MAY REQUIRE POCKET DEMO FOR PANEL REMOVAL.

-FOR ADDITIONAL OPTIONS AND UPGRADES SEE DRAWINGS 3070-07, 3070-08 & 3070-11.  
-EXTERIOR RATED PRODUCTS HAVE WEEP SLOTS ON HORIZONTAL SILLS.



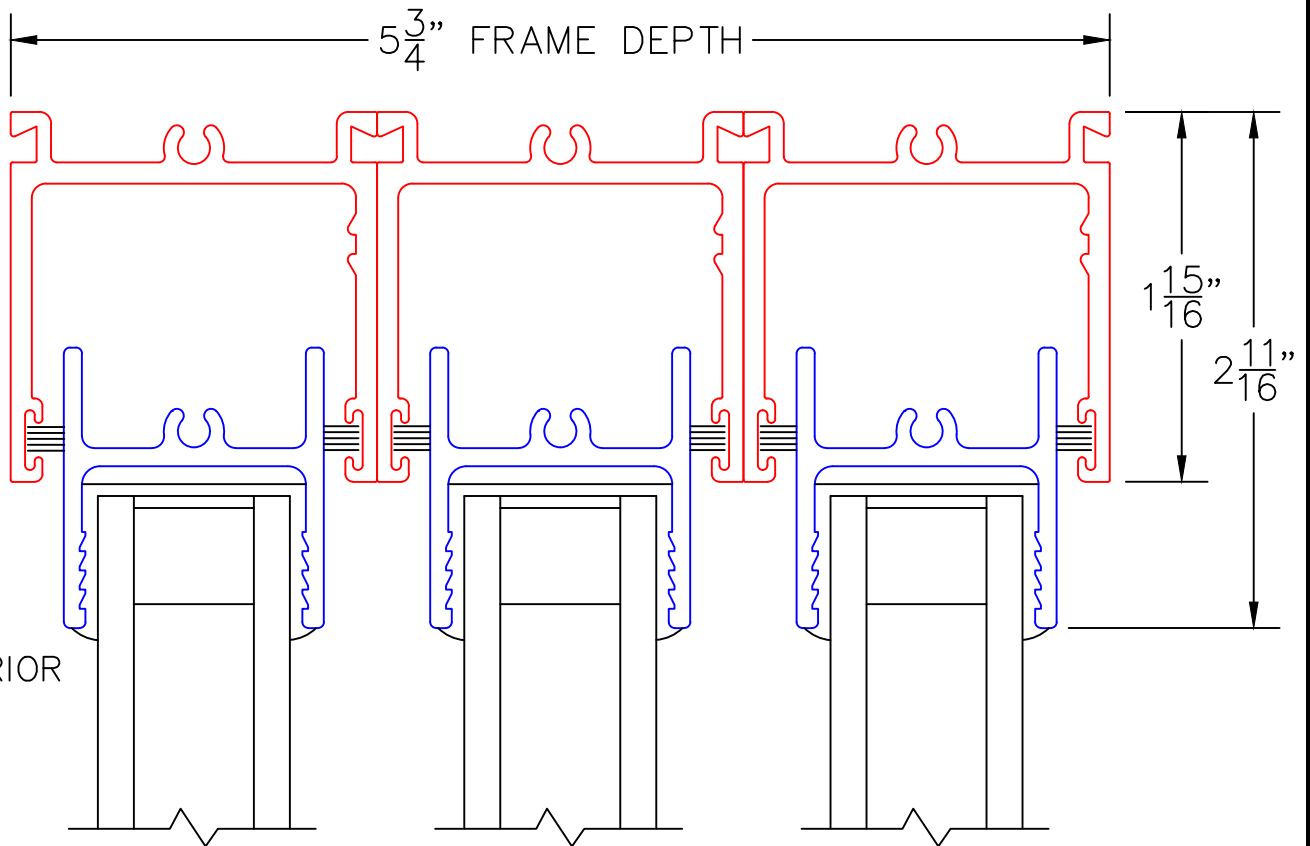
(USE RULER TO SCALE DIMENSIONS IN INCHES)

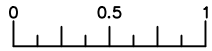
SCALE: FULL

OXX DOOR

1

MULTI-SLIDE  
HEAD DETAIL





(USE RULER TO SCALE DIMENSIONS IN INCHES)

SCALE: FULL

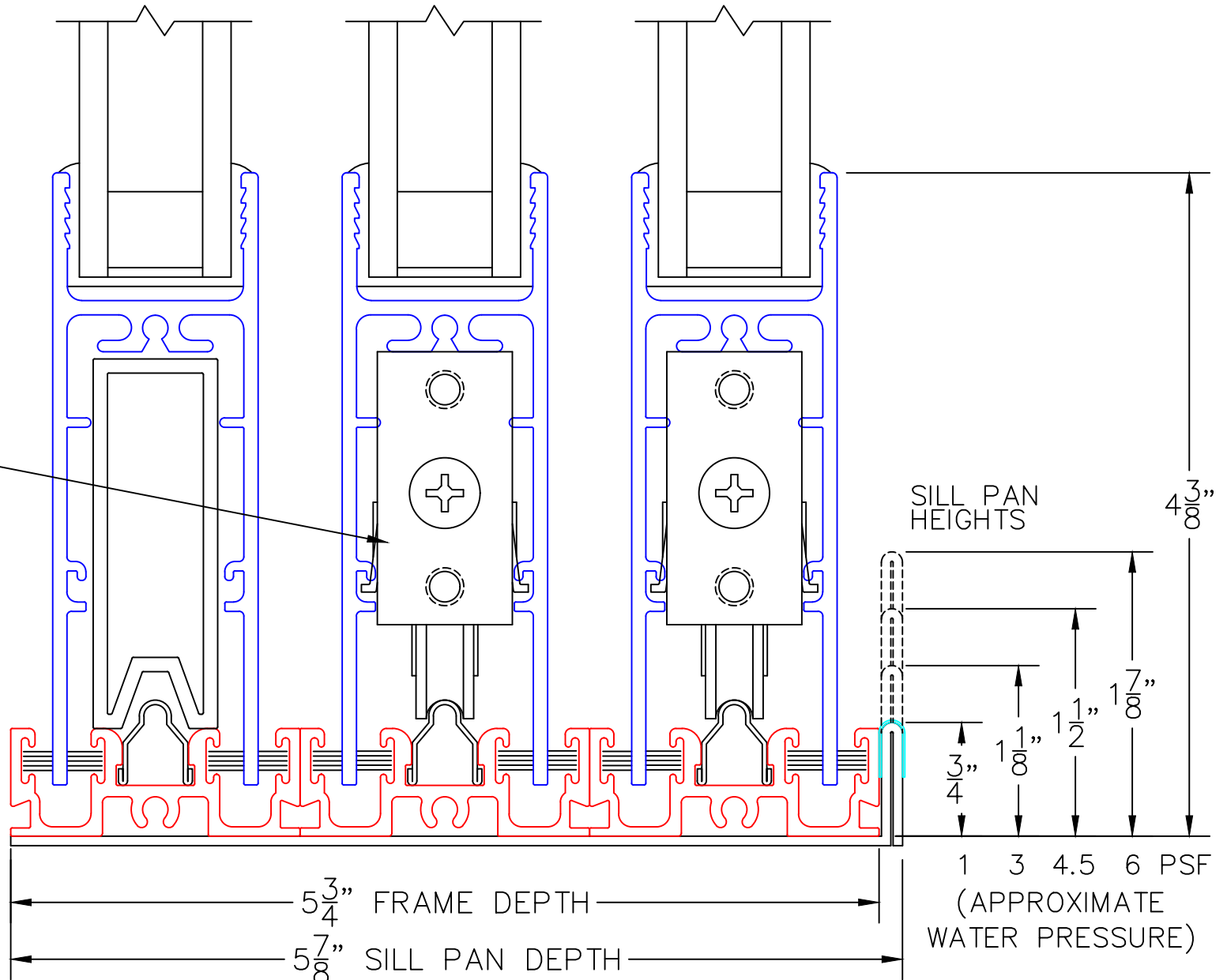
## OXX DOOR

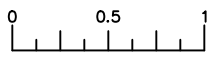
EXTERIOR

2

MULTI-SLIDE  
SILL DETAIL

A2 ROLLERS

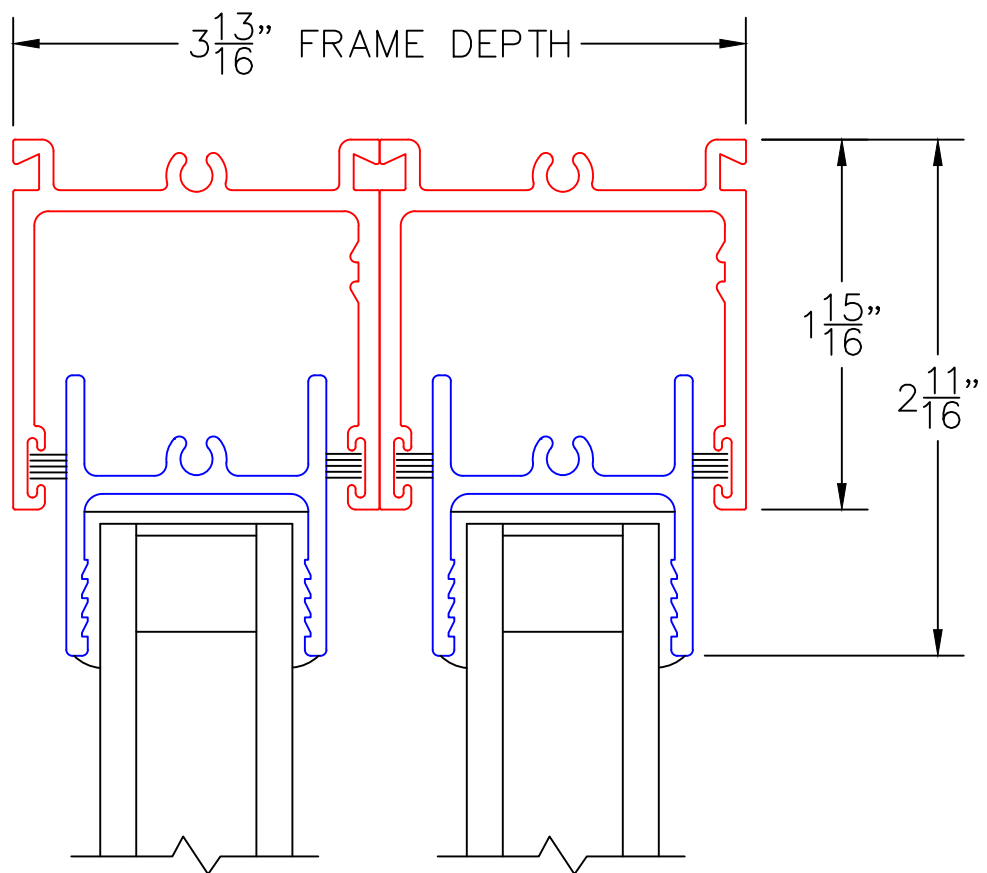


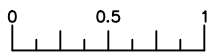


(USE RULER TO SCALE DIMENSIONS IN INCHES)

**SCALE: FULL**

XXP DOOR

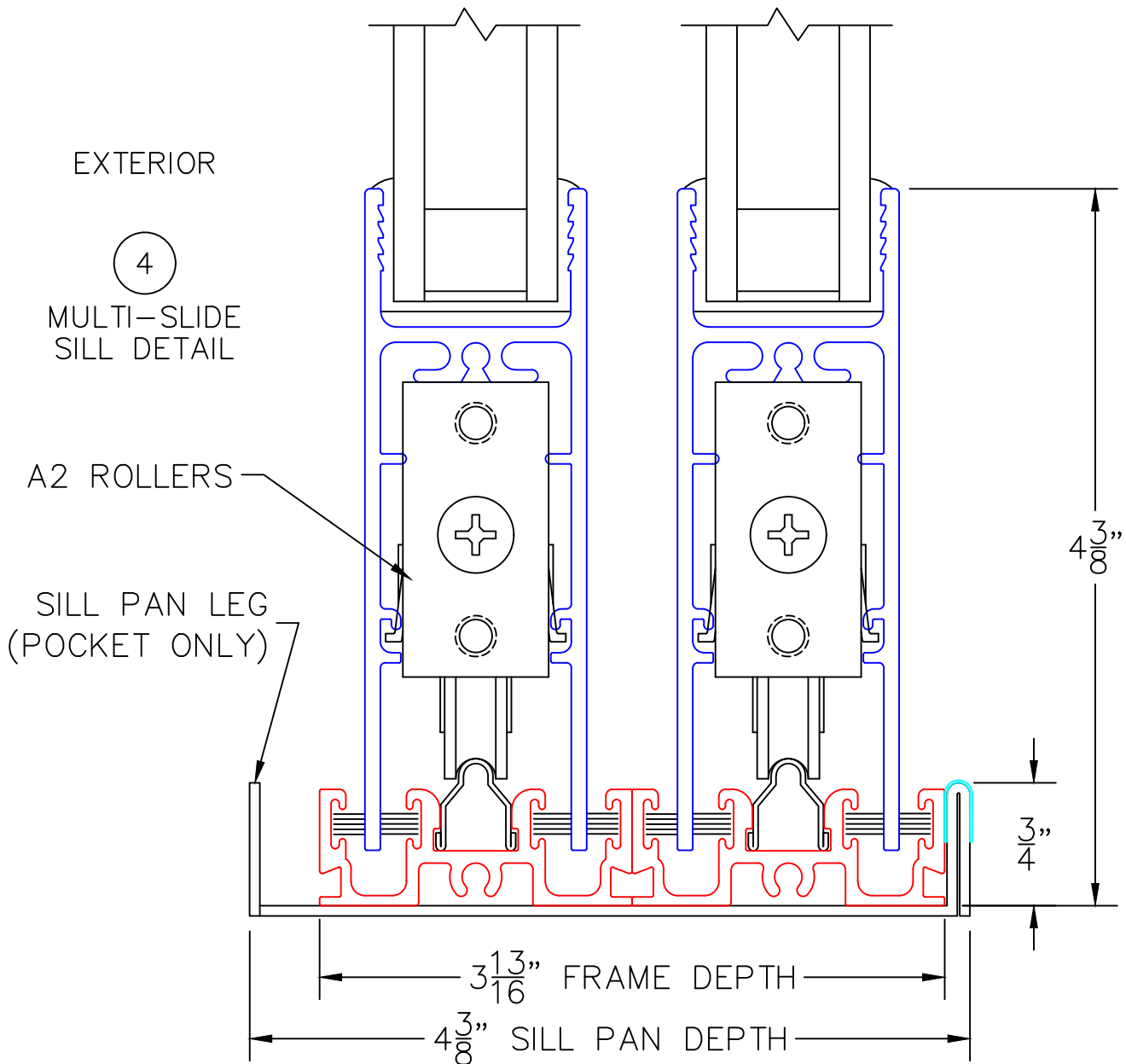


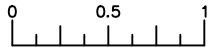


(USE RULER TO SCALE DIMENSIONS IN INCHES)

**SCALE: FULL**

XXP DOOR





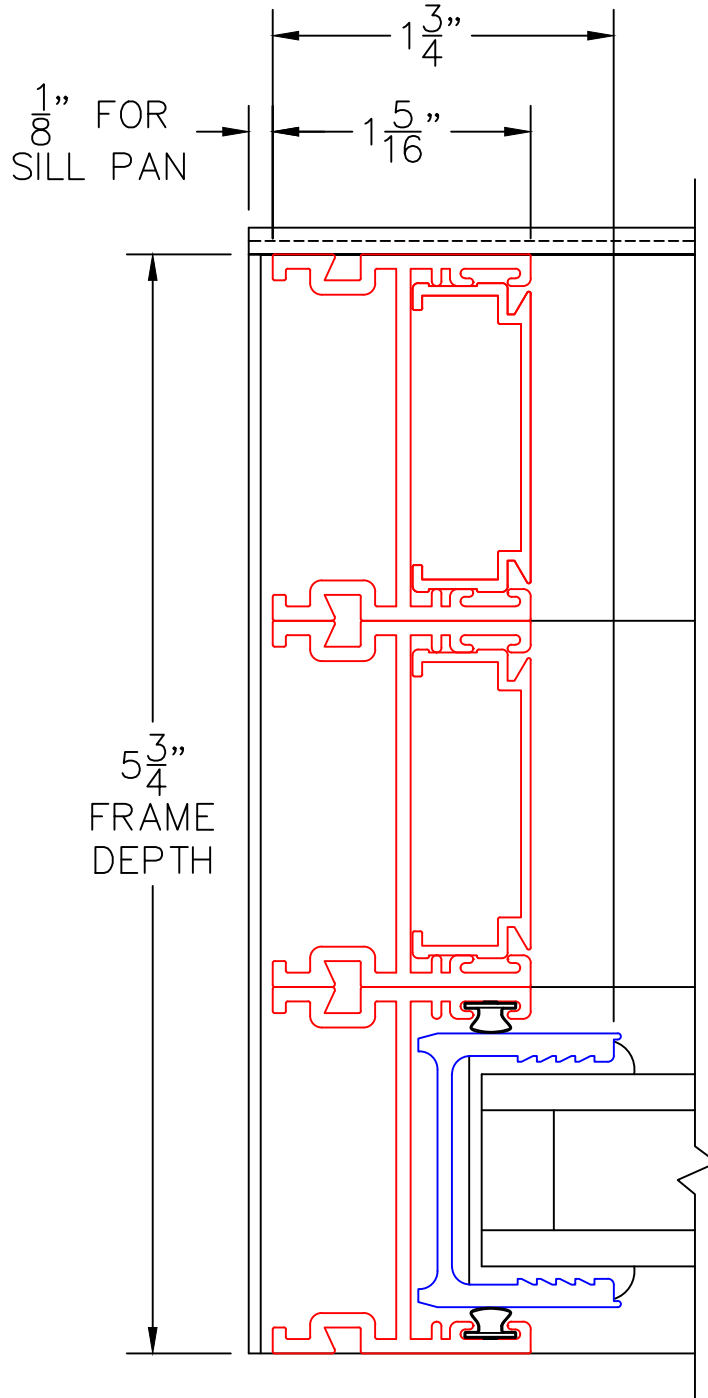
(USE RULER TO SCALE DIMENSIONS IN INCHES)

SCALE: FULL

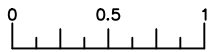
OXX DOOR

5

FIXED JAMB



EXTERIOR



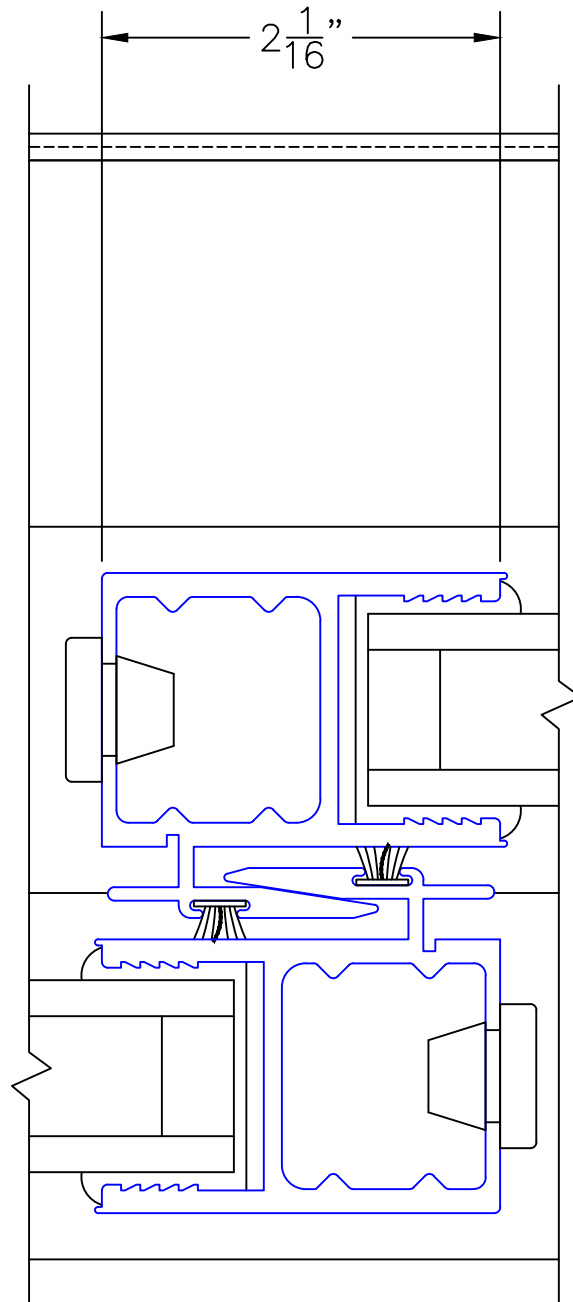
(USE RULER TO SCALE DIMENSIONS IN INCHES)

SCALE: FULL

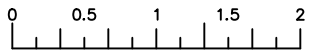
OXX DOOR

6

INTERLOCKERS



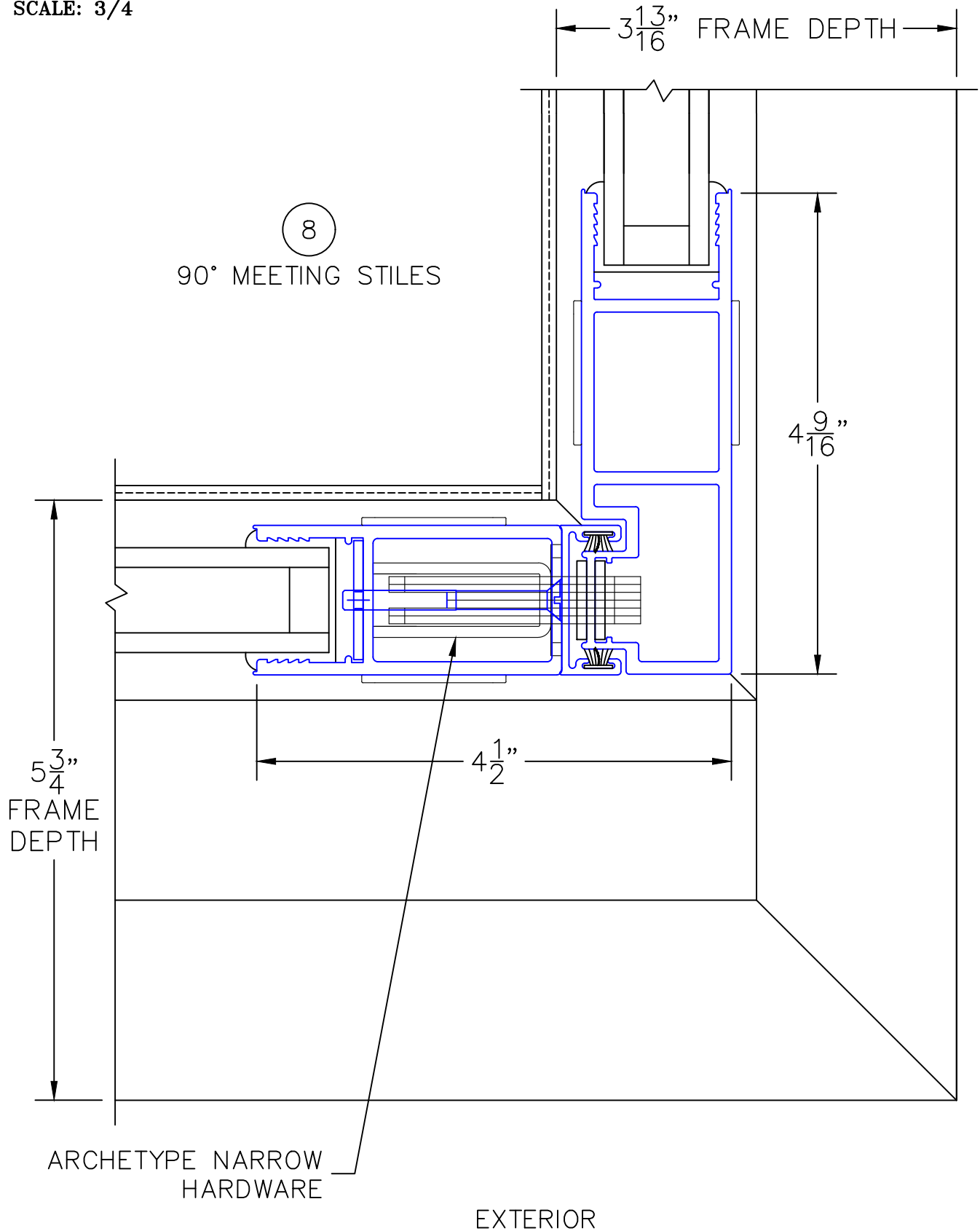
EXTERIOR



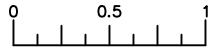
(USE RULER TO SCALE DIMENSIONS IN INCHES)

SCALE: 3/4

OXXVXXP DOOR







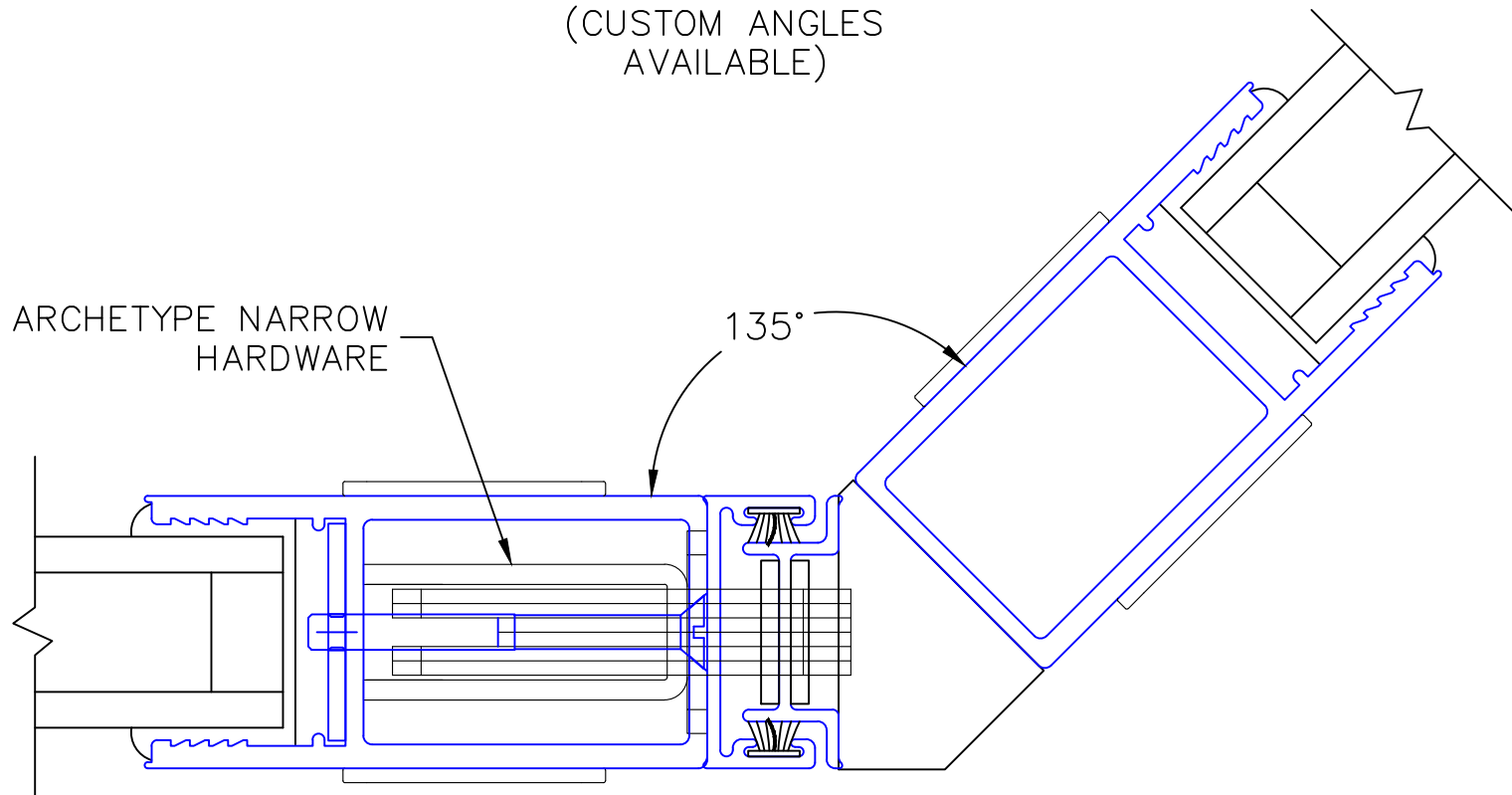
(USE RULER TO SCALE DIMENSIONS IN INCHES)

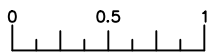
**SCALE: FULL**

## OXXVXXP DOOR

8A

135° MEETING STILES  
(CUSTOM ANGLES  
AVAILABLE)





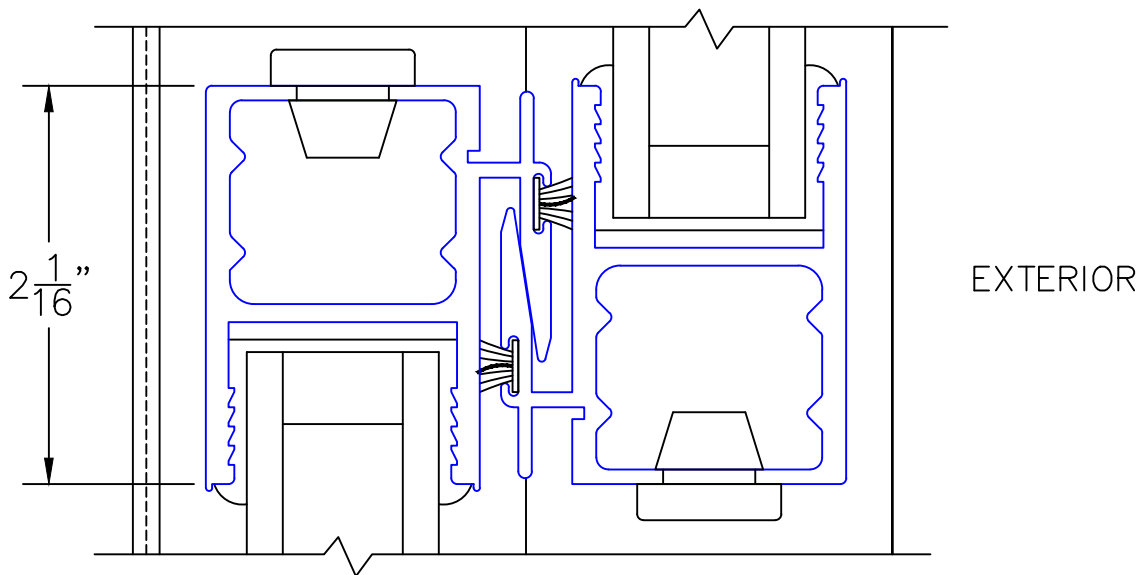
(USE RULER TO SCALE DIMENSIONS IN INCHES)

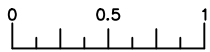
**SCALE: FULL**

XXP DOOR

9

INTERLOCKERS





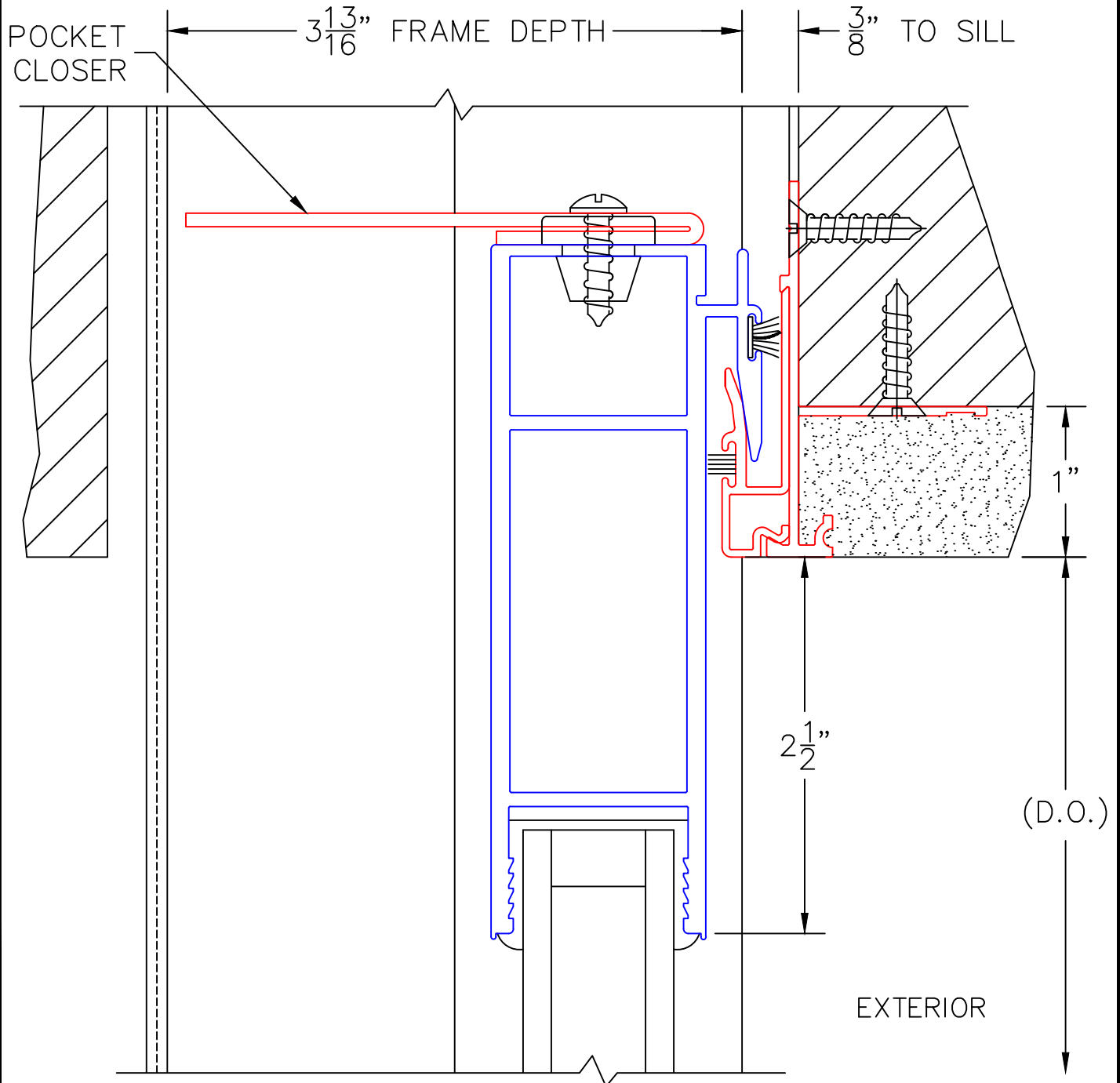
(USE RULER TO SCALE DIMENSIONS IN INCHES)

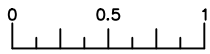
**SCALE: FULL**

XXP DOOR

10

TWO-PIECE POCKET INTERLOCKER





(USE RULER TO SCALE DIMENSIONS IN INCHES)

SCALE: FULL

XXP DOOR

11

POCKET JAMB

