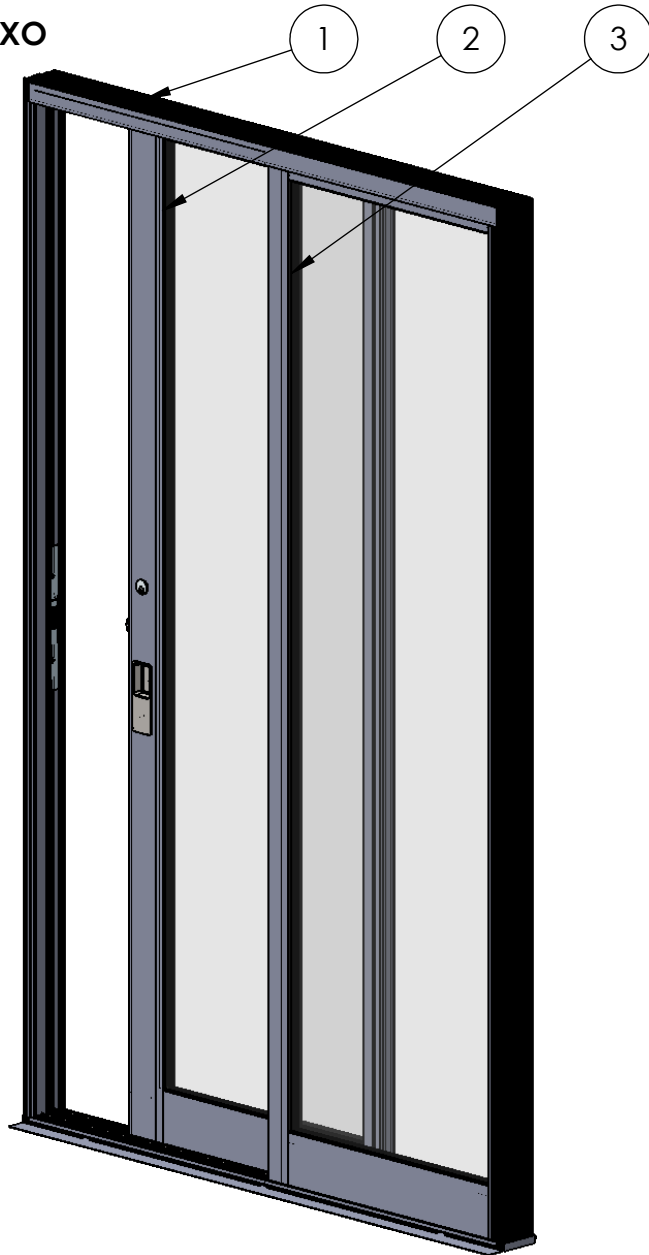


ASSEMBLY / PARTS LIST (B.O.M.)

SERIES: 3070-T
CONFIGURATION: XO

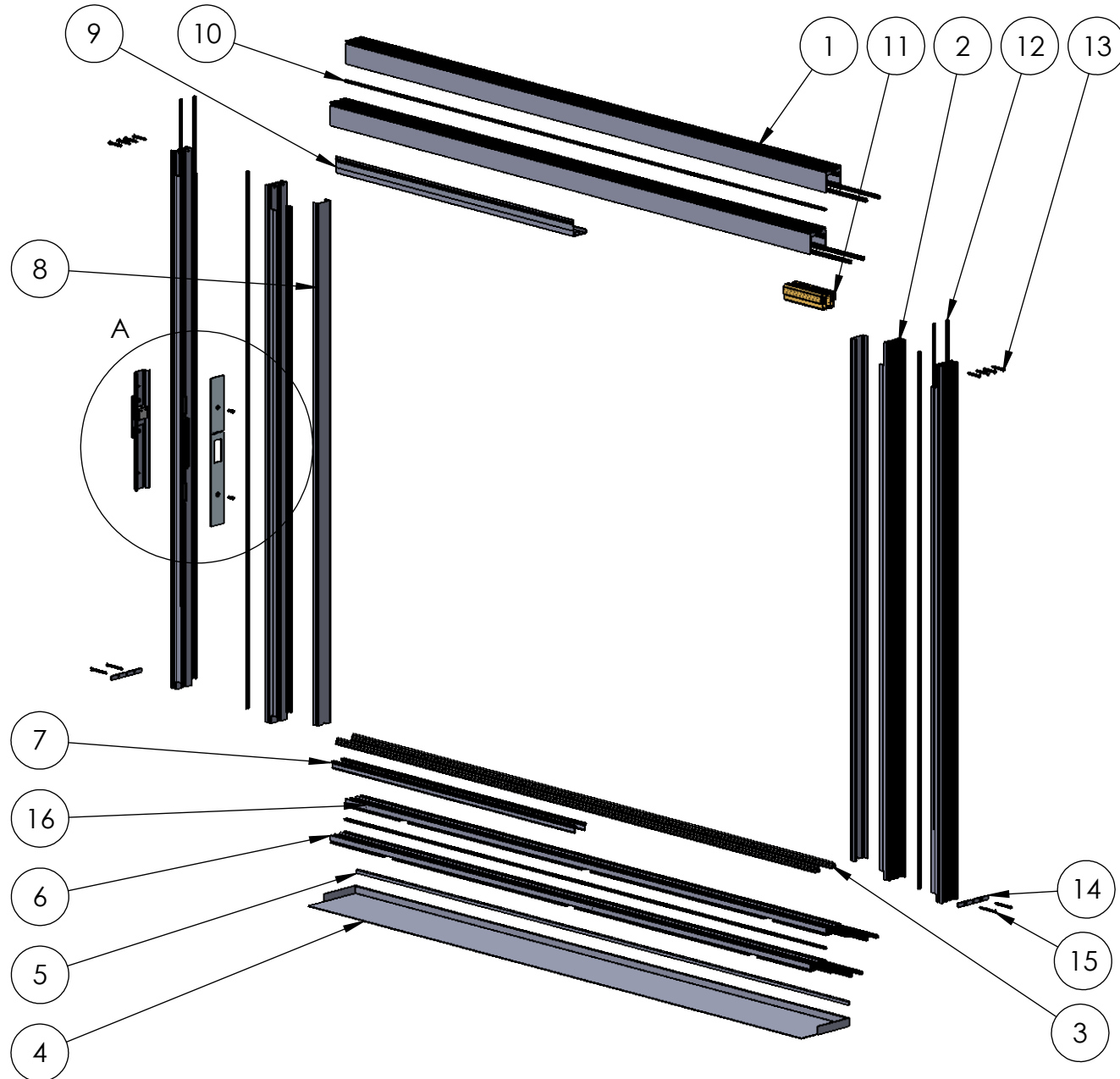


ITEM NO.	DESCRIPTION	PAGE #
1	XO Frame Assembly	2
2	X Panel Assembly	3-4
3	O Panel Assembly	5

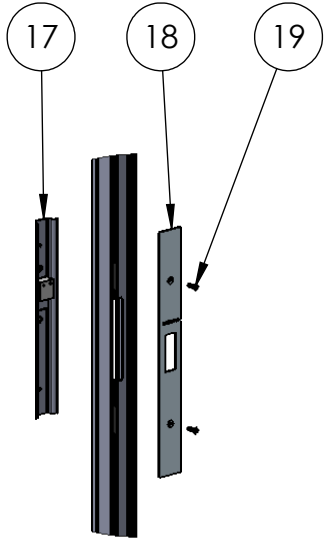
Description Table of Contents	
File Name Series 3070-T, XO No Screen Assembly	REV
Released 8/30/2017	SHEET 1 OF 6

PROPRIETARY AND CONFIDENTIAL
 THE INFORMATION CONTAINED IN THIS DRAWING IS THE SOLE PROPERTY OF FLEETWOOD WINDOWS & DOORS.
 ANY REPRODUCTION IN PART OR AS A WHOLE WITHOUT THE WRITTEN PERMISSION OF FLEETWOOD WINDOWS & DOORS IS PROHIBITED.

ASSEMBLY / PARTS LIST (B.O.M.)



NOTES:
 1: Frame Assembly scaled down to show detail.



DETAIL A
 SCALE: 1:10

PROPRIETARY AND CONFIDENTIAL
 THE INFORMATION CONTAINED IN THIS DRAWING IS THE SOLE PROPERTY OF FLEETWOOD WINDOWS & DOORS.
 ANY REPRODUCTION IN PART OR AS A WHOLE WITHOUT THE WRITTEN PERMISSION OF FLEETWOOD WINDOWS & DOORS IS PROHIBITED.

Description XO Frame Assembly	
File Name Series 3070-T, XO No Screen Assembly	REV
Released 8/30/2017	SHEET 2 OF 6



ASSEMBLY / PARTS LIST (B.O.M.)

EXTRUSIONS

ITEM NO.	PART NUMBER	DESCRIPTION	QTY.
1	3700	Head 1-Track Assembly	2
2	3711	Jamb 1-Track Assembly	4
3	FW1020	Standard Stainless Steel Track Insert .5625	2
4	3720	Sill Pan	1
5	FW1076	Sillpan Hem Cover	1
6	3749	Thermal Sill 1-Trake Assembly	2
7	3747	Sill Filler	2
8	3710	Jamb Filler	2

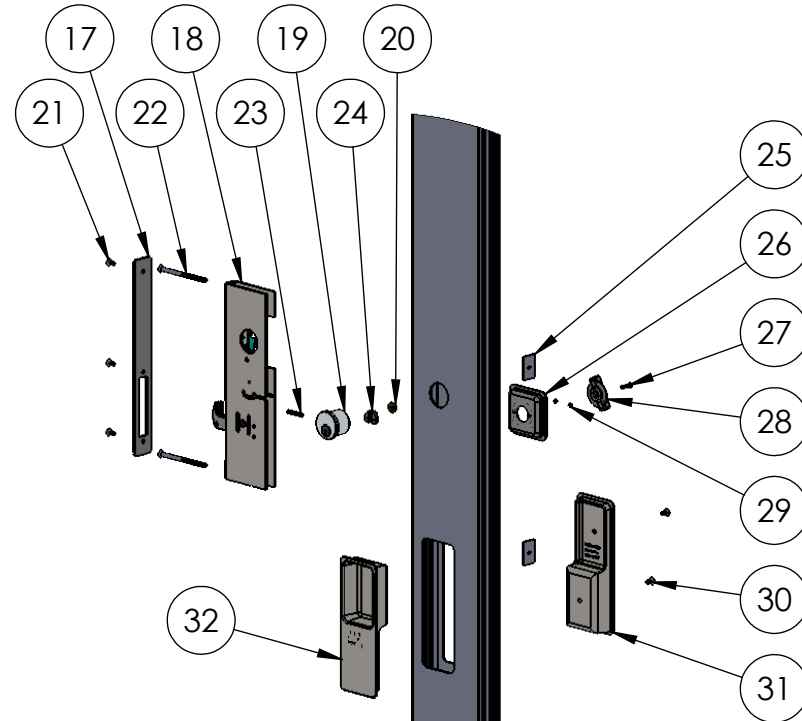
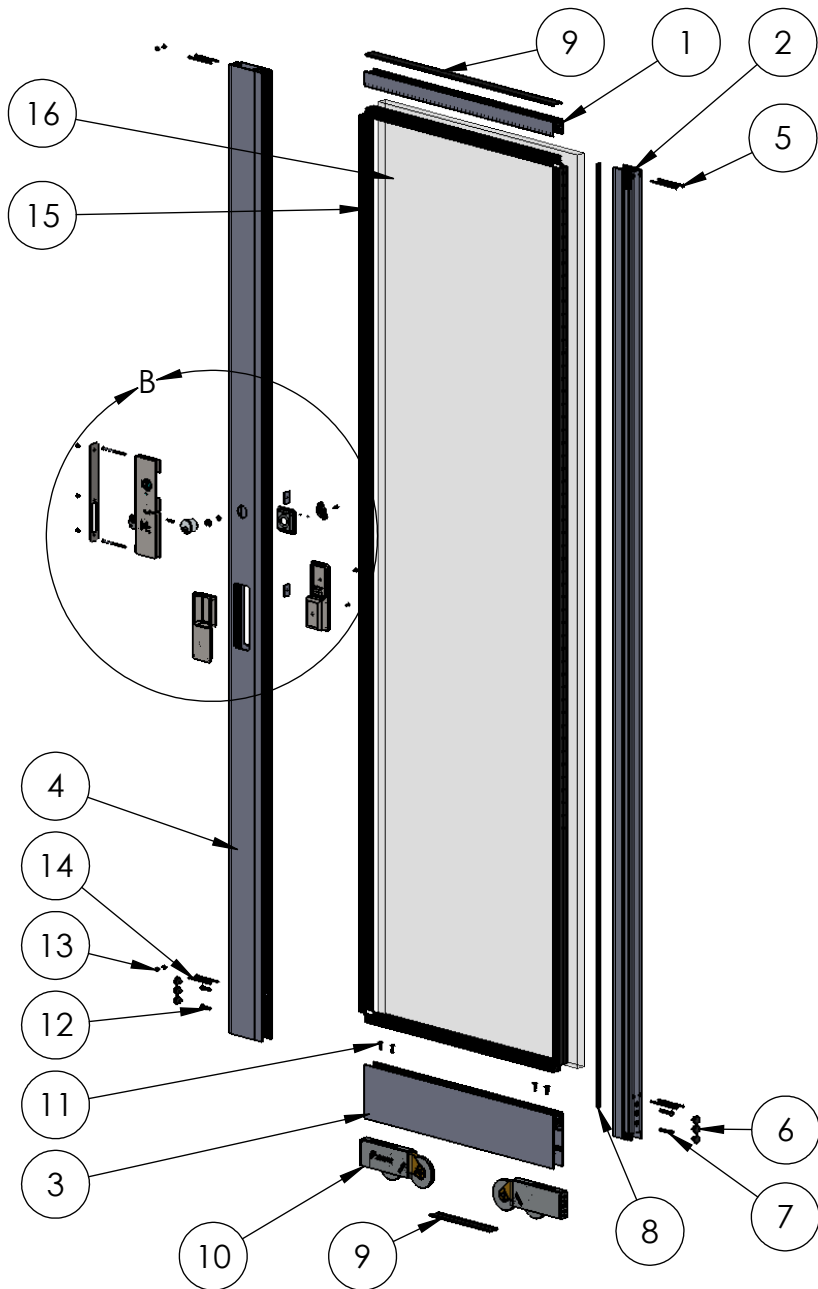
HARDWARE

ITEM NO.	PART NUMBER	DESCRIPTION	QTY.
9	3014	Head Filler/Closer	1
10	23025	MS Track Joiner	4
11	24101	Honeycomb Head Bumper	1
12	25757	Q-Lon Foam Seal (Q200T270)	4
13	20353	#10 PHP - A, 1.5 in, SS, Clear	8
14	25186	Rectangular Washer	4
15	20258	#8 FHP - A, 2 in, SS, Clear	4
16	19118	Small Fin Seal Mohair (23027045BKGB)	12
17	24790	Backup Plate Assembly	1
18	24067	Strike Plate	1
19	20278	#10-32 FHP-B-UC Screw, 0.5625 in, SS, Clear	2

Description XO Frame Assembly B.O.M.	
File Name Series 3070-T, XO No Screen Assembly	REV
Released	8/30/2017
SHEET 3 OF 6	

PROPRIETARY AND CONFIDENTIAL
 THE INFORMATION CONTAINED IN THIS DRAWING IS THE SOLE PROPERTY OF FLEETWOOD WINDOWS & DOORS.
 ANY REPRODUCTION IN PART OR AS A WHOLE WITHOUT THE WRITTEN PERMISSION OF FLEETWOOD WINDOWS & DOORS IS PROHIBITED.

ASSEMBLY / PARTS LIST (B.O.M.)



PROPRIETARY AND CONFIDENTIAL
THE INFORMATION CONTAINED IN THIS DRAWING IS THE SOLE PROPERTY OF FLEETWOOD WINDOWS & DOORS.
ANY REPRODUCTION IN PART OR AS A WHOLE WITHOUT THE WRITTEN PERMISSION OF FLEETWOOD WINDOWS & DOORS IS PROHIBITED.

Description X Panel Assembly	
File Name Series 3070-T, XO No Screen Assembly	REV
Released 8/30/2017	SHEET 4 OF 6

ASSEMBLY / PARTS LIST (B.O.M.)

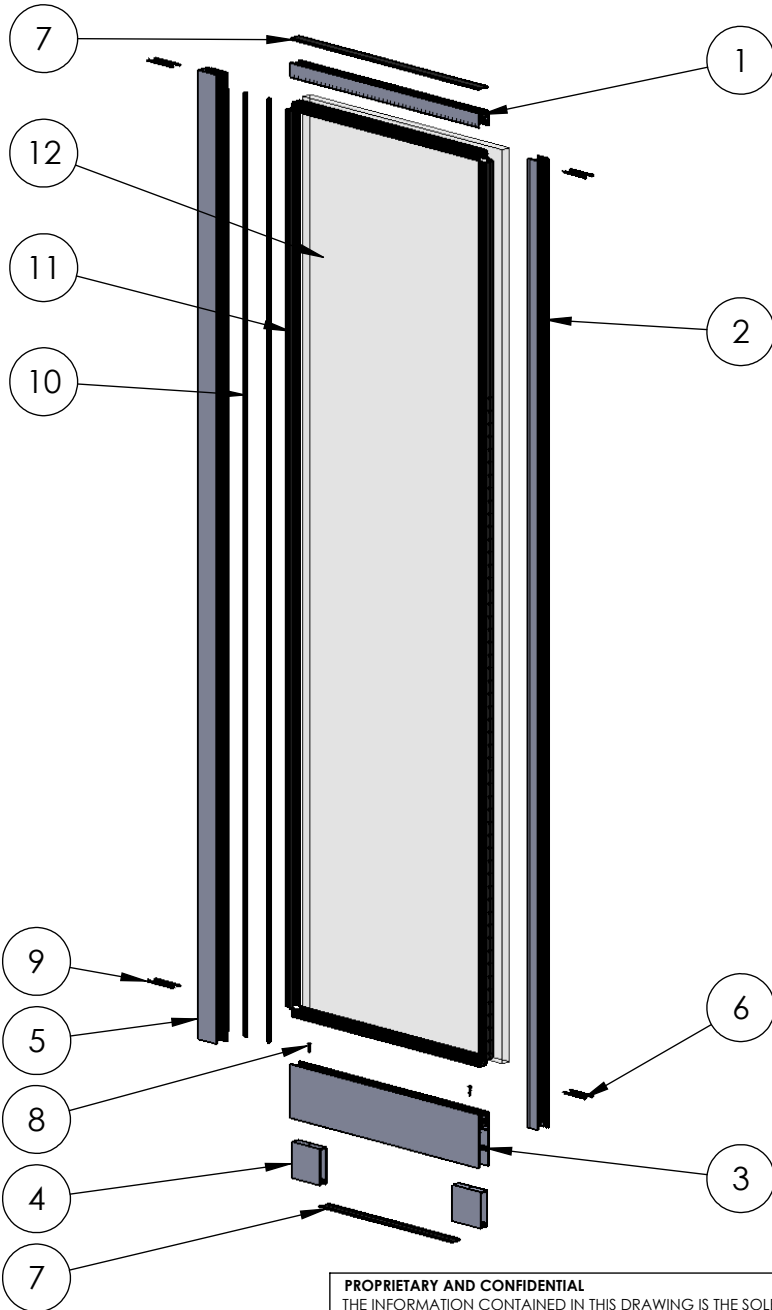
EXTRUSIONS			
ITEM NO.	PART NUMBER	DESCRIPTION	QTY.
1	3075	Thermal Top Rail DG	1
2	3727	Thermal Interlock Sliding Assembly	1
3	3310	Thermal Bottom Rail	1
4	3776	Thermal Lock Stile (Archetype)	1

HARDWARE			
ITEM NO.	PART NUMBER	DESCRIPTION	QTY.
5	25483	#8 FHP - A, 3.5 in, SS, Clear	4
6	20635	Small Round Panel Plug (All Doors)	6
7	25724	1/4-20 PHP - B, 1.5 in, SS, Clear	2
8	19117	Large Fin Seal Mohair (29027045BKGB)	1
9	22938	PVC Rail Spreader, BL798	2
10	18883	A3 Roller, Precision - Tandem	2
11	20305	#1/4-20 FHP - B, 3/4", SS Clear	4
12	20359	1/4-20 PHP - B, 1 in, SS, Clear	2
13	25907	Thermal Plug	4
14	20332	#8 PHP - A, 3 in, SS, Clear	4
15	22909	1 inch Glazing Vinyl (Shown)	1
16	-	Glass	1
17	24075	117-311, Archetype Primary Latch(Face) Plate, Cover	1
18	24077	Archetype XO Primary Latch, RH Latch	1
19	25356, 24782	Archetype Keyed Cylinder (SS) (KA,KD) (with Cam/Bushing/Screw)	1
20	24781	Brass Bushing - Key Cylinder Reg. Arch.	1
21	24076	#8-32 FHS, 3/8" Long, Hex Countersunk Screw (Stainless Steel)	3
22	25729	#10-32 FHP, 3, SS, Clear	2

EXTRUSIONS			
ITEM NO.	PART NUMBER	DESCRIPTION	QTY.
23	24935	#8-32 x 1" Set Screw (Reg. arch. Cyl.)	1
24	24780	Cam - (for the Archetype Key Cylinder)	1
25	18671	Back Up Plate # 10-32 x 0.075 Thk.	2
26	24767	Archetype Actuator Pocket, XO, SS	1
27	24072, 24094	#6-32, Hex Socket Head Cap, Self Locking, 1/2", SS (Clear, Black)	1
28	24079, 24766	Archetype Actuator (Black, SS)	1
29	24074	#4-40 FHP, UC, 1/8", SS, Clear	2
30	25324, 25325	#8-32 FHS - B, 0.375 in, SS, (Clear, Black)	2
31	24089, 24091	Archetype Handle, Inside, with Gasket (117-338)	1
32	24090, 24092	Archetype Handle, Outside, with Gasket (117-338)	1

Description X Panel Assembly B.O.M.	
File Name Series 3070-T, XO No Screen Assembly	REV
Released	8/30/2017
SHEET 5 OF 6	

ASSEMBLY / PARTS LIST (B.O.M.)



EXTRUSIONS

ITEM NO.	PART NUMBER	DESCRIPTION	QTY.
1	3075	Thermal Top Rail DG	1
2	3073	Fixed Stile DG	1
3	3310	Thermal Bottom Rail	1
4	3762	Setting Block - Mammoth Rail, Fixed Panel	2
5	3728	Thermal Interlocker Fixed Assembly	1

HARDWARE

ITEM NO.	PART NUMBER	DESCRIPTION	QTY.
6	20332	#8 PHP - A, 3 in, SS, Clear	4
7	22938	PVC Rail Spreader, BL798	2
8	20293	#10 FHP-A, 1", SS, Clear	2
9	25483	#8 FHP - A, 3.5 in, SS, Clear	4
10	19117	Large Fin Seal Mohair (29027045BKGB)	2
11	22909	1 inch Glazing Vinyl (Shown)	1
12	-	Glass	1

Description O Panel Assembly	
File Name Series 3070-T, XO No Screen Assembly	REV
Released 8/30/2017	SHEET 6 OF 6

PROPRIETARY AND CONFIDENTIAL
 THE INFORMATION CONTAINED IN THIS DRAWING IS THE SOLE PROPERTY OF FLEETWOOD WINDOWS & DOORS.
 ANY REPRODUCTION IN PART OR AS A WHOLE WITHOUT THE WRITTEN PERMISSION OF FLEETWOOD WINDOWS & DOORS IS PROHIBITED.