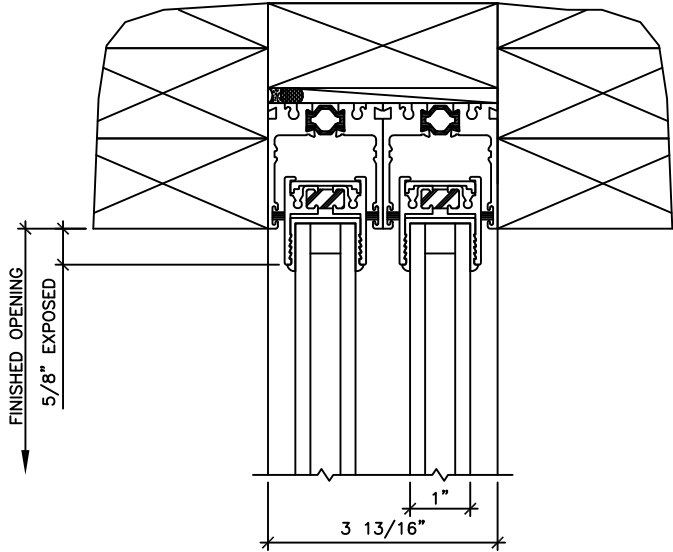
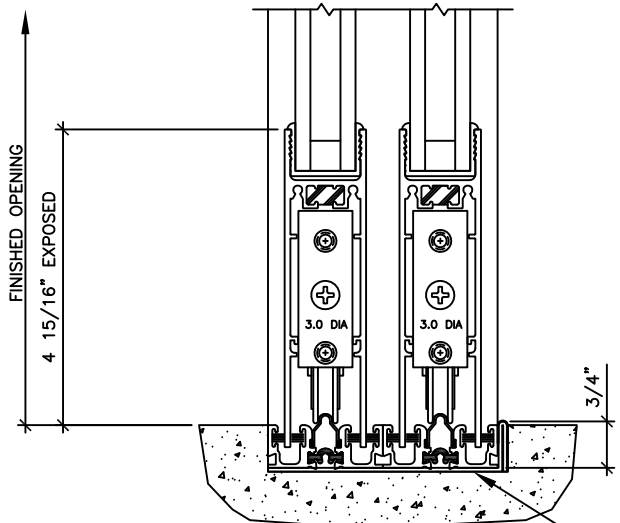


3070-T CONCEPT WALL CONDITIONS_OPTION 2



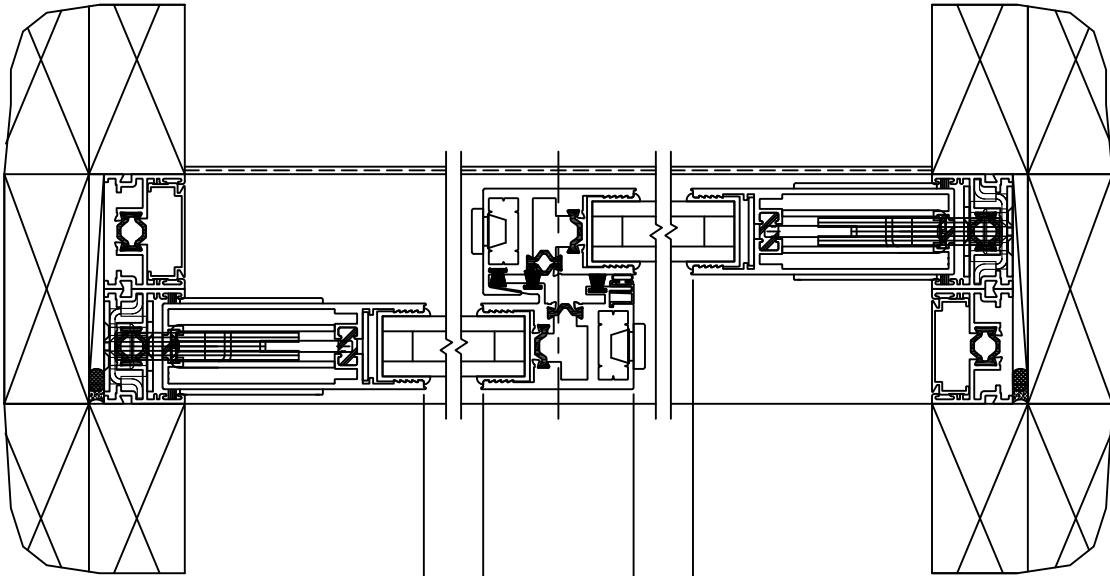
EXTERIOR

SERIES 3070-T HEAD



SERIES 3070-T SILL

NOTE: FLEETWOOD SUB-SILLPAN REQUIRED, OR INSTALLER TO PROVIDE CUSTOM WATER EVACUATION METHOD.



4" EXPOSED
FINISHED OPENING
SERIES 3070-T
LOCK JAMB

2 1/2"
EXTERIOR
SERIES 3070-T
INTERLOCKERS

4" EXPOSED
FINISHED OPENING
SERIES 3070-T
LOCK JAMB

DRAWN BY: BL		DATE: 4/5/17	REVISIONS:	DRAWN BY: BL	DATE: 8/27/15	REVISIONS:	COMMENTS:
JOB NUMBER: NA		JOB NAME: STUCCO SURROUND R & D_OPTION 2		CUSTOMER: FLEETWOOD WINDOWS AND DOORS		ADDED HEADER AND SILL NOTE	
MATERIAL: SERIES 3070-T		SCALE: 1/4" = 1"		DRAWING NO. 1.01		SHEET 1 OF 1	
1 FLEETWOOD WAY CORONA, CA 92879 www.fleetwoodusa.com		FLEETWOOD WINDOWS & DOORS		1		1	