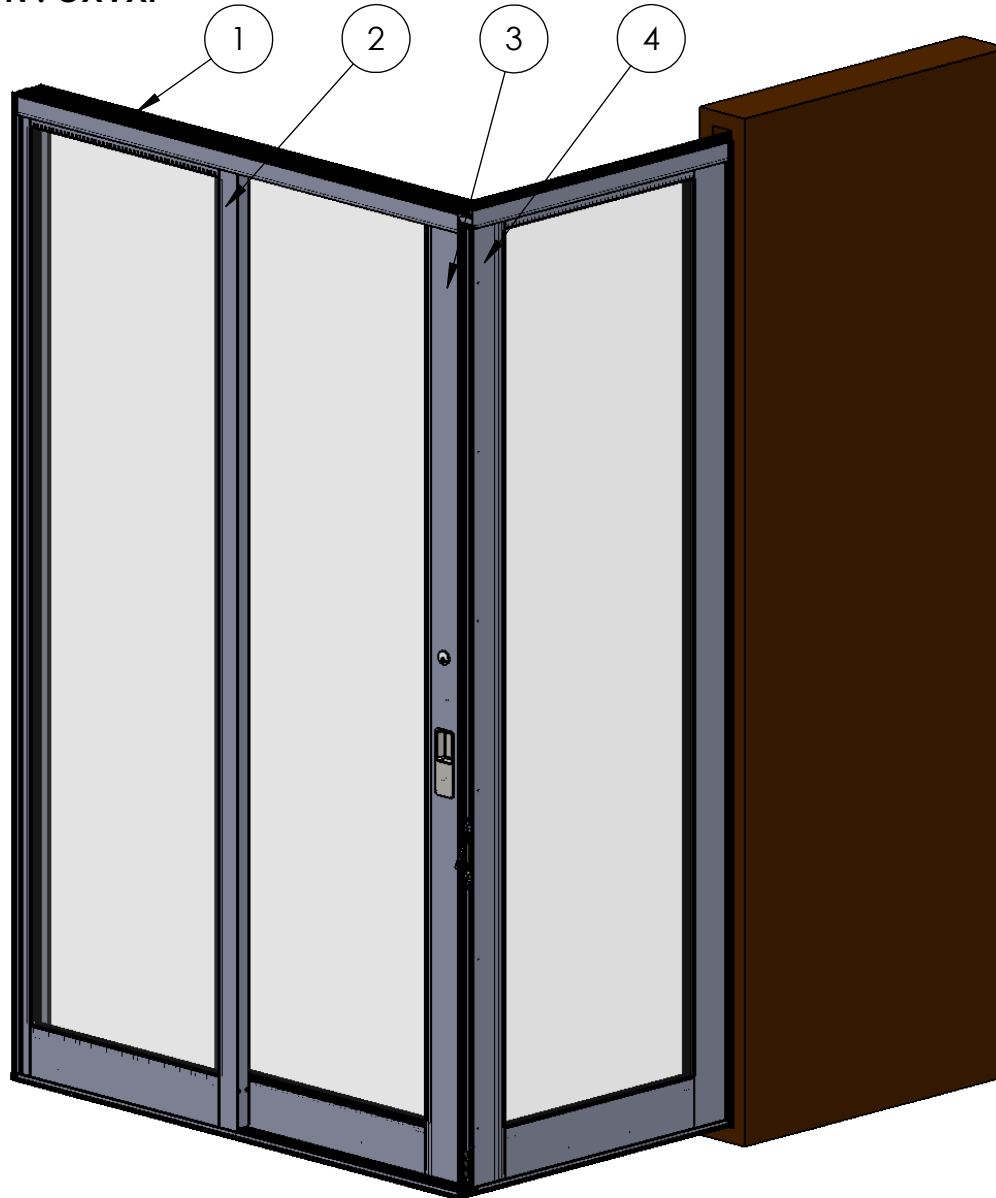


# ASSEMBLY / PARTS LIST (B.O.M.)

**SERIES: 3070-T**  
**CONFIGURATION : OXVXP**



ITEM NO.	DESCRIPTION	PAGE #
1	OXVXP Frame Assembly	2-3
2	O Panel Assembly (Interior Stack)	4
3	X Panel Assembly (XI)	5-6
4	X Panel Assembly (VX)	7-8

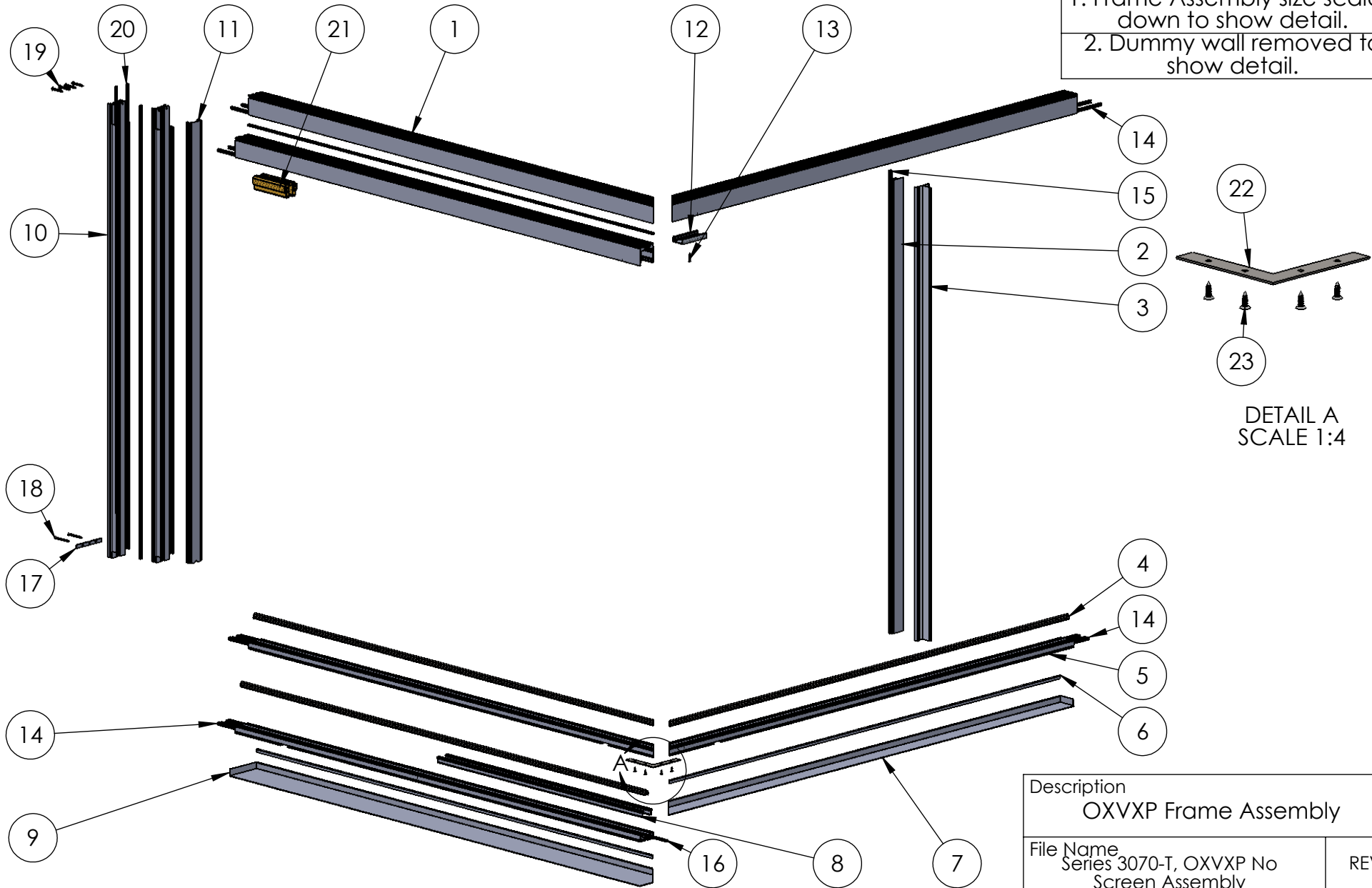
**NOTES:**

1. Active left configuration shown.
2. Dummy wall shown to demonstrate pocket.

Description Table of Contents	
File Name Series 3070-T, OXVXP No Screen Assembly	REV
Released 9/15/2017	SHEET 1 OF 8

# ASSEMBLY / PARTS LIST (B.O.M.)

**NOTES:**  
 1. Frame Assembly size scaled down to show detail.  
 2. Dummy wall removed to show detail.



DETAIL A  
 SCALE 1:4

Description OXVXP Frame Assembly	
File Name Series 3070-T, OXVXP No Screen Assembly	REV
Released	9/15/2017
SHEET 2 OF 8	

**PROPRIETARY AND CONFIDENTIAL**  
 THE INFORMATION CONTAINED IN THIS DRAWING IS THE SOLE PROPERTY OF FLEETWOOD WINDOWS & DOORS.  
 ANY REPRODUCTION IN PART OR AS A WHOLE WITHOUT THE WRITTEN PERMISSION OF FLEETWOOD WINDOWS & DOORS IS PROHIBITED.

# ASSEMBLY / PARTS LIST (B.O.M.)

EXTRUSIONS			
ITEM NO.	PART NUMBER	DESCRIPTION	QTY.
1	3700	Head 1-Track Assembly	3
2	3748	Post Interlocker Snap-In	1
3	3756	Post Intertlock Nail-Fin	1
4	FW1020	Standard Stainless Steel Track Insert	3
5	3749	Thermal Sill 1-Track Assembly	3
6	FW1076	Sillpan Hem Cover	2
7	3720-1	N3-Sill Pan-1 Track	1
8	3747	Sill Filler	2
9	3720-2	N3-Sill Pan - 2 Track	1
10	3711	Jamb 1-Track Assembly	2
11	3710	Jamb Filler	1

HARDWARE			
ITEM NO.	PART NUMBER	DESCRIPTION	QTY.
12	24098	Head Anti Lift	1
13	20247	#8, FHP - A Screw, 1 in, SS, Clear	1
14	19118	Small Fin Seal Mohair (23027045BKGB)	18
15	19117	Large Fin Seal Mohair (29027045BKGB)	1
16	23025	MS Track Joiner	3
17	25186	Rectangular Washer	2
18	20258	#8 FHP - A, 2 in, SS, Clear	2
19	20353	#10 PHP - A, 1.5 in, SS, Clear	4
20	25757	Q-Lon Foam Seal (Q200T270)	2
21	24101	Honeycomb Head Bumper	1
22	25037	90 Degres Multislide Coner Door Sill Brace	1
23	20240	#8 FHP - A - UC, .5 in, SS, Clear	4

Description  
OXVXP Frame Assembly B.O.M.

File Name  
Series 3070-T, OXVXP No  
Screen Assembly

REV

**PROPRIETARY AND CONFIDENTIAL**

THE INFORMATION CONTAINED IN THIS DRAWING IS THE SOLE PROPERTY OF FLEETWOOD WINDOWS & DOORS.  
ANY REPRODUCTION IN PART OR AS A WHOLE WITHOUT THE WRITTEN PERMISSION OF FLEETWOOD WINDOWS & DOORS IS PROHIBITED.

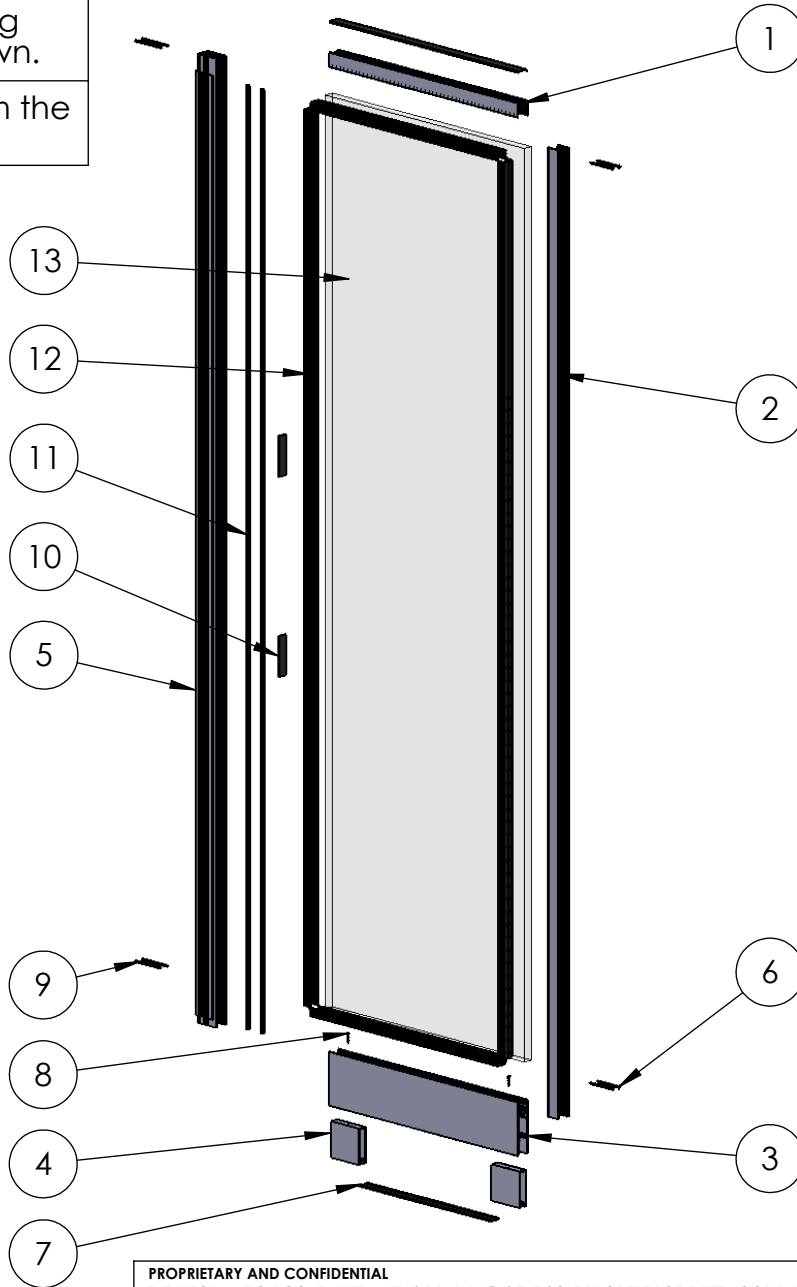
Released 9/15/2017 SHEET 3 OF 8

# ASSEMBLY / PARTS LIST (B.O.M.)

**NOTES:**

1: Interior Stacking configuration shown.

2. Panel viewed from the interior.



**EXTRUSIONS**

ITEM NO.	PART NUMBER	DESCRIPTION	QTY.
1	3075	Thermal Top Rail DG	1
2	3073	Fixed Stile DG	1
3	3310	Thermal Bottom Rail	1
4	3762	Setting Block - Mammoth Rail, Fixed Panel	2
5	3728	Thermal Interlocker Fixed Assembly	1

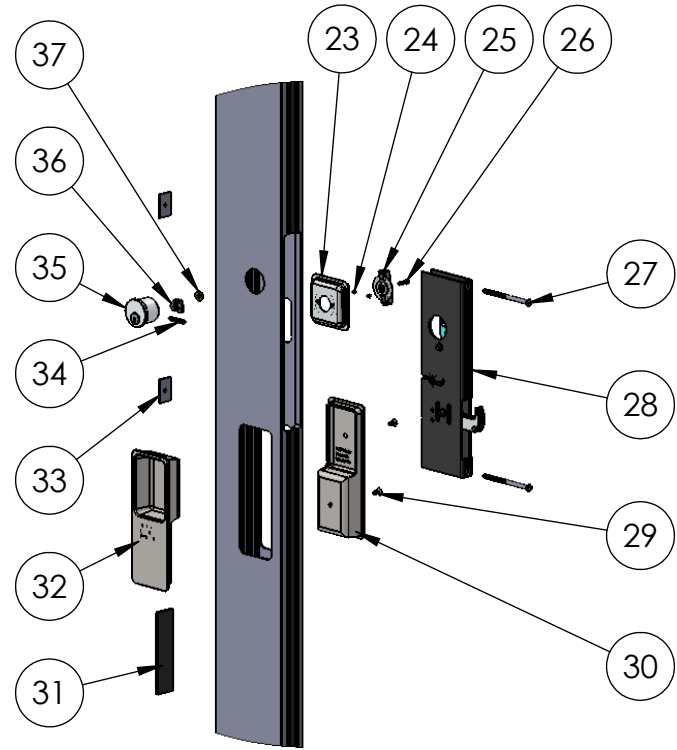
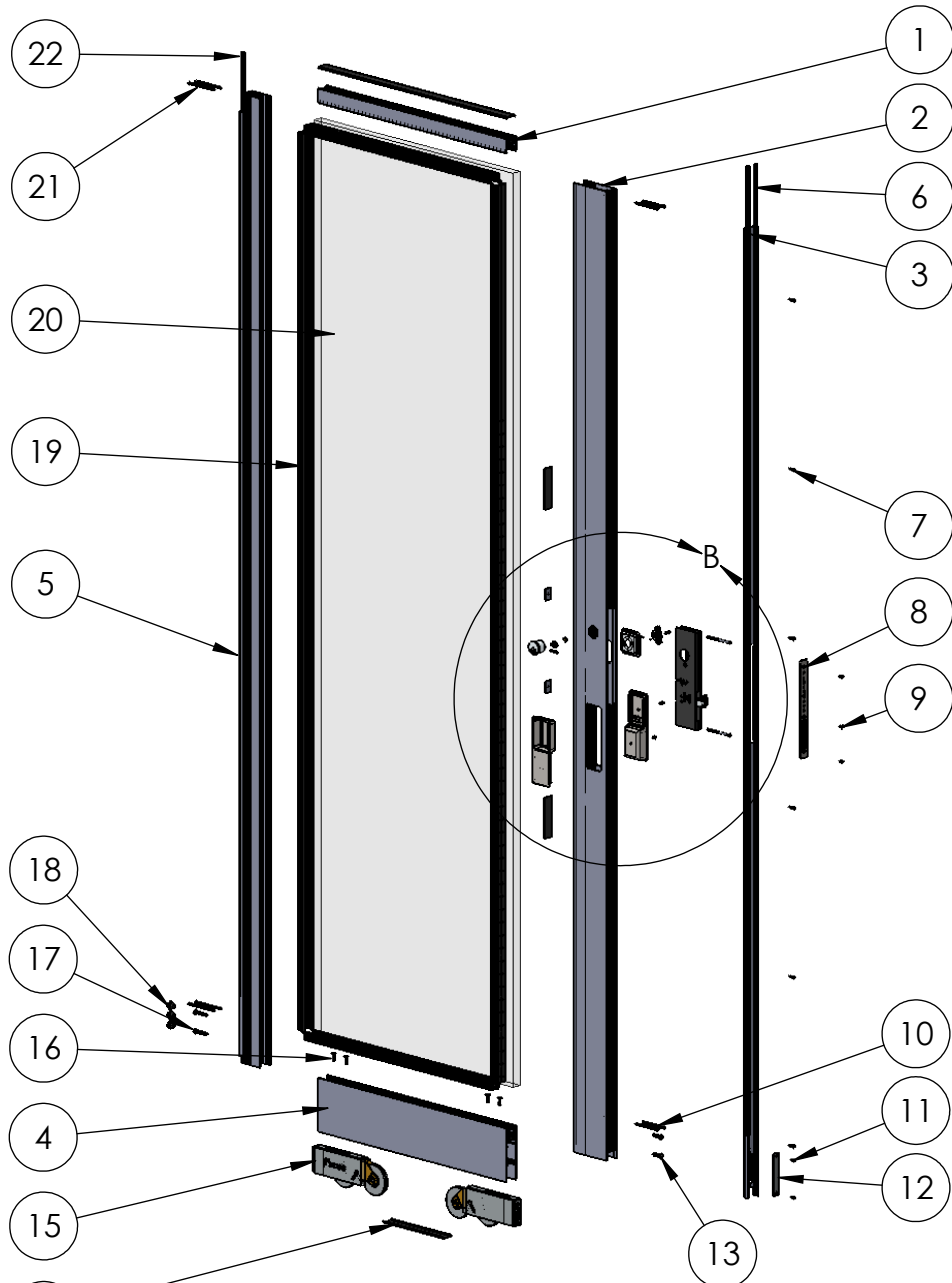
**HARDWARE**

ITEM NO.	PART NUMBER	DESCRIPTION	QTY.
6	20332	#8 PHP - A, 3 in, SS, Clear	4
7	22938	PVC Rail Spreader, BL798	2
8	20293	#10 FHP-A, 1", SS, Clear	2
9	25483	#8 FHP - A, 3.5 in, SS, Clear	4
10	18621	Setting Block (1/8 in x 4 in)	2
11	19117	Large Fin Seal Mohair (29027045BKGB)	2
12	22909	1 inch Glazing Vinyl (Shown)	1
13	-	Glass	1

Description O Panel Assembly	
File Name Series 3070-T, OXVXP No Screen Assembly	REV
Released 9/15/2017	SHEET 4 OF 8

**PROPRIETARY AND CONFIDENTIAL**  
 THE INFORMATION CONTAINED IN THIS DRAWING IS THE SOLE PROPERTY OF FLEETWOOD WINDOWS & DOORS.  
 ANY REPRODUCTION IN PART OR AS A WHOLE WITHOUT THE WRITTEN PERMISSION OF FLEETWOOD WINDOWS & DOORS IS PROHIBITED.

# ASSEMBLY / PARTS LIST (B.O.M.)



**PROPRIETARY AND CONFIDENTIAL**  
THE INFORMATION CONTAINED IN THIS DRAWING IS THE SOLE PROPERTY OF FLEETWOOD WINDOWS & DOORS.  
ANY REPRODUCTION IN PART OR AS A WHOLE WITHOUT THE WRITTEN PERMISSION OF FLEETWOOD WINDOWS & DOORS IS PROHIBITED.

Description X Panel Assembly (XI)	
File Name Series 3070-T, OXVXP No Screen Assembly	REV
Released 9/15/2017	SHEET 5 OF 8

# ASSEMBLY / PARTS LIST (B.O.M.)

EXTRUSIONS			
ITEM NO.	PART NUMBER	DESCRIPTION	QTY.
1	3075	Thermal Top Rail DG	1
2	3776	Thermal Lock Stile (Archetype)	1
3	3040	Female Yoke	1
4	3310	Thermal Bottom Rail	1
5	3727	Thermal Interlocker Sliding Assembly	1
HARDWARE			
ITEM NO.	PART NUMBER	DESCRIPTION	QTY.
6	19118	Small Fins Seal Mohair (23027045BKGB)	2
7	20314	#8 PHP-A Screw, .75 in, SS, Clear	VARIES
8	24075	117-311, Archetype Primary Latch(Face) Plate, Cover	1
9	24076	#8-32 FHS, 3/8" Long, Hex Countersunk Screw (Stainless Steel)	3
10	20332	#8 PHP - A, 3 in, SS, Clear	4
11	20240	#8 FHP - A - UC, .5 in, SS, Clear	2
12	25035	Meeting Stile Bumper Cover Plate	1
13	20359	1/4-20 PHP - B, 1 in, SS, Clear	2
14	22938	PVC Rail Spreader, BL798	2
15	18883	A3 Roller, Precision - Tandem	2
16	20305	1/4-20 FHP - B, 3/4 in, SS Clear	4
17	25724	1/4-20 PHP - B, 1.5 in, SS, Clear	2
18	20635	Small Round Panel Plug (All Doors)	3
19	22909	1 inch Glazing Vinyl (Shown)	1
20	-	Glass	1
21	25483	#8 FHP - A, 3.5 in, SS, Clear	4
22	19117	Large Fin Seal Mohair (29027045BKGB)	1
23	24765	Archetype Actuator Pocket, OX, SS	1

HARDWARE			
ITEM NO.	PART NUMBER	DESCRIPTION	QTY.
24	24074	#4-40 FHP, UC, 1/8", SS, Clear	2
25	24079, 24766	Archetype Actuator (Black, SS)	1
26	24072, 24094	#6-32, Hex Socket Head Cap, Self Locking, 1/2", SS (Clear, Black)	1
27	25729	#10-32 FHP, 3, SS, Clear	2
28	24070	OX Primary Latch	1
29	26049, 25325	#8-32 FHS - B, 0.375 in, SS, (Clear, Black)	2
30	24089, 24091	Archetype Handle, Inside, with Gasket (117-338)	1
31	18621	Setting Block (1/8 in x 4 in)	2
32	24090, 24092	Archetype Handle, Outside, with Gasket (117-338)	1
33	18671	Back Up Plate # 10-32 x 0.075 Thk.	2
34	24935	#8-32 x 1 Set Screw (Reg. Arch. Cyl.)	1
35	25356, 24782	Archetype Keyed Cylinder (SS) (KA,KD) (with Cam/Bushing/Screw)	1
36	24780	Cam - (for the Archetype Key Cylinder)	1
37	24781	Brass Bushing - Key Cylinder Reg. Arch.	1

Description  
X Panel Assembly (XI) B.O.M.

File Name  
Series 3070-T, OXVXP No  
Screen Assembly

REV

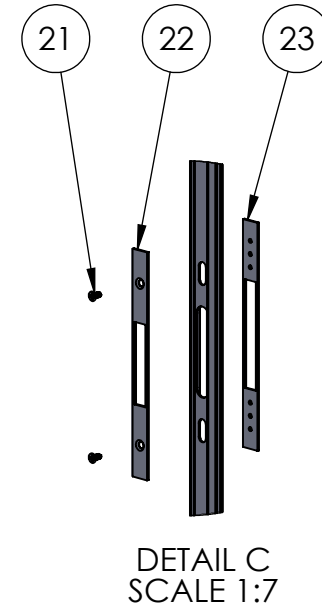
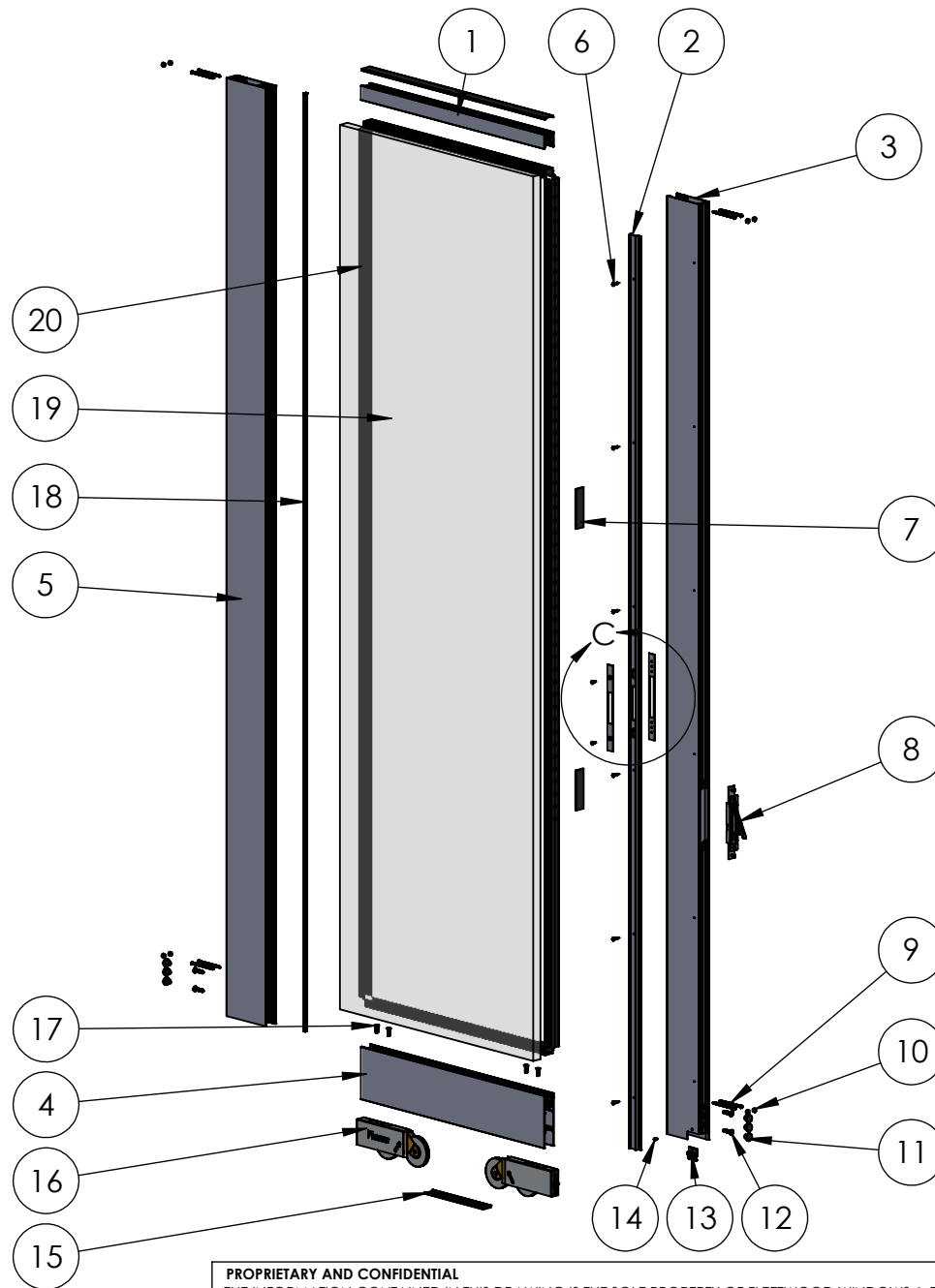
**PROPRIETARY AND CONFIDENTIAL**

THE INFORMATION CONTAINED IN THIS DRAWING IS THE SOLE PROPERTY OF FLEETWOOD WINDOWS & DOORS.  
ANY REPRODUCTION IN PART OR AS A WHOLE WITHOUT THE WRITTEN PERMISSION OF FLEETWOOD WINDOWS & DOORS IS PROHIBITED.

Released 9/15/2017

SHEET 6 OF 8

# ASSEMBLY / PARTS LIST (B.O.M.)



**PROPRIETARY AND CONFIDENTIAL**  
 THE INFORMATION CONTAINED IN THIS DRAWING IS THE SOLE PROPERTY OF FLEETWOOD WINDOWS & DOORS.  
 ANY REPRODUCTION IN PART OR AS A WHOLE WITHOUT THE WRITTEN PERMISSION OF FLEETWOOD WINDOWS & DOORS IS PROHIBITED.

Description X Panel Assembly (VX)	
File Name Series 3070-T, OXVXP No Screen Assembly	REV
Released	9/15/2017
SHEET 7 OF 8	



# ASSEMBLY / PARTS LIST (B.O.M.)

EXTRUSIONS			
ITEM NO.	PART NUMBER	DESCRIPTION	QTY.
1	3075	Thermal Top Rail DG	1
2	3039	Male Yoke	1
3	3776	Thermal Lock Stile (Archetype)	1
4	3310	Thermal Bottom Rail	1
5	3777	4 in Thermal Pocket Sightline Extender	1

HARDWARE			
ITEM NO.	PART NUMBER	DESCRIPTION	QTY.
6	20314	#8 PHP-A Screw, .75 in, SS, Clear	6
7	18621	Setting Block (1/8 in x 4 in)	2
8	24982	Edge Pull (Thermal Assembly)	1
9	20332	#8 PHP - A, 3 in, SS, Clear	8
10	25907	Thermal Plug	8
11	20635	Small Round Panel Plug (All Doors)	6
12	20359	1/4-20 PHP - B, 1 in, SS, Clear	4
13	25779	Sill Brush Air Barrier on Corner Door (Lead Stile)	1
14	20224	#6 PHP-A , .375 in, SS, Clear	1
15	22938	PVC Rail Spreader, BL798	2
16	18883	A3 Roller, Precision - Tandem	2

HARDWARE			
ITEM NO.	PART NUMBER	DESCRIPTION	QTY.
17	20305	1/4-20 FHP - B, 3/4 in, SS Clear	4
18	19117	Large Fin Seal Mohair (29027045BKGB)	1
19	-	Glass	1
20	22909	1 inch Glazing Vinyl (Shown)	1
21	20266	Screw No.10-32, Flat Undercut Head Phil.,0.375 In	2
22	24980	Strike Plate, Meeting Stile	1
23	24981	Strike Backup Plate, Meeting Stile	1

Description X Panel Assembly (VX) B.O.M.	
File Name Series 3070-T, OXVXP No Screen Assembly	REV
Released	9/15/2017
SHEET 8 OF 8	

**PROPRIETARY AND CONFIDENTIAL**  
 THE INFORMATION CONTAINED IN THIS DRAWING IS THE SOLE PROPERTY OF FLEETWOOD WINDOWS & DOORS.  
 ANY REPRODUCTION IN PART OR AS A WHOLE WITHOUT THE WRITTEN PERMISSION OF FLEETWOOD WINDOWS & DOORS IS PROHIBITED.