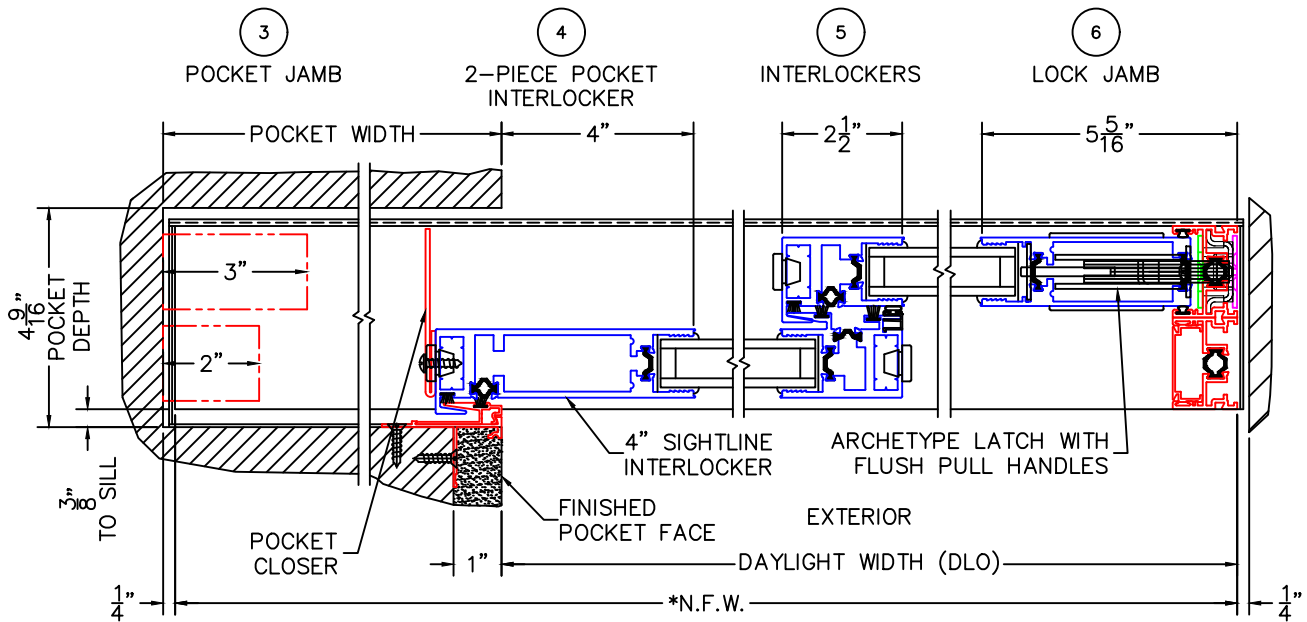
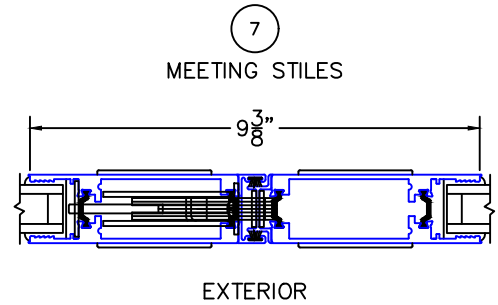
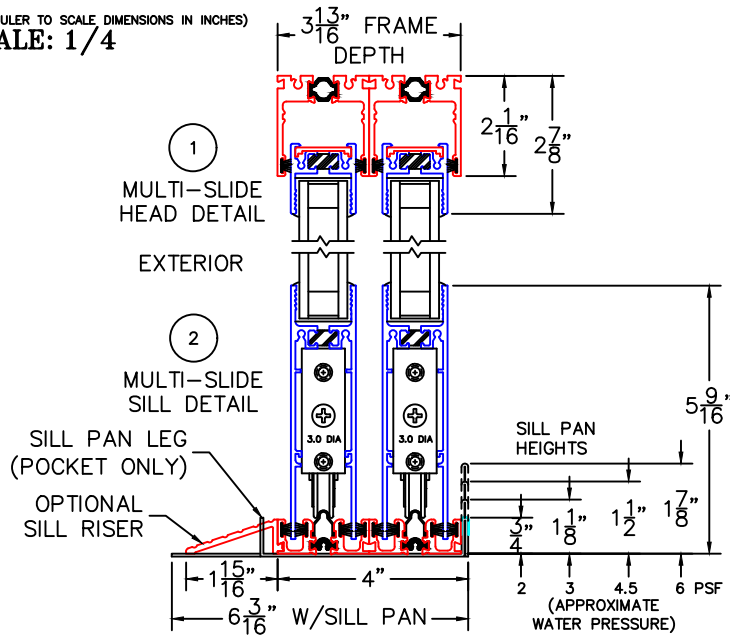
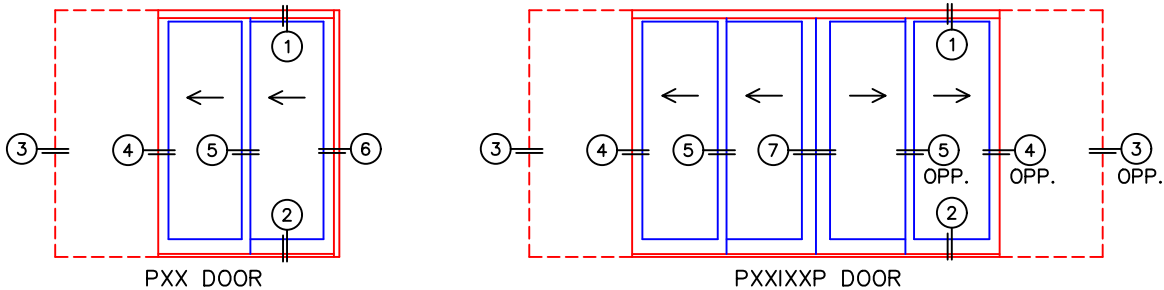


(USE RULER TO SCALE DIMENSIONS IN INCHES)  
**SCALE: 1/4**

**MULTI-SLIDE POCKET DOOR DETAILS**  
PXX DOOR SHOWN



NOTE: CENTERLINES ARE NOT DIVIDED EQUALLY; CONFIRM CENTERLINES WHEN REQUIRED.



- \*NET FRAME WIDTH DOES NOT INCLUDE SILL PAN.
- SILL PAN EXTENDS 1/8" BEYOND EACH JAMB.
- PLAN VIEW DOES NOT SHOW SILL RISER.
- FOR ADDITIONAL OPTIONS AND UPGRADES SEE DRAWINGS 3070-T-08 AND 3070-T-09.

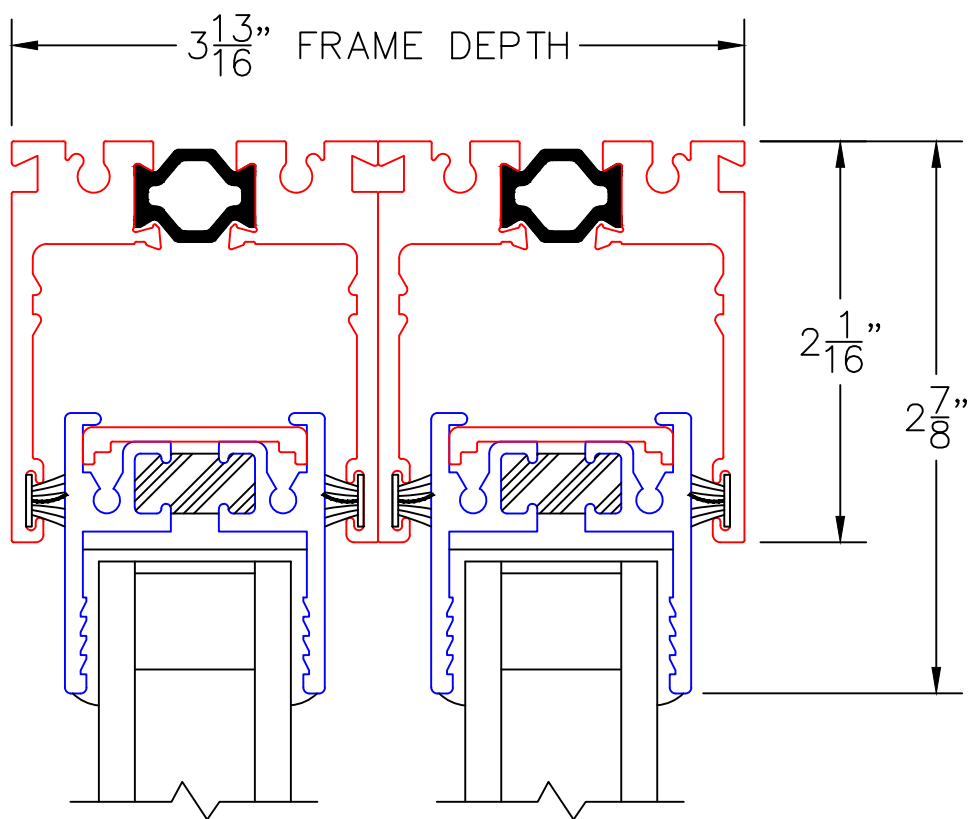
- GLASS PENETRATION: 11/16"
- EXTERIOR RATED PRODUCTS HAVE WEEP SLOTS ON HORIZONTAL SILLS.

0 0.5 1  
(USE RULER TO SCALE DIMENSIONS IN INCHES)  
**SCALE: FULL**

MULTI-SLIDE DOOR DETAILS  
PXX DOOR SHOWN

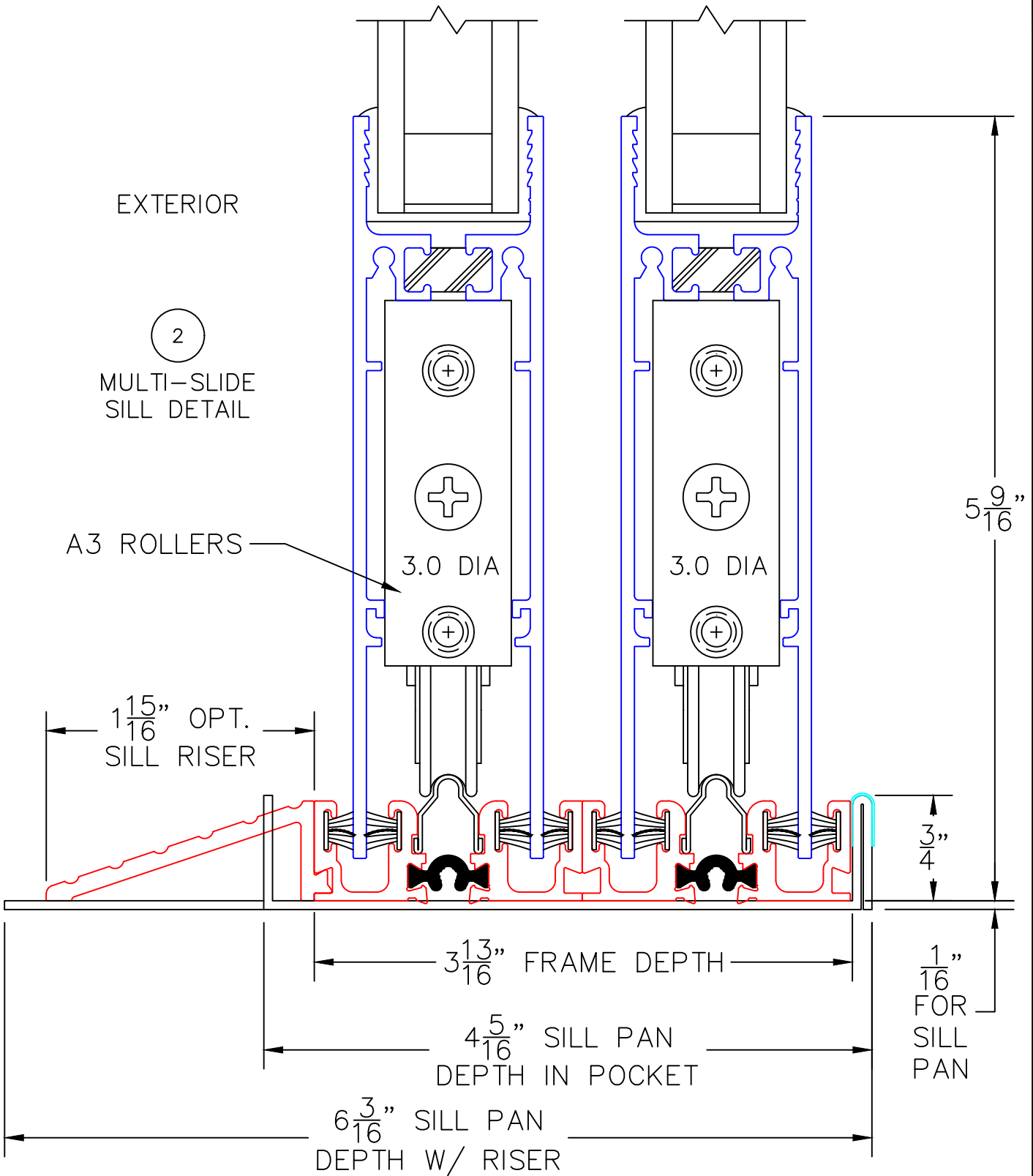
1  
MULTI-SLIDE  
HEAD DETAIL

EXTERIOR



0 0.5 1  
(USE RULER TO SCALE DIMENSIONS IN INCHES)  
**SCALE: FULL**

MULTI-SLIDE DOOR DETAILS  
PXX DOOR SHOWN



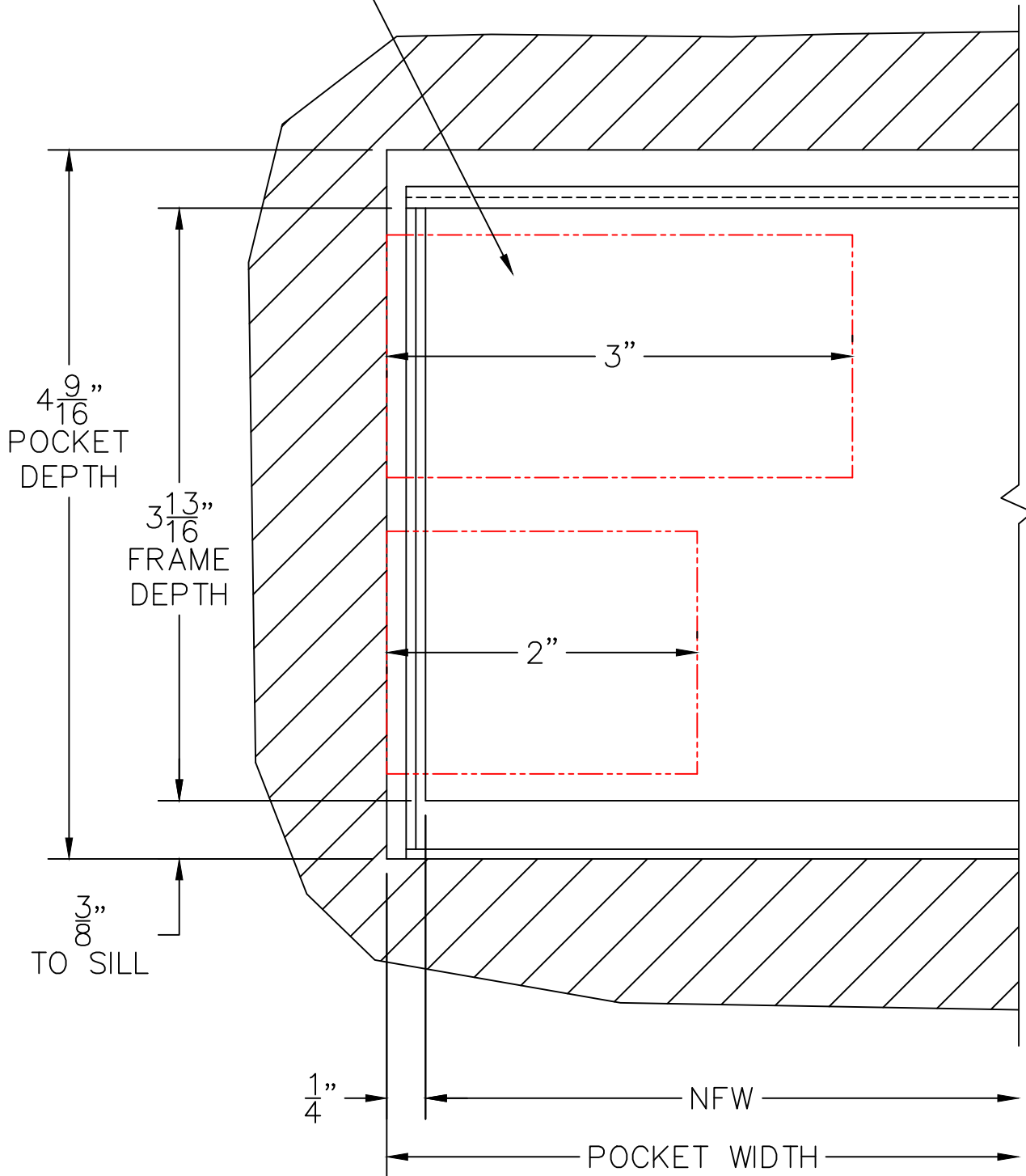
0 0.5 1  
 (USE RULER TO SCALE DIMENSIONS IN INCHES)  
**SCALE: FULL**

## MULTI-SLIDE DOOR DETAILS PXX DOOR SHOWN

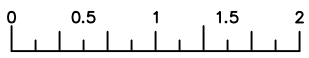
3

HEAD BUMPER

POCKET JAMB



EXTERIOR



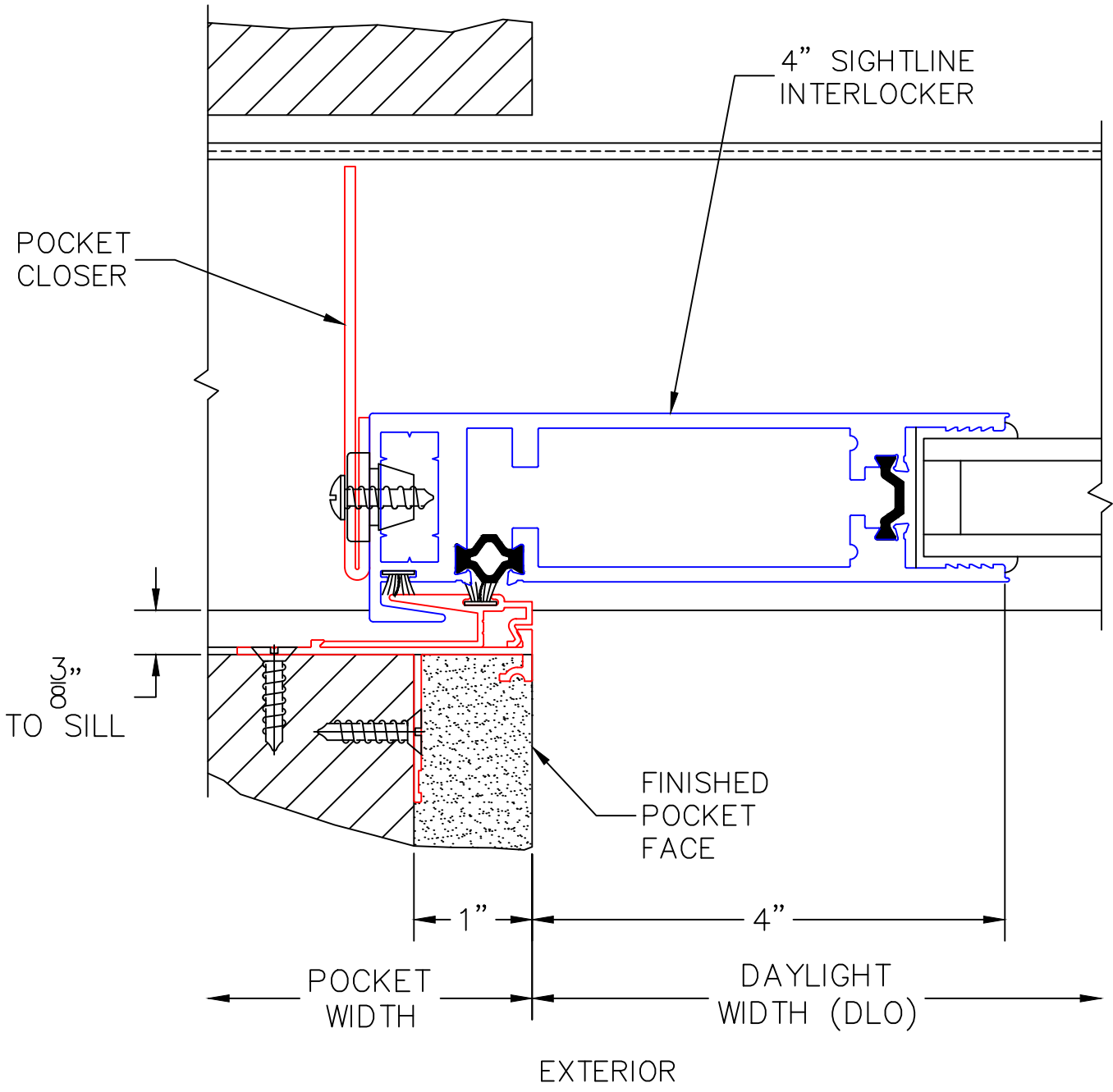
(USE RULER TO SCALE DIMENSIONS IN INCHES)

SCALE: 3/4

MULTI-SLIDE DOOR DETAILS  
PXX DOOR SHOWN

4

2-PIECE POCKET INTERLOCKER

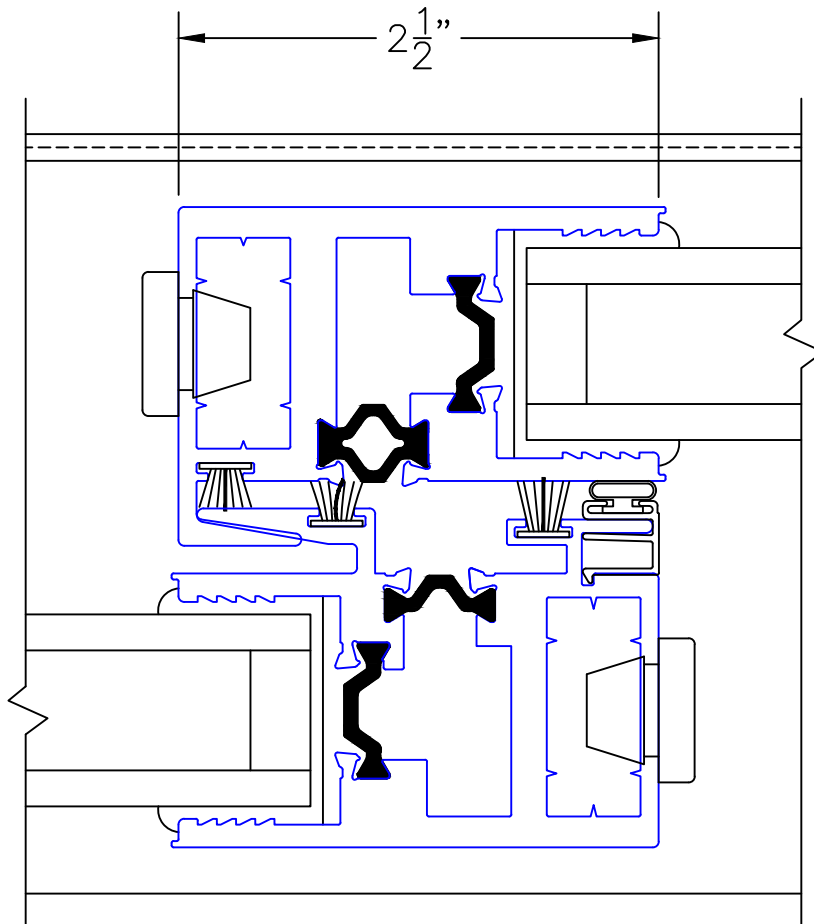


0 0.5 1  
(USE RULER TO SCALE DIMENSIONS IN INCHES)  
**SCALE: FULL**

MULTI-SLIDE DOOR DETAILS  
PXX DOOR SHOWN

5

INTERLOCKERS



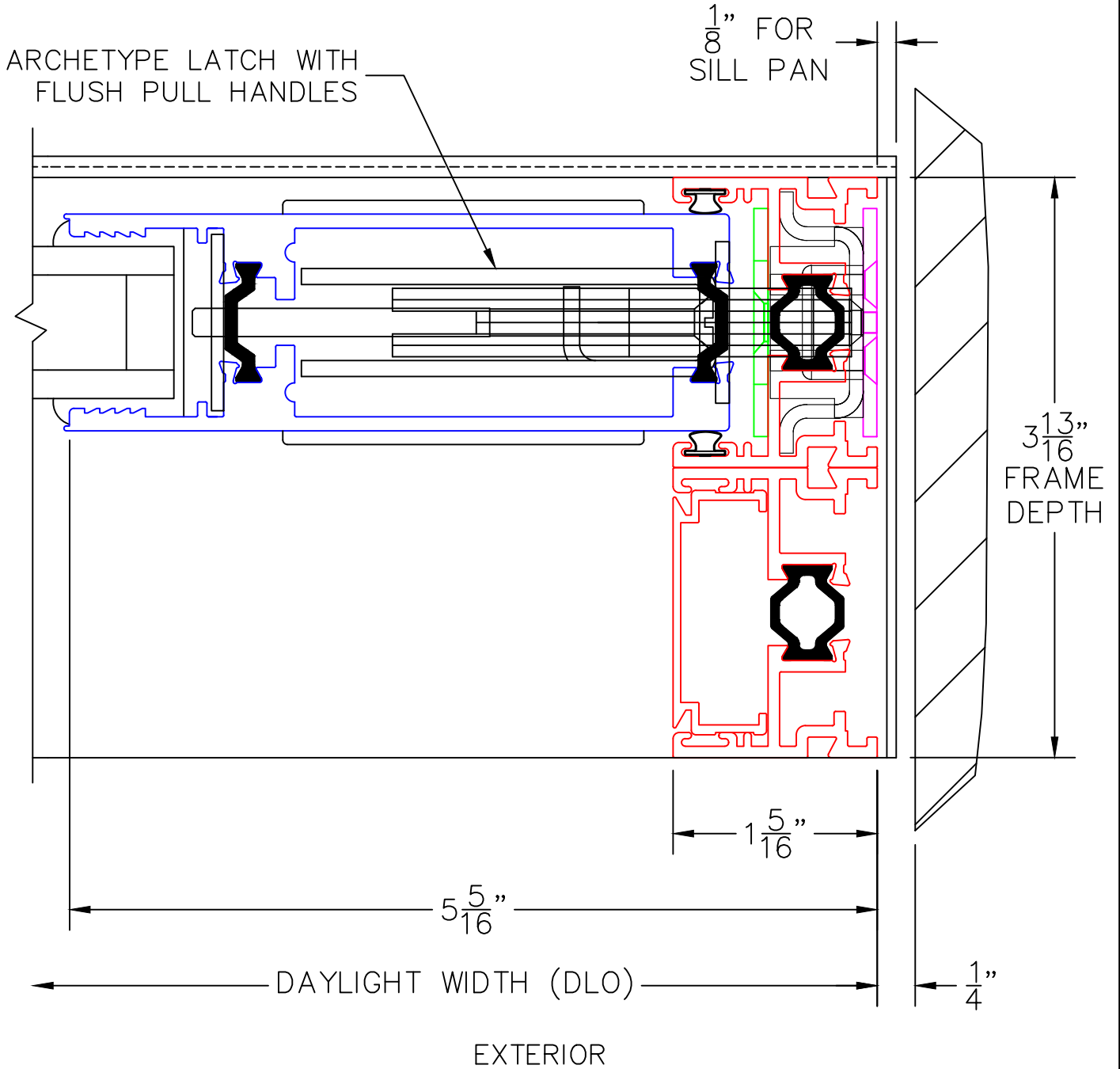
EXTERIOR

0 0.5 1  
(USE RULER TO SCALE DIMENSIONS IN INCHES)  
**SCALE: FULL**

MULTI-SLIDE DOOR DETAILS  
PXX DOOR SHOWN

6

LOCK JAMB



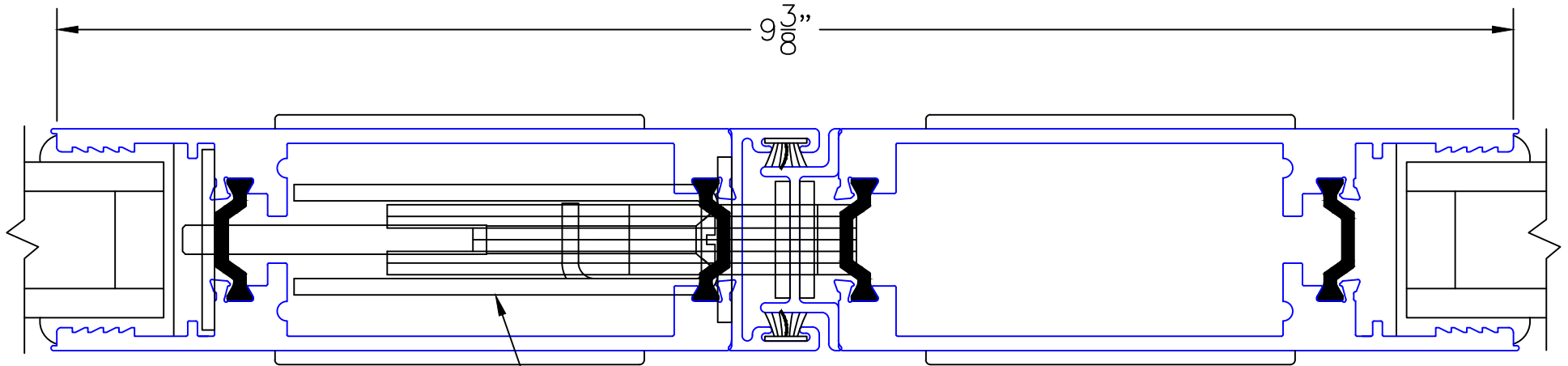
0 0.5 1  
(USE RULER TO SCALE DIMENSIONS IN INCHES)  
**SCALE: FULL**

## MULTI-SLIDE DOOR DETAILS PXXIXXP DOOR SHOWN

7

MEETING STILES

9 <sup>3</sup>/<sub>8</sub>"



ARCHETYPE LATCH WITH  
FLUSH PULL HANDLES

EXTERIOR