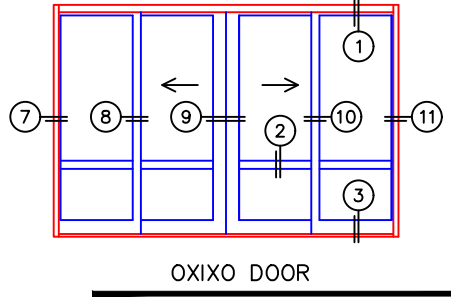
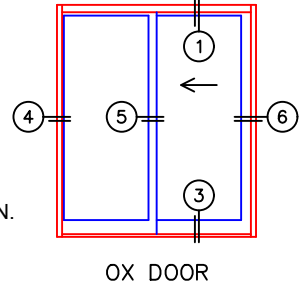
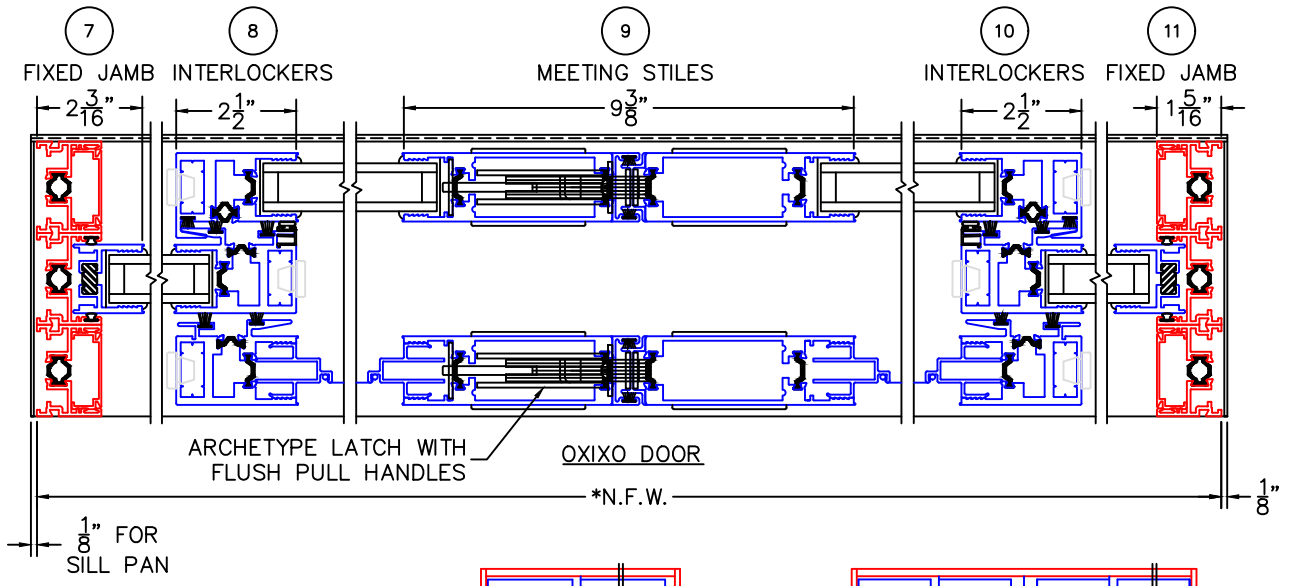
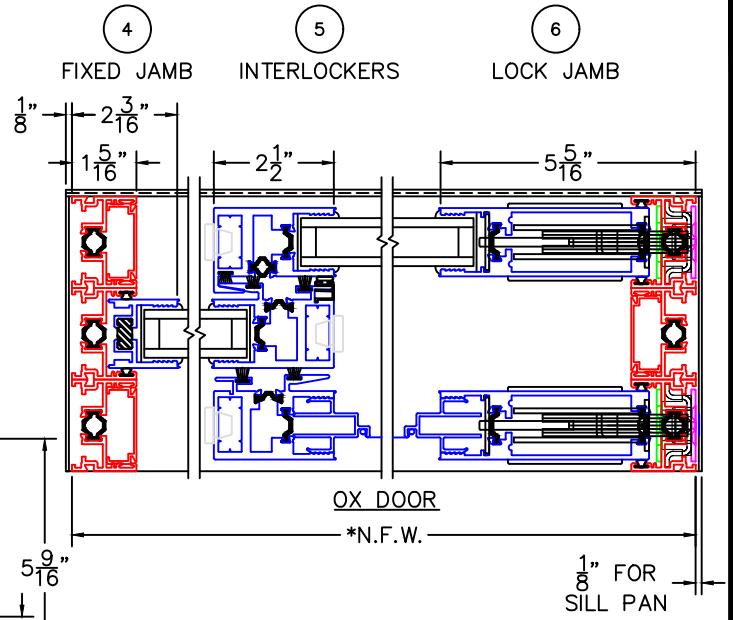
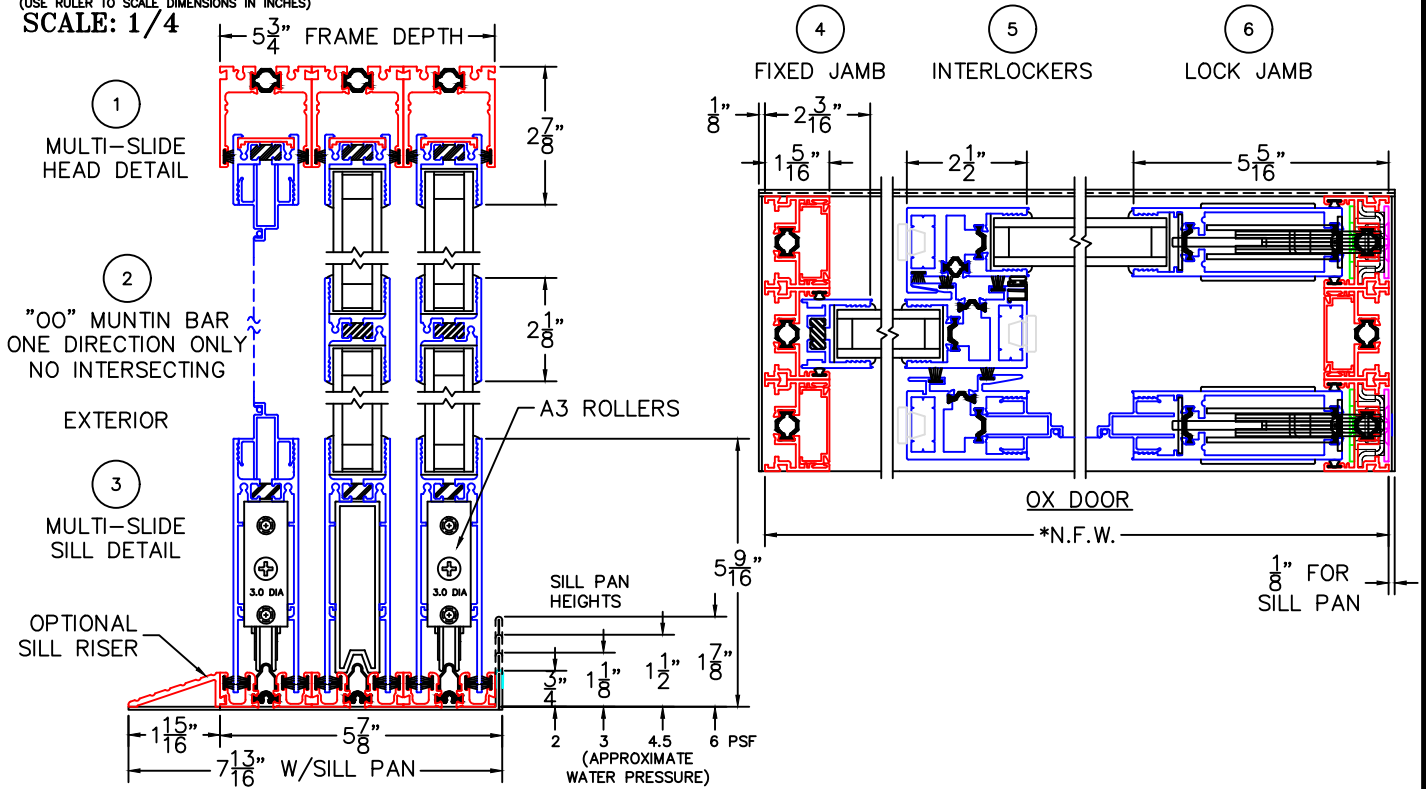


(USE RULER TO SCALE DIMENSIONS IN INCHES)
SCALE: 1/4"

MULTI-SLIDE DOOR DETAILS WITH SCREENS



NOTE: CENTERLINES ARE NOT DIVIDED EQUALLY; CONFIRM CENTERLINES WHEN REQUIRED.

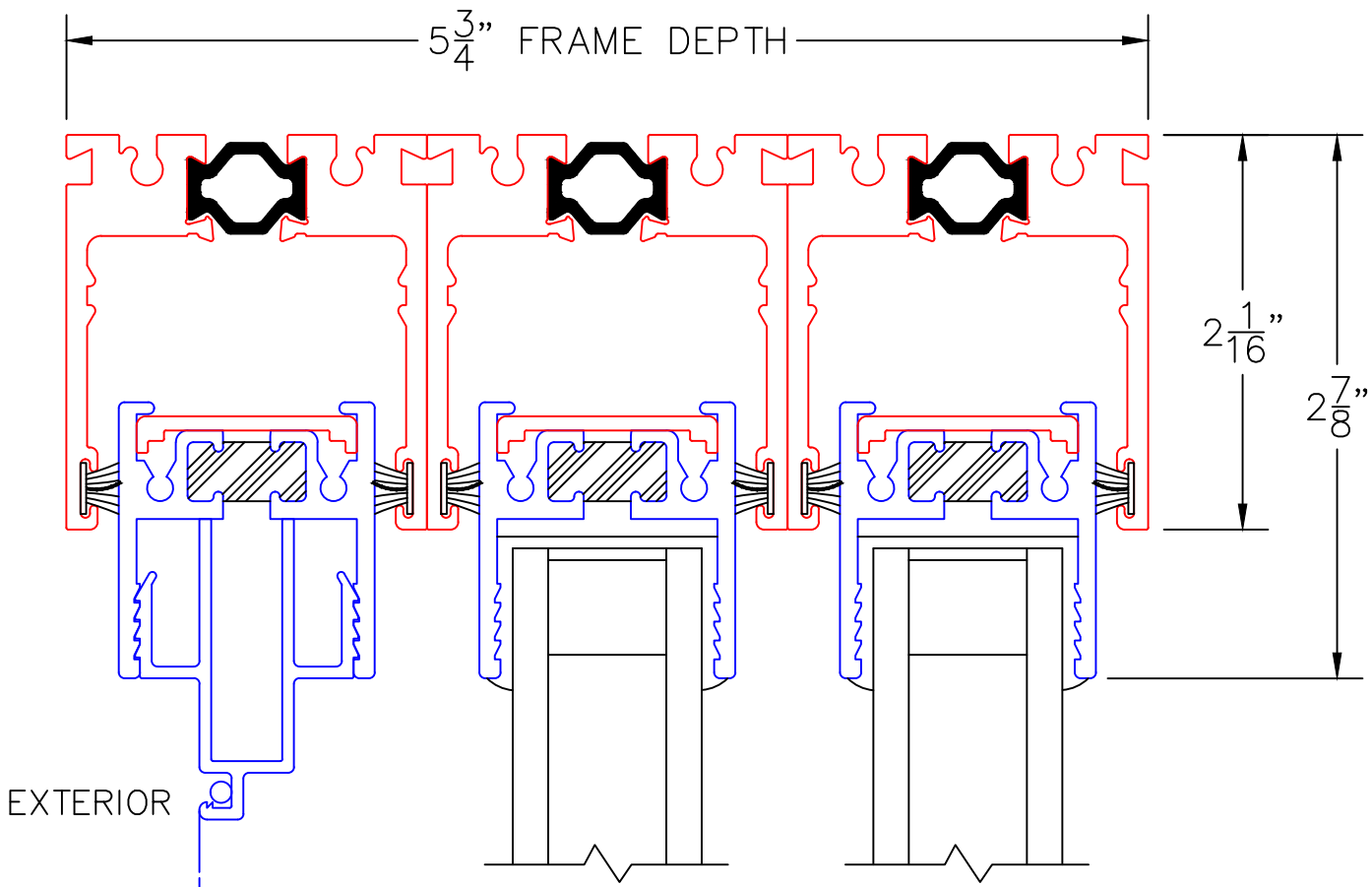
- GLASS PENETRATION: 11/16"
- *NET FRAME WIDTH DOES NOT INCLUDE SILL PAN.
- SILL PAN EXTENDS 1/8" BEYOND EACH JAMB.
- PLAN VIEW DOES NOT SHOW SILL RISER.
- FOR ADDITIONAL OPTIONS AND UPGRADES SEE DRAWINGS 3070-T-08 AND 3070-T-09.
- EXTERIOR RATED PRODUCTS HAVE WEEP SLOTS ON HORIZONTAL SILLS.

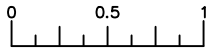
0 0.5 1
(USE RULER TO SCALE DIMENSIONS IN INCHES)
SCALE: FULL

MULTI-SLIDE DOOR DETAILS
OX DOOR SHOWN

1

MULTI-SLIDE
HEAD DETAIL





(USE RULER TO SCALE DIMENSIONS IN INCHES)

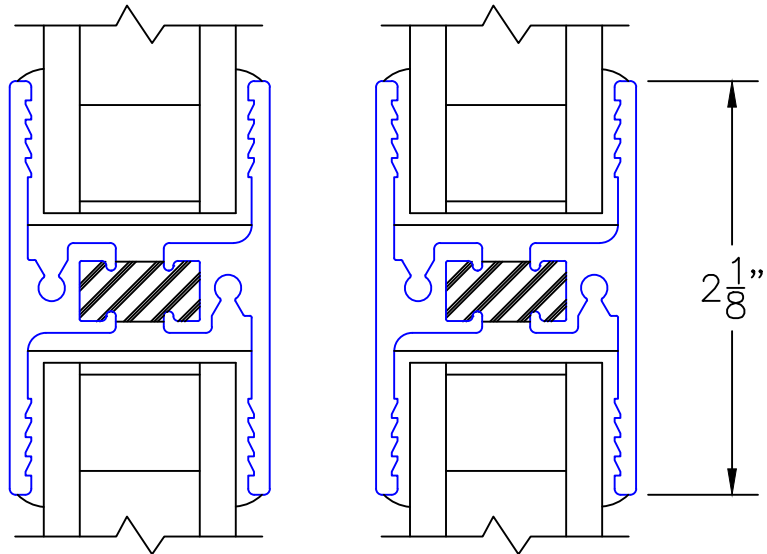
SCALE: FULL

MULTI-SLIDE DOOR DETAILS
OX DOOR SHOWN

2

"OO" MUNTIN BAR
ONE DIRECTION ONLY
NO INTERSECTING

EXTERIOR



0 0.5 1
(USE RULER TO SCALE DIMENSIONS IN INCHES)
SCALE: FULL

MULTI-SLIDE DOOR DETAILS
OX DOOR SHOWN

EXTERIOR

3

MULTI-SLIDE
SILL DETAIL

A3 ROLLERS

3.0 DIA

3.0 DIA

OPTIONAL
SILL RISER

5 ⁹/₁₆"

SILL PAN
HEIGHTS

3/4"

1 1/8"

1 1/2"

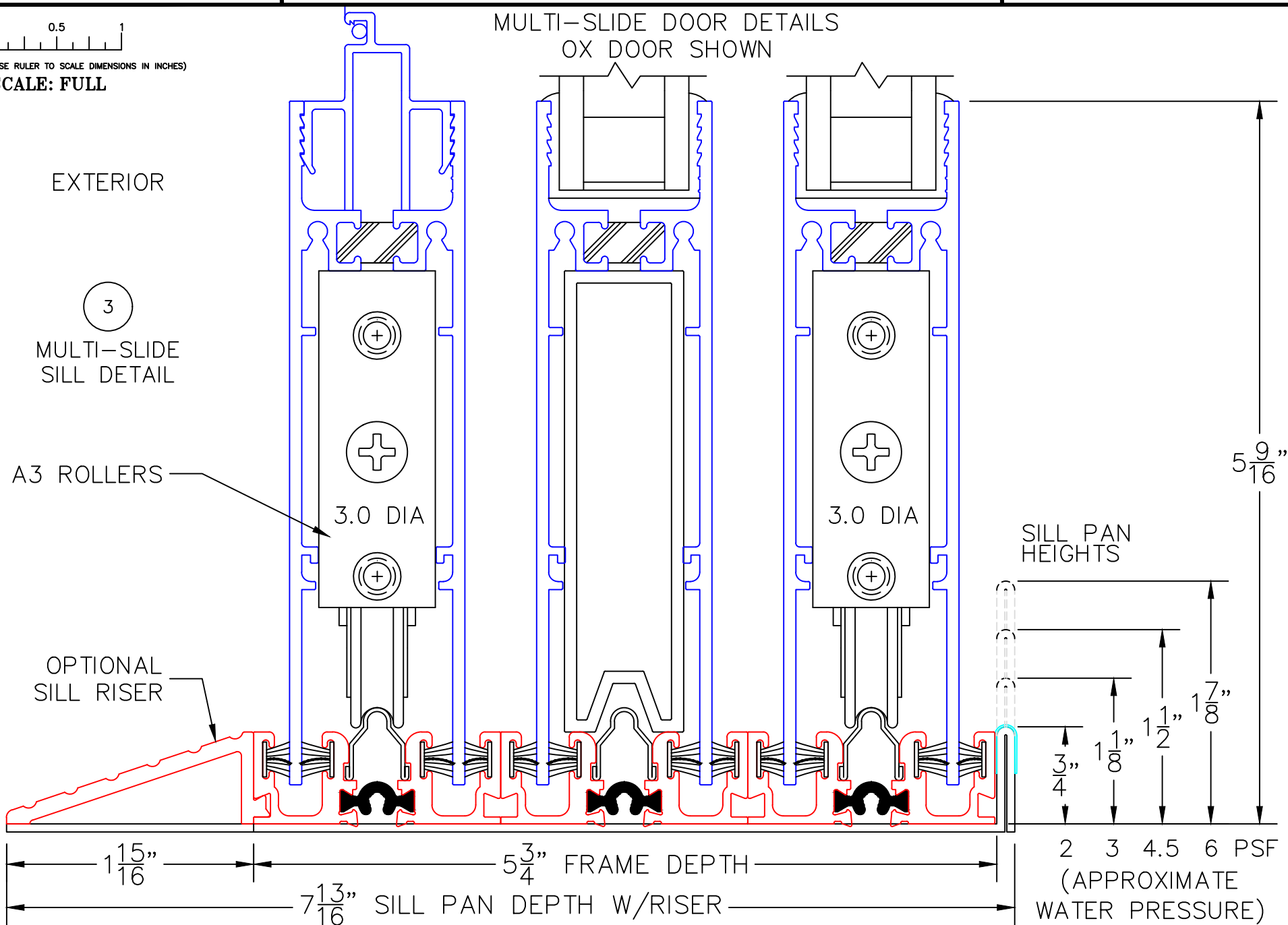
1 7/8"

1 ¹⁵/₁₆"

5 ³/₄" FRAME DEPTH

7 ¹³/₁₆" SILL PAN DEPTH W/RISER

2 3 4.5 6 PSF
(APPROXIMATE
WATER PRESSURE)



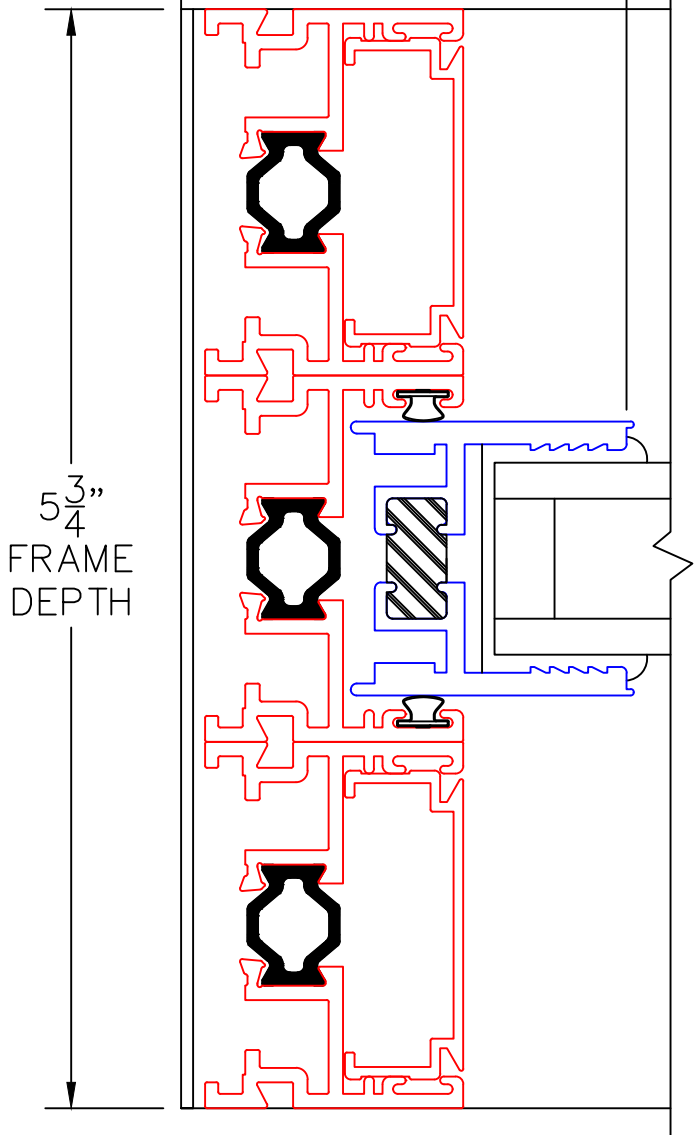
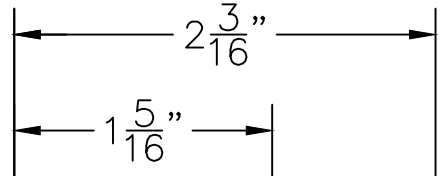
0 0.5 1
 (USE RULER TO SCALE DIMENSIONS IN INCHES)
SCALE: FULL

MULTI-SLIDE DOOR DETAILS
 OX DOOR SHOWN

4

FIXED JAMB

$\frac{1}{8}$ " FOR
 SILL PAN



$5\frac{3}{4}$ "
 FRAME
 DEPTH

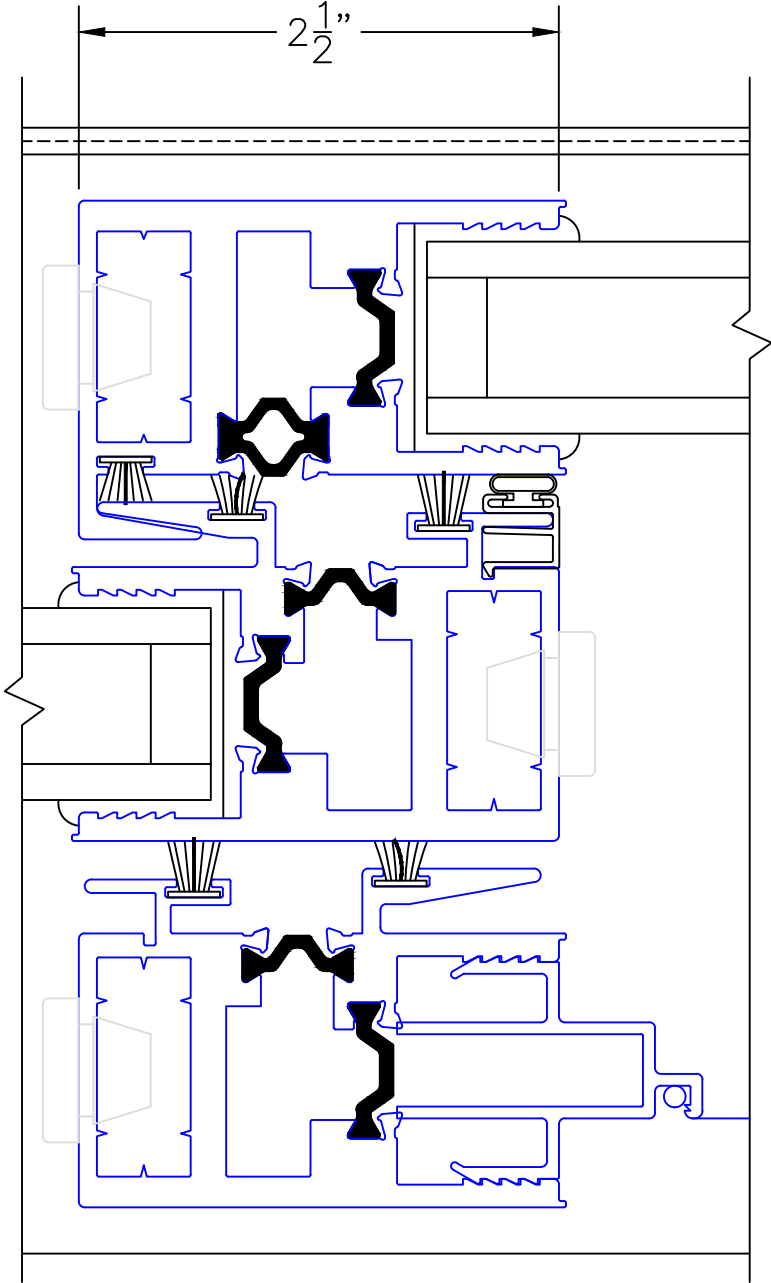
EXTERIOR

0 0.5 1
(USE RULER TO SCALE DIMENSIONS IN INCHES)
SCALE: FULL

MULTI-SLIDE DOOR DETAILS
OX DOOR SHOWN

5

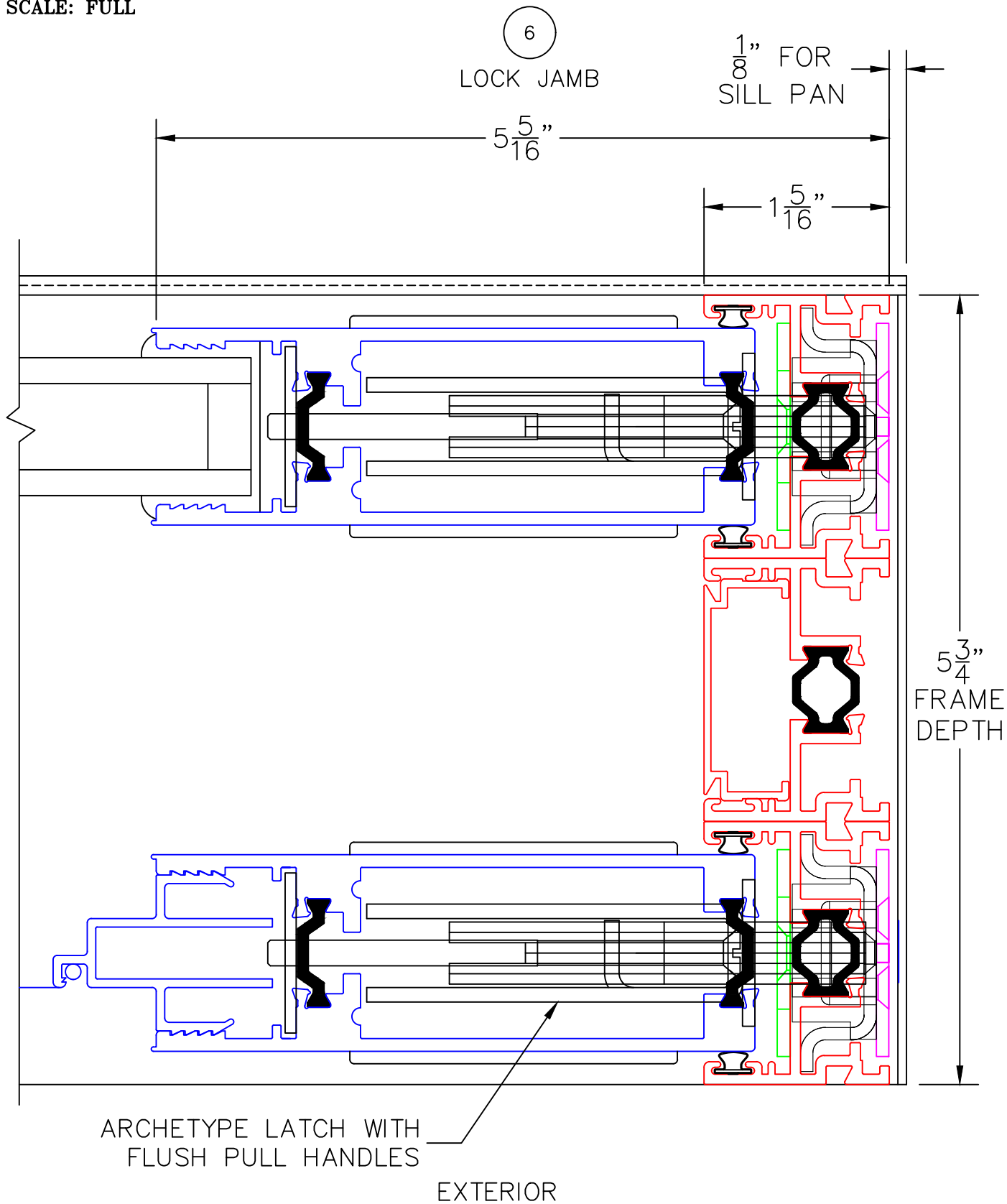
INTERLOCKERS

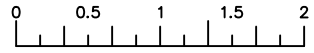


EXTERIOR

0 0.5 1
(USE RULER TO SCALE DIMENSIONS IN INCHES)
SCALE: FULL

MULTI-SLIDE DOOR DETAILS
OX DOOR SHOWN





(USE RULER TO SCALE DIMENSIONS IN INCHES)

SCALE: 3/4

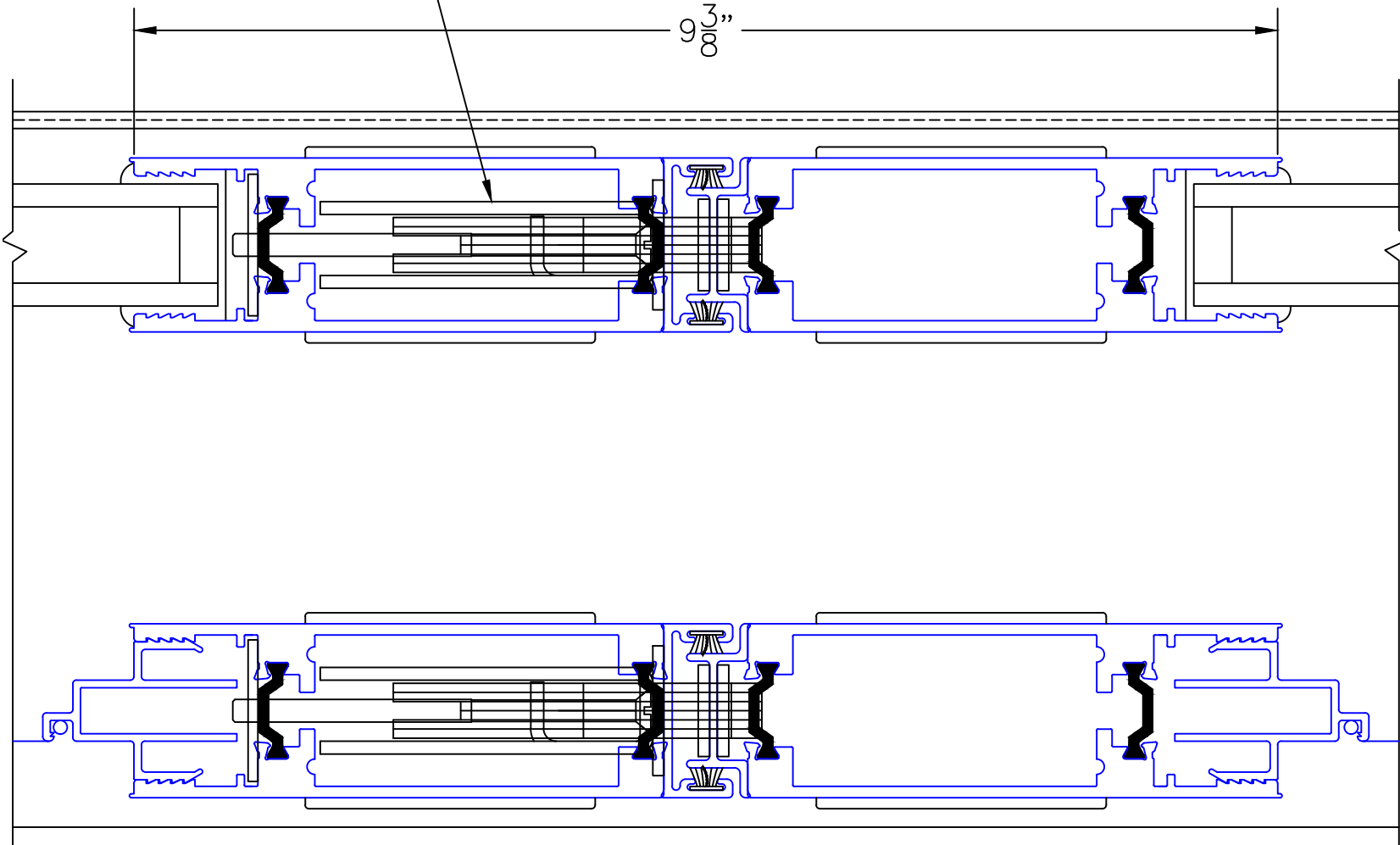
MULTI-SLIDE DOOR DETAILS OXIXO DOOR SHOWN

9

MEETING STILES

ARCHETYPE LATCH WITH
FLUSH PULL HANDLES

9 3/8"



EXTERIOR