

Table of Contents

I. General Notes: 1
II. Sub-Sillpan Installation 2
III. Frame Track – Inspection and Preparation 4

I. General Notes:

Other variables to be considered for evaluation: (Not Evaluated by Fleetwood)

1. Windload and atmospheric pressure differences (What design load is required)
2. Water expectations (force and volume), water must be effectively evacuated by strategically placing drainage holes. Consider the amount of water to determine the quantity and spacing of drain(s). Water drainage of the Sub-Sillpan is the responsibility of the installer. The location of the drains, quantity of drains, or other drainage techniques is the responsibility of the installer.
3. Drain type/system:
 - Various coupling systems will offer alternate approaches for water drainage.
 - Bottom drains provided by Fleetwood (unless otherwise specified) 8" from end, 60" O.C. max.
 - Side wall drains may not provide complete water drainage.
 - Determine what drainage/pipe/hose, etc. system will be used to take the water from the Sub-Sillpan away from the structure.
4. Consider Maintenance and Cleaning of entire drainage system. A drain cleanout should be considered and is recommended on all Sub-Sillpan installations. In the event that dirt, leaves or other debris blocks any of the drainage outlets a cleanout would allow removal of the blockage.
5. Rough Opening: Install per Sub-Sillpan Installation Instructions.
6. An insulating material such as PVC should be placed between the Sub-Sillpan and the supporting structure (concrete, steel, etc.) to prevent corrosion of the aluminum Sub-Sillpan.
7. On pocket doors, the relationship between the pocket interlocker (attached to the wall) and sliding panel interlocker must be maintained. The sill of the door frame should be 3/8" from the interior wall of the pocket where a 2-piece or an "L-Type" pocket interlocker is used and 5/16" where a "J-Post" interlocker is used in order to get proper engagement of the interlockers. Please consider this relationship when determining the size of the trench for the Sub-Sillpan.

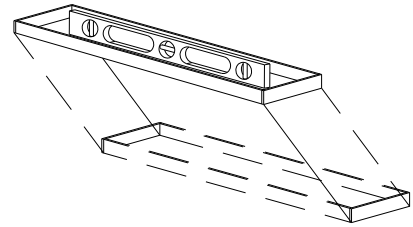
II. Sub-Sillpan Installation

1. Frame Opening Verification

- Check the measurement of the opening and verify that the Sub-Sillpan will fit into the opening.
- Recommended 1/2" clearance around full perimeter of Sub-Sillpan (back-fill by others).

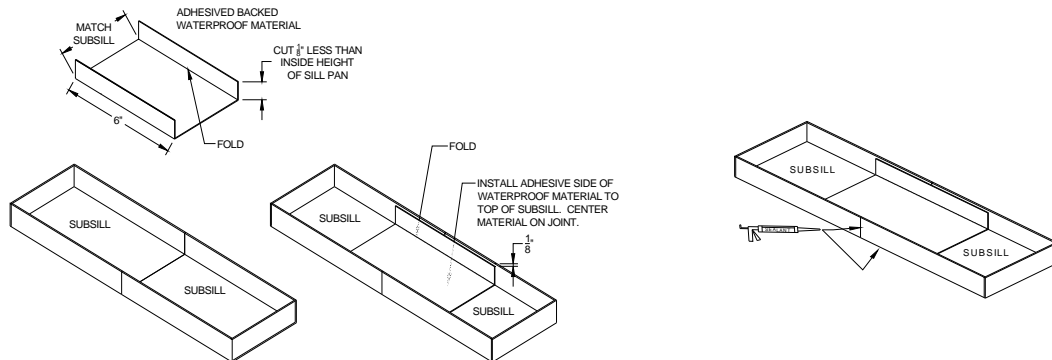
2. Pre-Fit and Leveling

- Place the Sub-Sillpan into the opening and determine what leveling must be done prior to installation. Prepare relief areas for the PVC drain flange(s).
- Full length support of the Sub-Sillpan is required to prevent the weight of the sliding door panels from bowing the track and Sub-Sillpan.
- If more than an 1/8" shim height is required, it is recommended to pour a self-leveling "Rock Hard" (or equivalent) to achieve a level and stable surface.

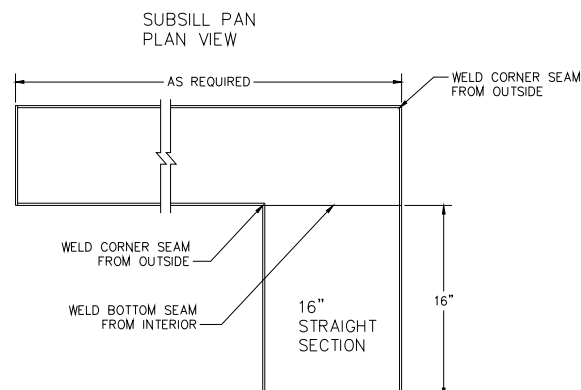


3. Multiple Piece Sub-Sillpan Splicing

- Butt Sub-Sillpan sections together, do not overlap.
- Cut a piece of adhesive backed waterproof material to fit the joint as specified in drawing below. *Caution: Select waterproofing material that is compatible for your application. Waterproofing material must have an adhesive backing and be capable of withstanding the temperature ranges for your region.*
- Apply a compatible sealant to the underside (bottom) and exterior vertical sides of the Sub-Sillpan at the seam joint.

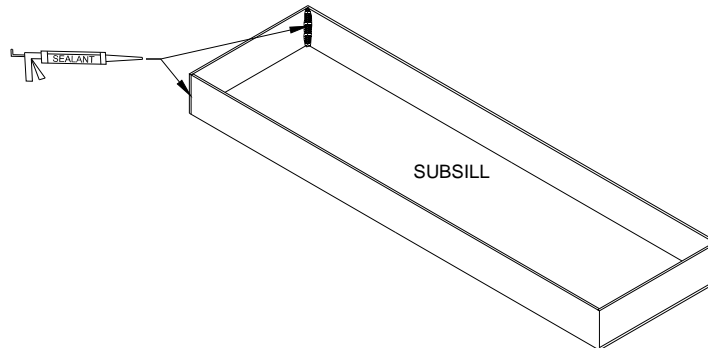


- **Corner Sub-Sillpan** – Seams at corners are welded from the exterior and are full length to create a watertight seal. The Sub-Sillpan will contain a 16" long straight section (see below) that will be welded at the corner to obtain the desired angle. Corner brace included.



4. Sealant Application

- Apply sealant to all outside and inside corners of the Sub-Sillpan.
- Inspect and apply sealant to any holes (as needed).

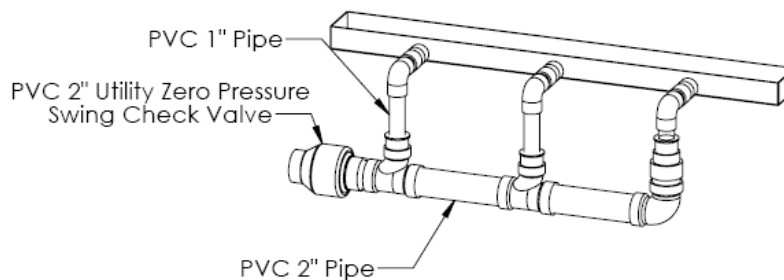


Sub-Sillpan Water Test

- Block all drain outlets and fill the Sub-Sillpan with water to verify the integrity of all seams and drain connections. Look for leak points, the water level of the Sub-Sillpan should remain constant. If Sub-Sillpan passes water test, drain Sub-Sillpan and continue with installation of frame. **NOTE: Installer responsible for verifying the integrity of the Sub-Sillpan for water leakage and performance.**

5. Sub-Sillpan Install

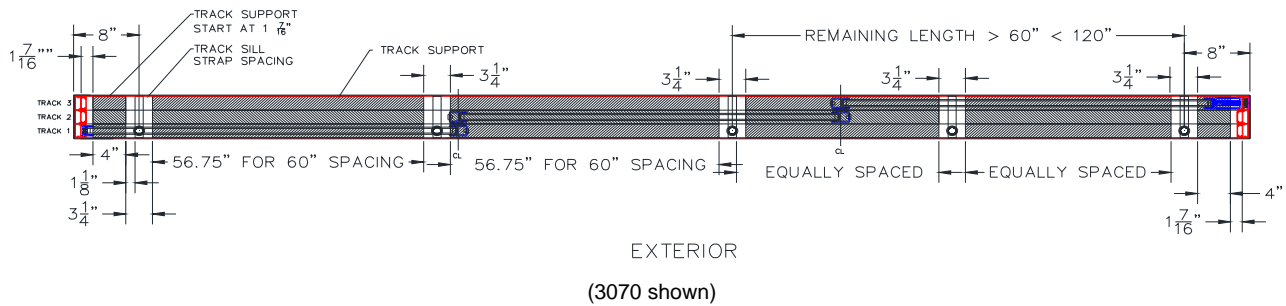
- Confirm proper orientation of Sub-Sillpan for tracks and drain location.
- Install Sub-Sillpan into already leveled opening. An insulating material should be placed between the Sub-Sillpan and the supporting structure (concrete, steel, etc.) to prevent corrosion of the aluminum Sub-Sillpan.
- Connect tubing or pipe to Sub-Sillpan drain connections.
- Connect other end of the tubing or pipe to a PVC 2" Utility Zero Pressure Swing Check Valve.



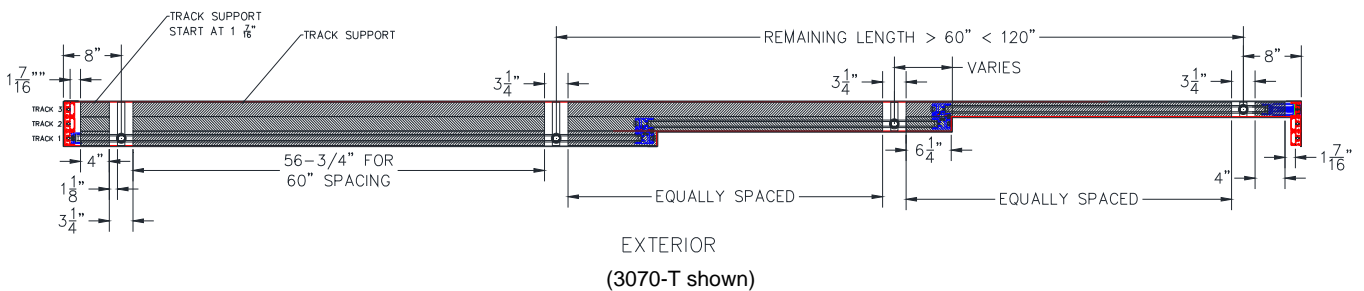
III. Frame Track – Inspection and Preparation

1. Track Support Locations

1. Sill splicing will occur on doors with large net frame widths.
2. Straight sill tracks are provided with the track supports already attached.
3. Non-staggered sub-sill top view shown below.

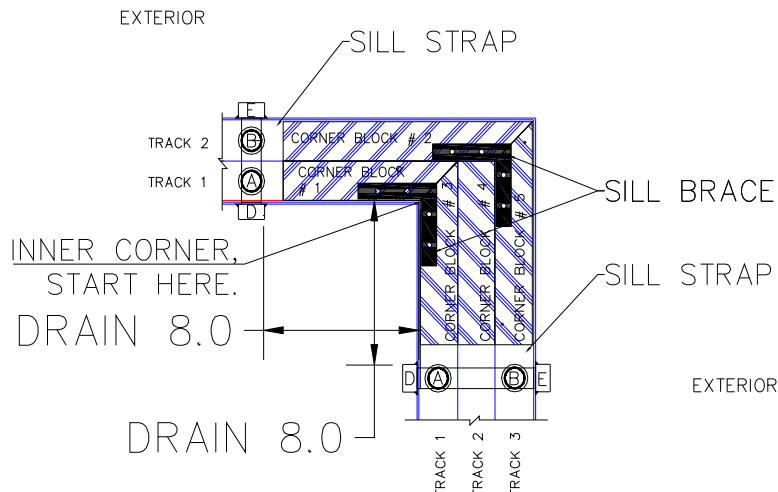


4. Staggered sub-sill top view shown below.



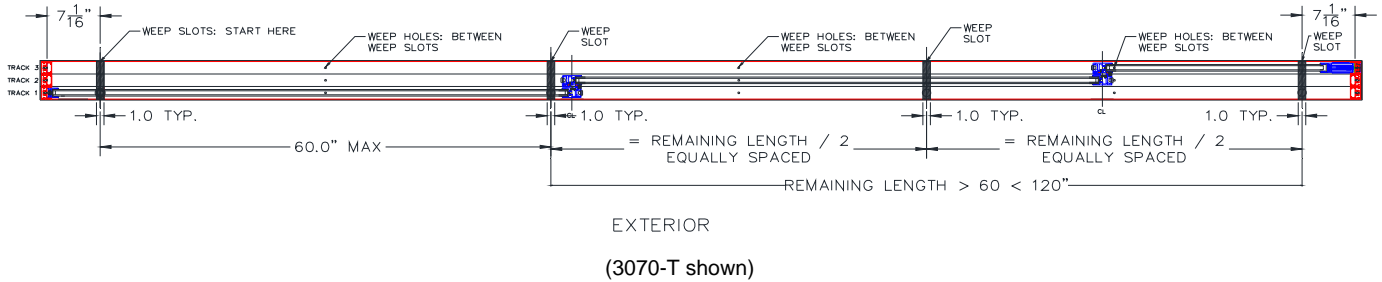
2. Corner door sill

- Sufficient support of both legs of the Sill is recommended when securing corner blocks and sill braces.
- Install sill brace, ID 25037 with four (4) No. 6x1/2" FHP, TEK screw, ID #25561 per mitered track.
- Use caution when handling Sill and Sub-Sillpan to prevent twisting or breakage during installation.

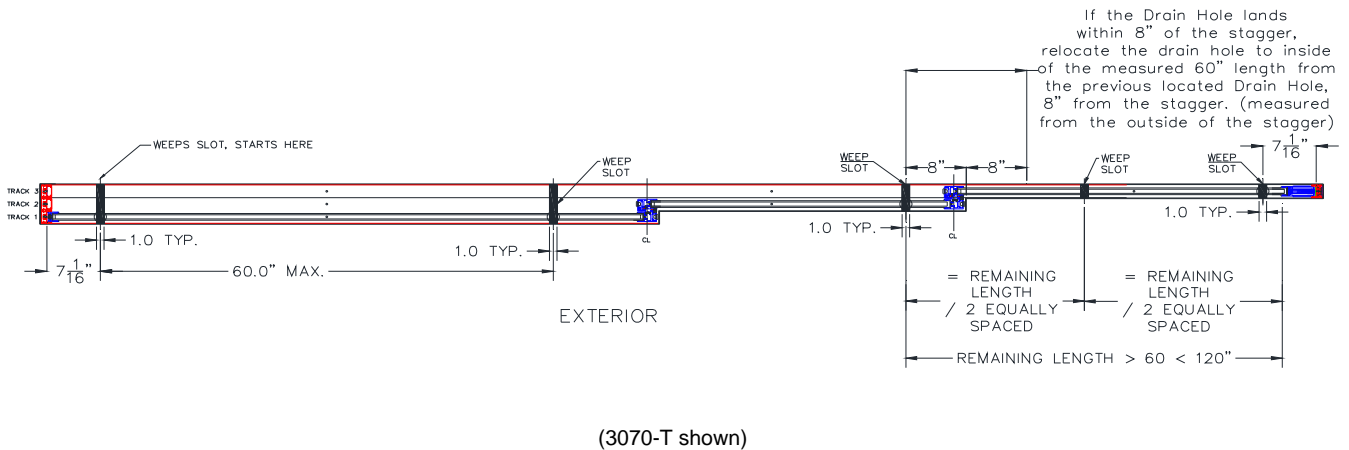


3. Confirm Weeping Slots

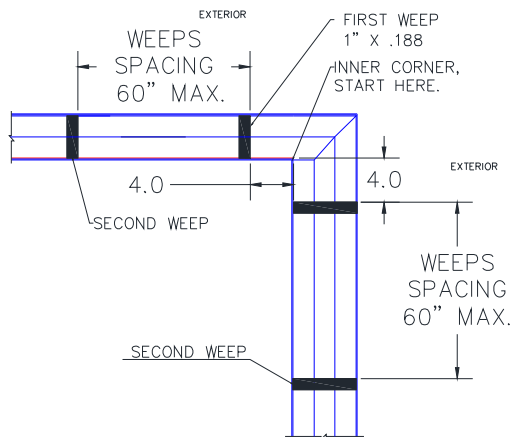
- Weeps Slots should be 7 1/16" from the ends and less than 60" (equally spaced) for proper drainage.
- Non-staggered sub-sill top view shown below.



- Staggered sub-sill top view shown below

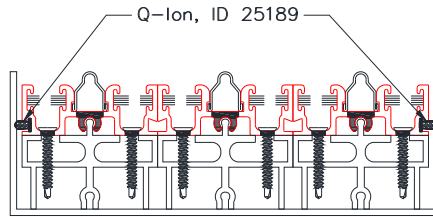


- Corner subsill top view shown below.



4. Q-Ion

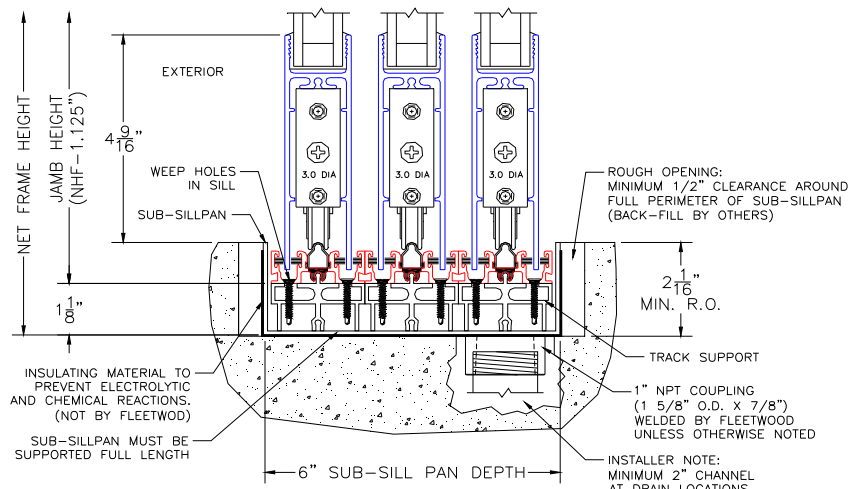
- Install Q-Ion seal (25489) into the sill as shown below before setting the sill into the Sub-Sillpan.



(3070 shown)

5. Insulating Material

- It is necessary to use an insulating material between the outer edge of the Sub-Sillpan and the rough opening. Direct contact with grout, concrete, or dissimilar metal can lead to corrosion of the Sub-Sillpan pan.



(3070 shown)

6. Back Fill

- Do not back-fill until door operation is fully tested, including locking into jamb(s) and locking into pocket interlocker (when applicable).
- Verify you have access to drainage connections and clean out as necessary.