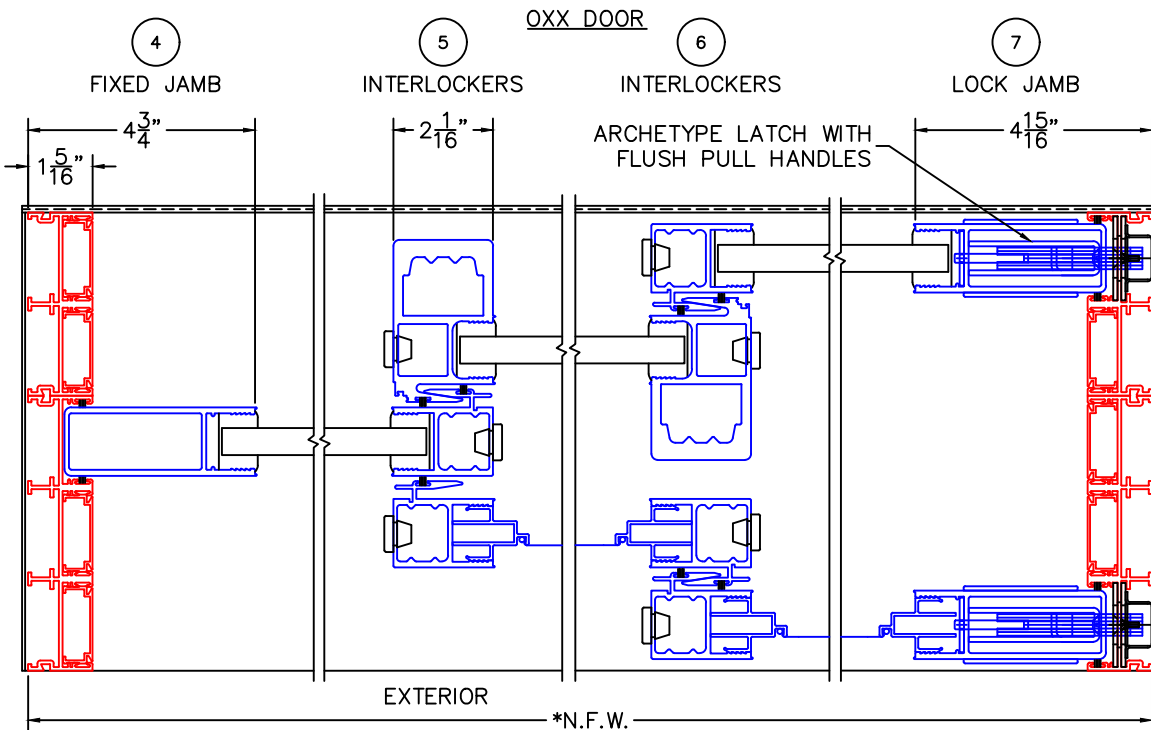
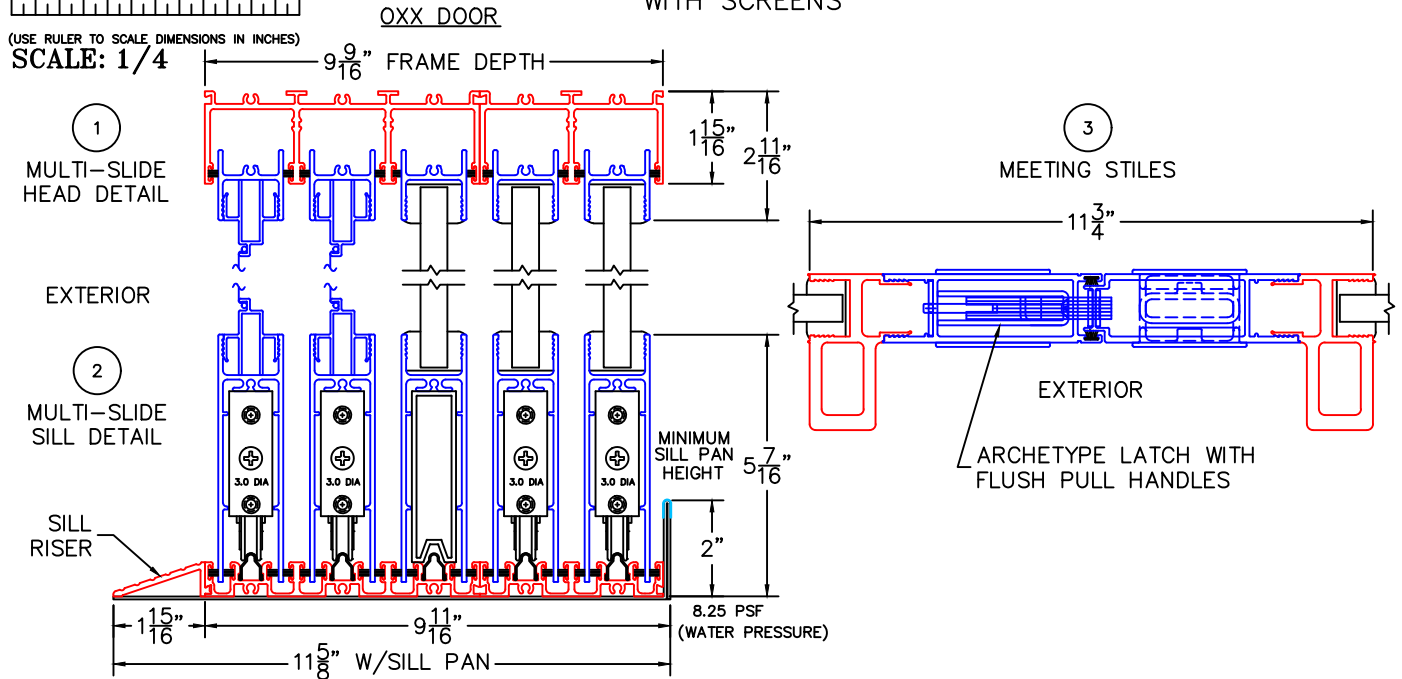
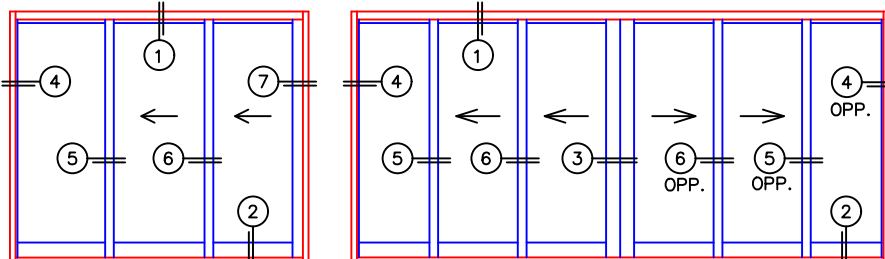


(USE RULER TO SCALE DIMENSIONS IN INCHES)  
**SCALE: 1/4"**

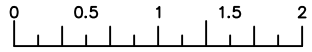
**MULTI-SLIDE DOOR DETAILS WITH SCREENS**



NOTE: CENTERLINES ARE NOT DIVIDED EQUALLY; CONFIRM CENTERLINES WHEN REQUIRED.



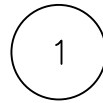
- \*NET FRAME WIDTH DOES NOT INCLUDE SILL PAN.
- SILL PAN EXTENDS 1/8" BEYOND EACH JAMB.
- PLAN VIEW DOES NOT SHOW RISER.
- EXTERIOR RATED PRODUCTS HAVE WEEP SLOTS ON HORIZONTAL SILLS.
- GLASS PENETRATION: 11/16"



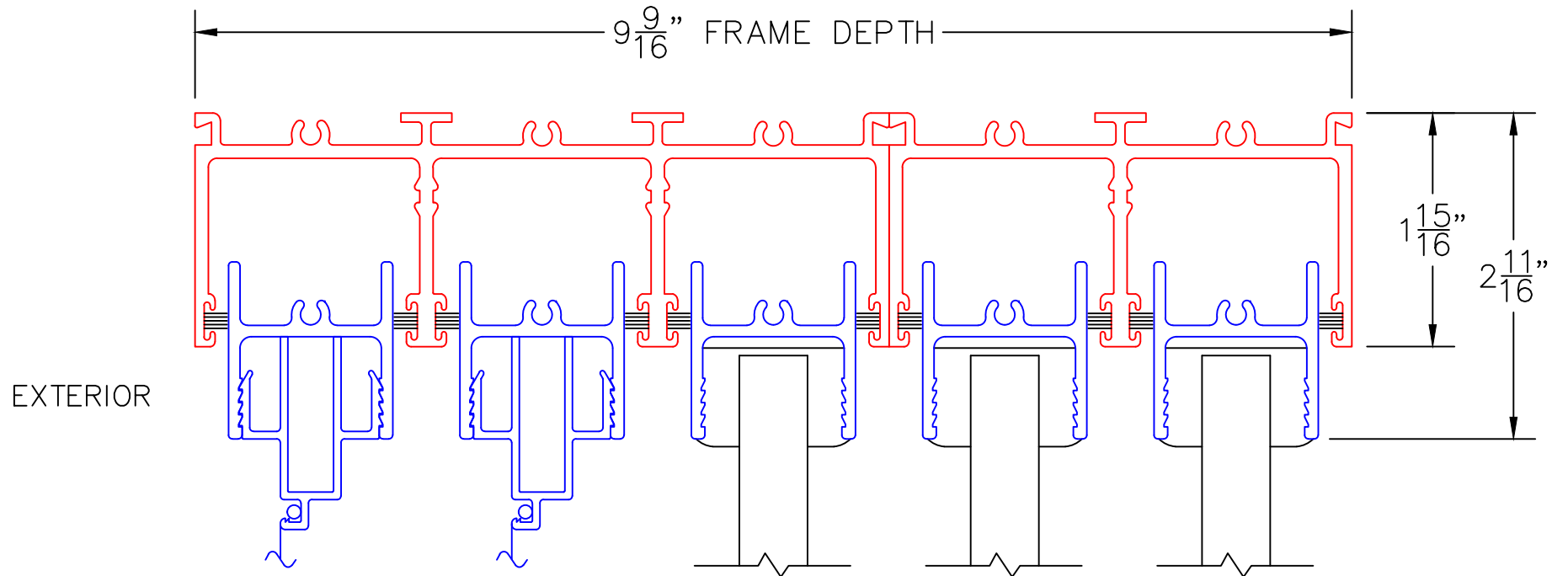
(USE RULER TO SCALE DIMENSIONS IN INCHES)

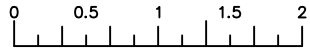
SCALE: 3/4

OXX DOOR



MULTI-SLIDE  
HEAD DETAIL

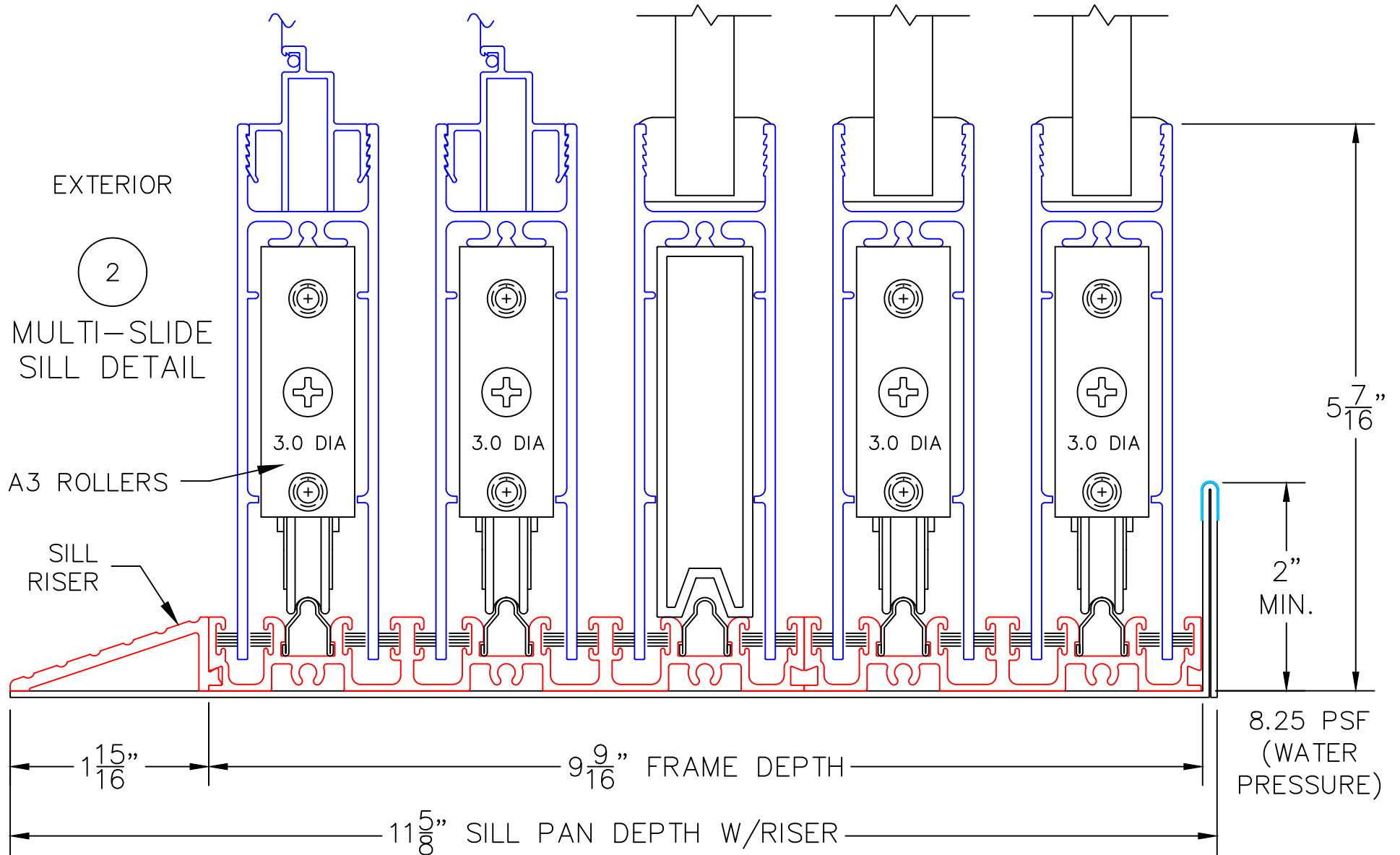


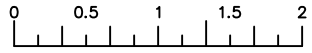


(USE RULER TO SCALE DIMENSIONS IN INCHES)

SCALE: 3/4

OXX DOOR





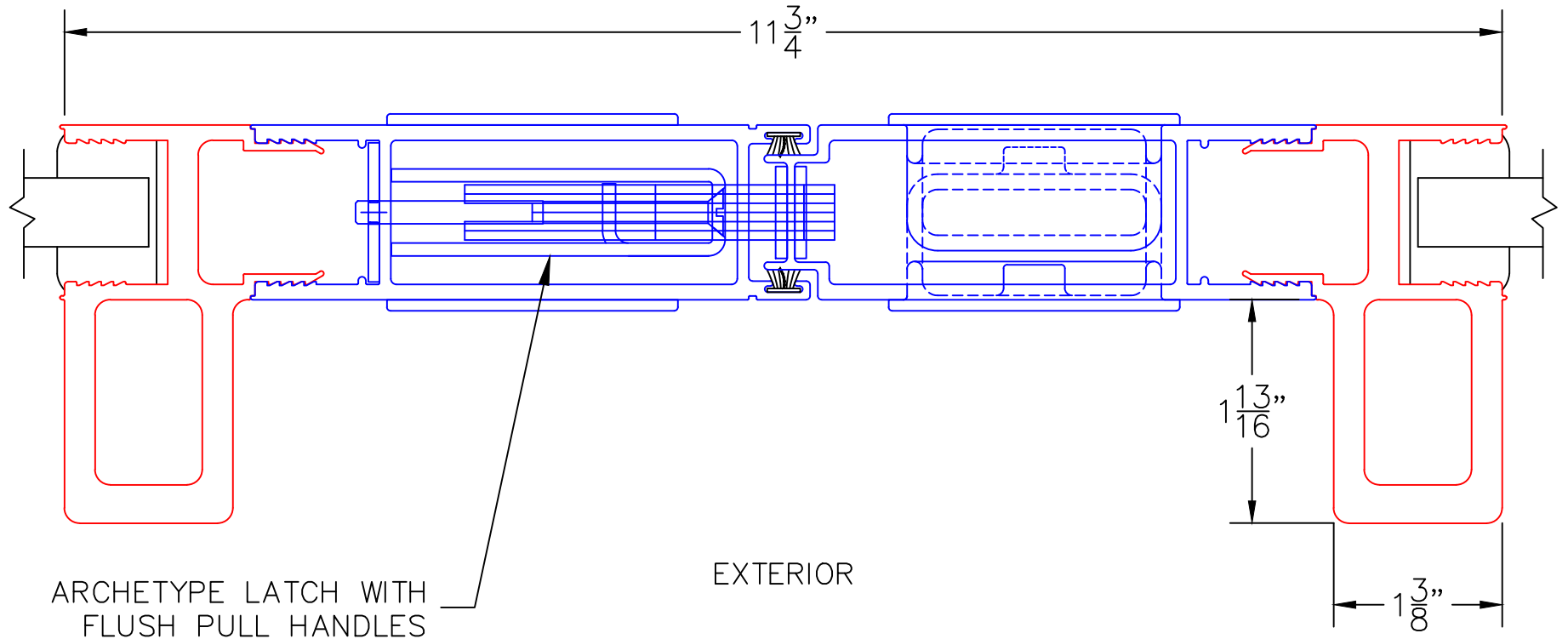
(USE RULER TO SCALE DIMENSIONS IN INCHES)

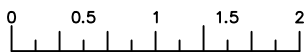
SCALE: 3/4

## OXXIXXO DOOR

3

### MEETING STILES





(USE RULER TO SCALE DIMENSIONS IN INCHES)

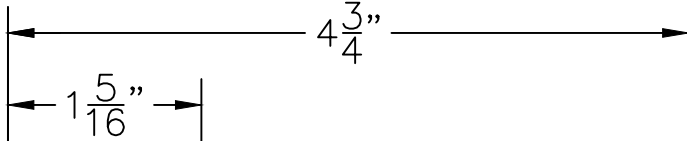
SCALE: 3/4

OXX DOOR

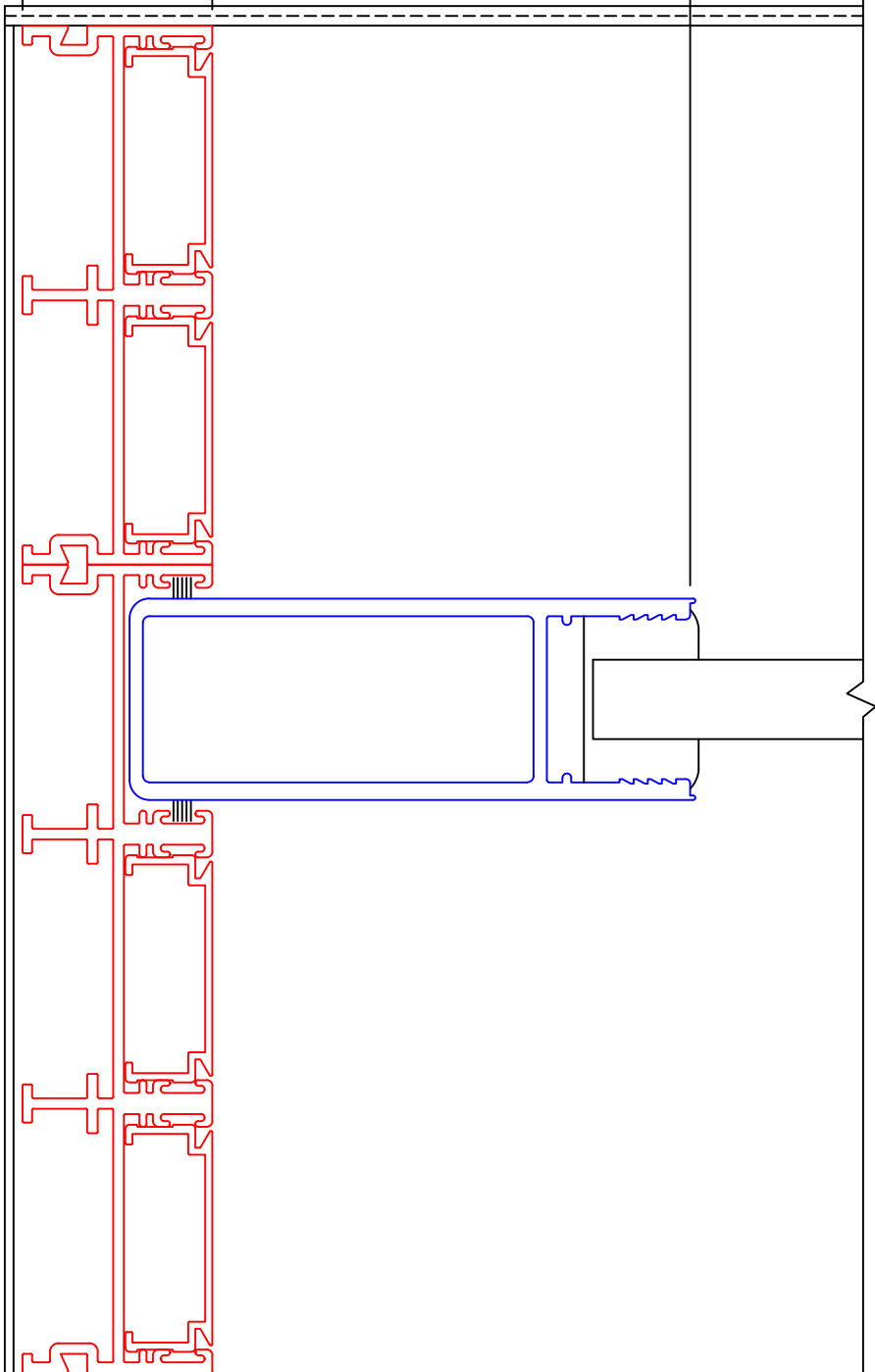


FIXED JAMB

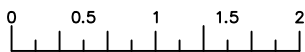
1/8" FOR  
SILL PAN



9 9/16" FRAME  
DEPTH



EXTERIOR



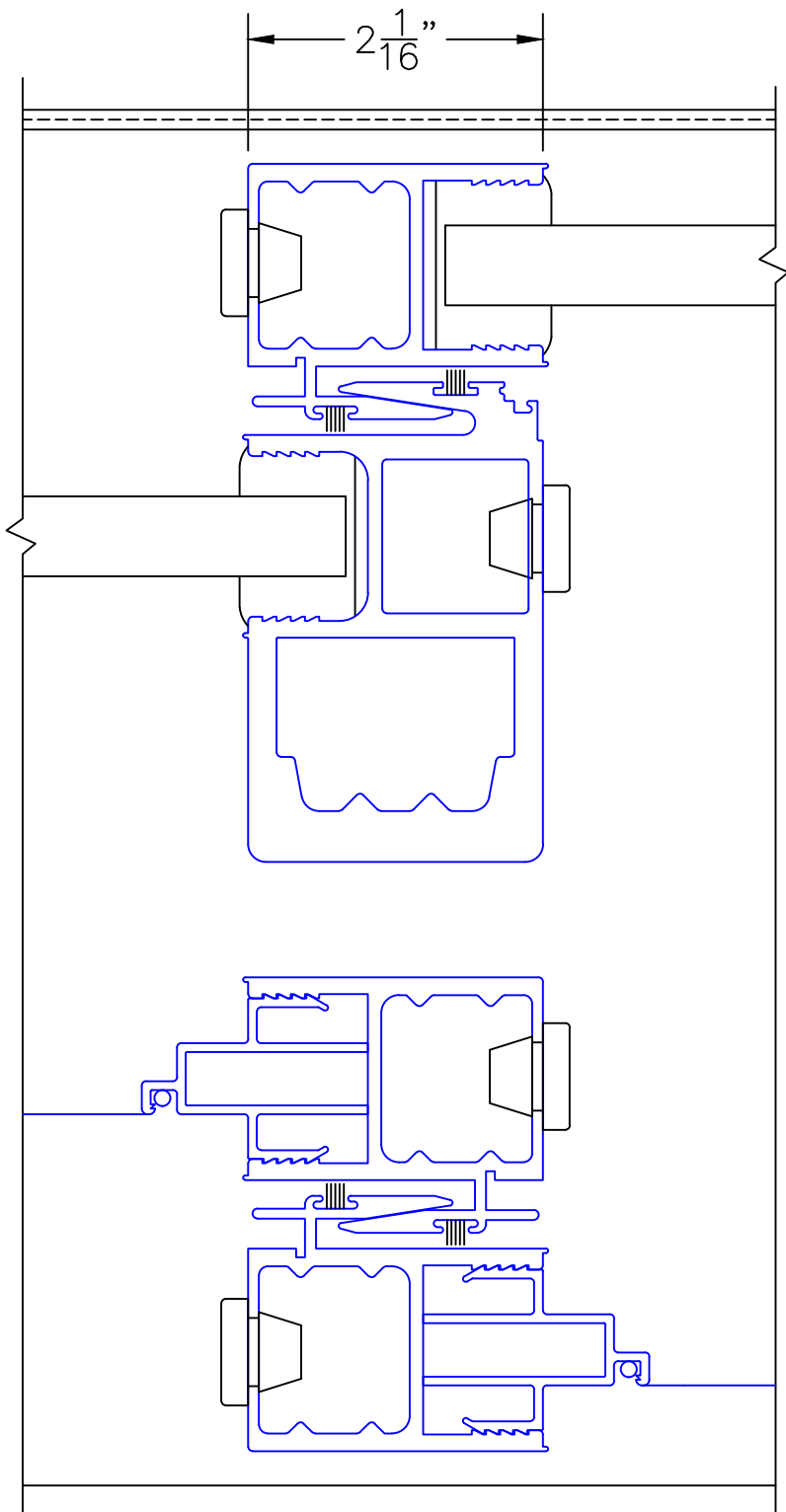
(USE RULER TO SCALE DIMENSIONS IN INCHES)

SCALE: 3/4

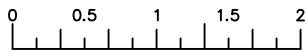
OXX DOOR

6

INTERLOCKERS



EXTERIOR



(USE RULER TO SCALE DIMENSIONS IN INCHES)

SCALE: 3/4

OXX DOOR

7

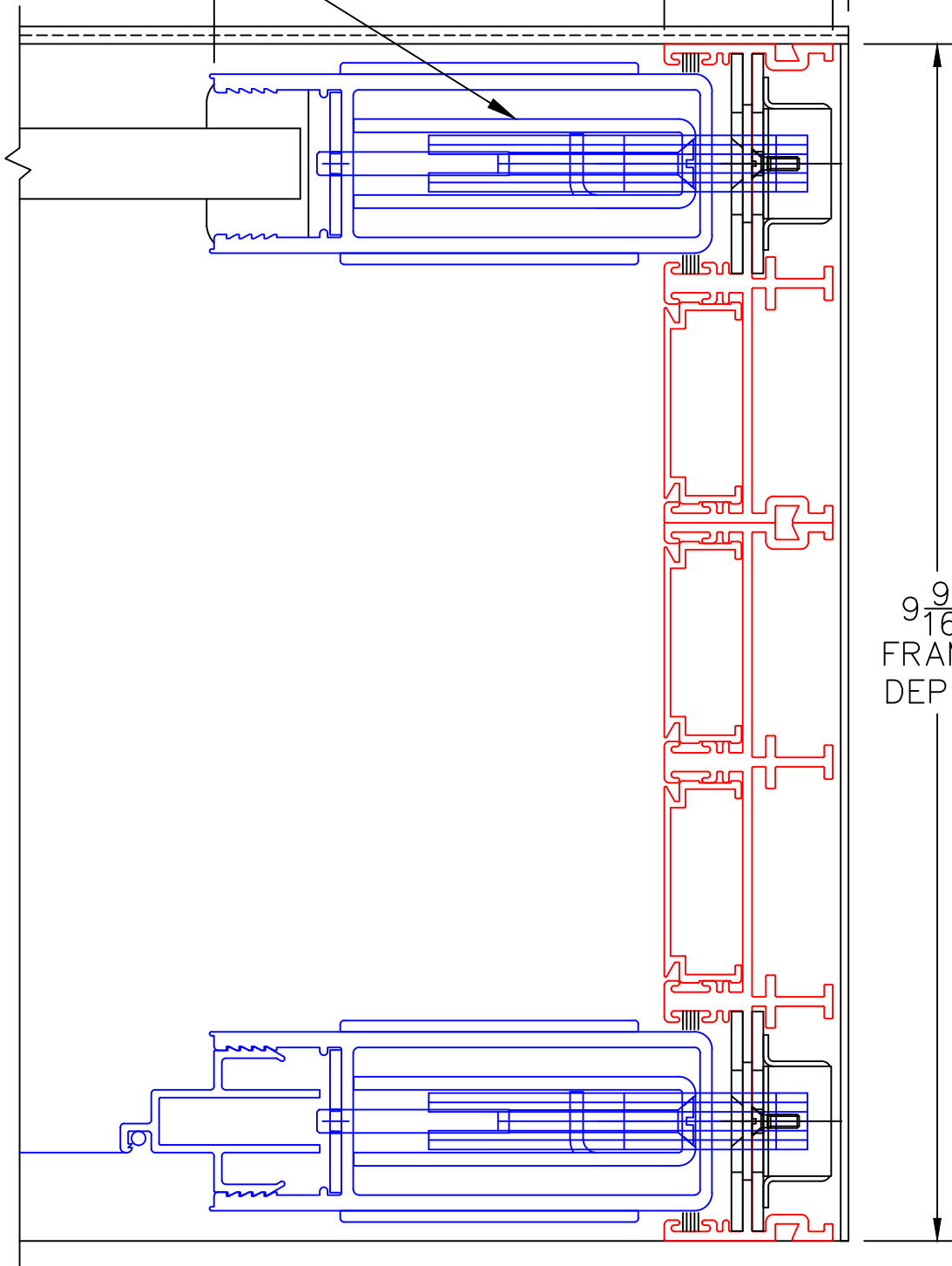
LOCK JAMB

1" FOR SILL PAN

ARCHETYPE LATCH WITH FLUSH PULL HANDLES

4 15/16"

1 5/16"



9 9/16" FRAME DEPTH

EXTERIOR