

NORWOOD 3070-HI-WG

IMPACT RATED MULTI-SLIDE & POCKET DOOR



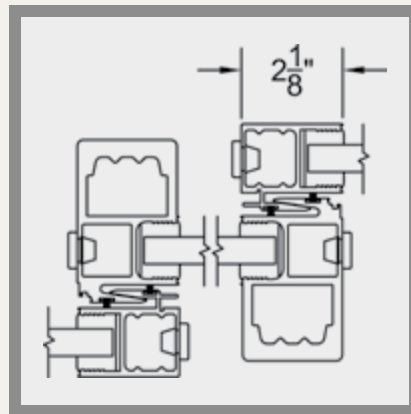
<p>TYPICAL CONFIGURATIONS</p> <ul style="list-style-type: none"> • Multi-Slide, Pocket and Corner applications. 	<p>↔ MAX PANEL WIDTH</p> <p>58.75"</p>	<p>↕ MAX PANEL HEIGHT</p> <p>130"</p>
---------------------------------------------------------------------------------------------------------------------------------------	-----------------------------------------------	----------------------------------------------

Designed and tested to exceed the Miami-Dade County Florida large missile impact test requirements. Miami-Dade County, Florida NOA No. 08-0516.01 (exp. 11/28/2013)



Florida Testing:

The 3070-HI-WG was tested and certified to meet the rigid performance requirements of the Florida Building Code (FBC). We achieved design pressures up to +65/-75 PSF in panel sizes as large as 58" x 130". Imagine the large openings that can be filled with very few, slender vertical lines. For more detailed information, visit the product page online and review the Miami-Dade County NOA report.



Narrow Interlockers:

Most other impact rated sliding door products have a large vertical sightline at the interlockers. This of course is a negative aspect, especially if the homeowner has a beautiful view. Even though the "HI-WG" performs mightily, it boasts a slender 2-1/8" interlocker dimension.

