

ASSEMBLY / PARTS LIST (B.O.M.)

SERIES: 3050
CONFIGURATION: XXIXX

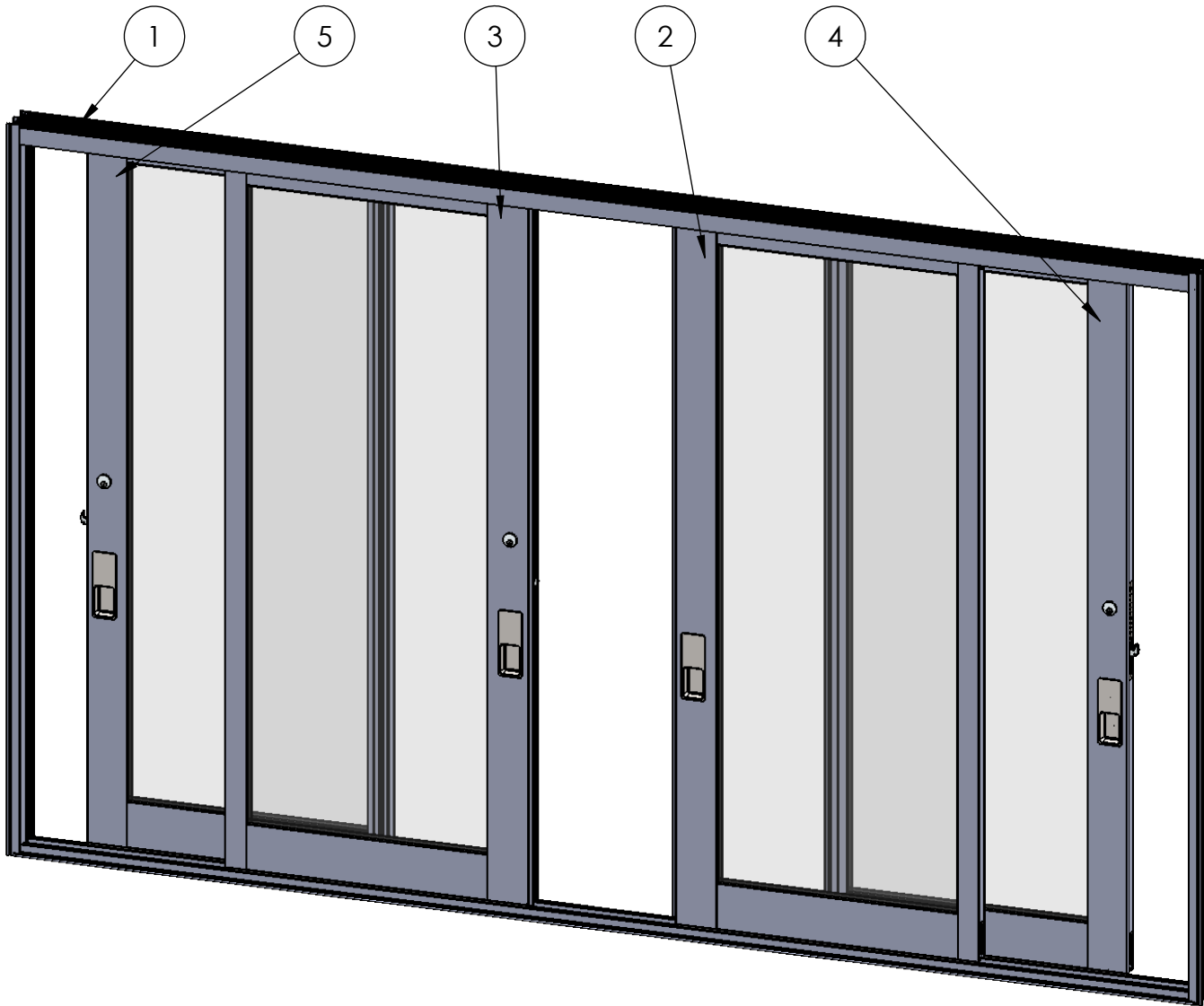
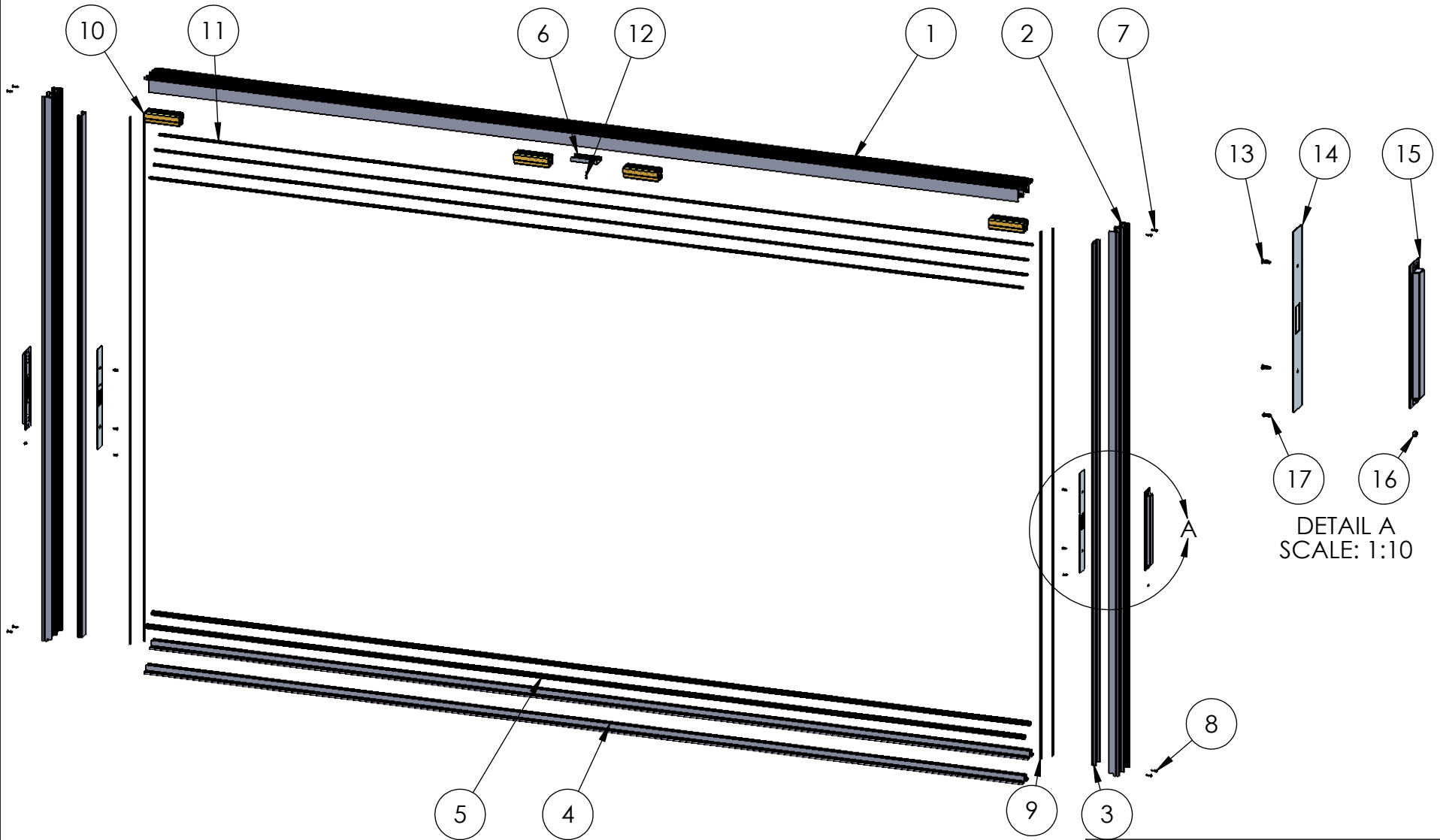


TABLE OF CONTENTS		
ITEM NO.	DESCRIPTION	PAGE #
1	Frame Assembly	2-3
2	Panel 1	4-5
3	Panel 2	6-7
4	Panel 3	8-9
5	Panel 4	10-11

Description Table of Contents	
File Name Series 3050 XXIXX Assembly No Screens	REV
Released 8/31/2018	SHEET 1 OF 11

PROPRIETARY AND CONFIDENTIAL
 THE INFORMATION CONTAINED IN THIS DRAWING IS THE SOLE PROPERTY OF FLEETWOOD WINDOWS & DOORS.
 ANY REPRODUCTION IN PART OR AS A WHOLE WITHOUT THE WRITTEN PERMISSION OF FLEETWOOD WINDOWS & DOORS IS PROHIBITED.

ASSEMBLY / PARTS LIST (B.O.M.)



DETAIL A
 SCALE: 1:10

Description	
Frame Assembly	
File Name	REV
Series 3050 XXIXX Assembly No Screens	
Released	SHEET 2 OF 11
8/31/2018	

PROPRIETARY AND CONFIDENTIAL
 THE INFORMATION CONTAINED IN THIS DRAWING IS THE SOLE PROPERTY OF FLEETWOOD WINDOWS & DOORS.
 ANY REPRODUCTION IN PART OR AS A WHOLE WITHOUT THE WRITTEN PERMISSION OF FLEETWOOD WINDOWS & DOORS IS PROHIBITED.

ASSEMBLY / PARTS LIST (B.O.M.)

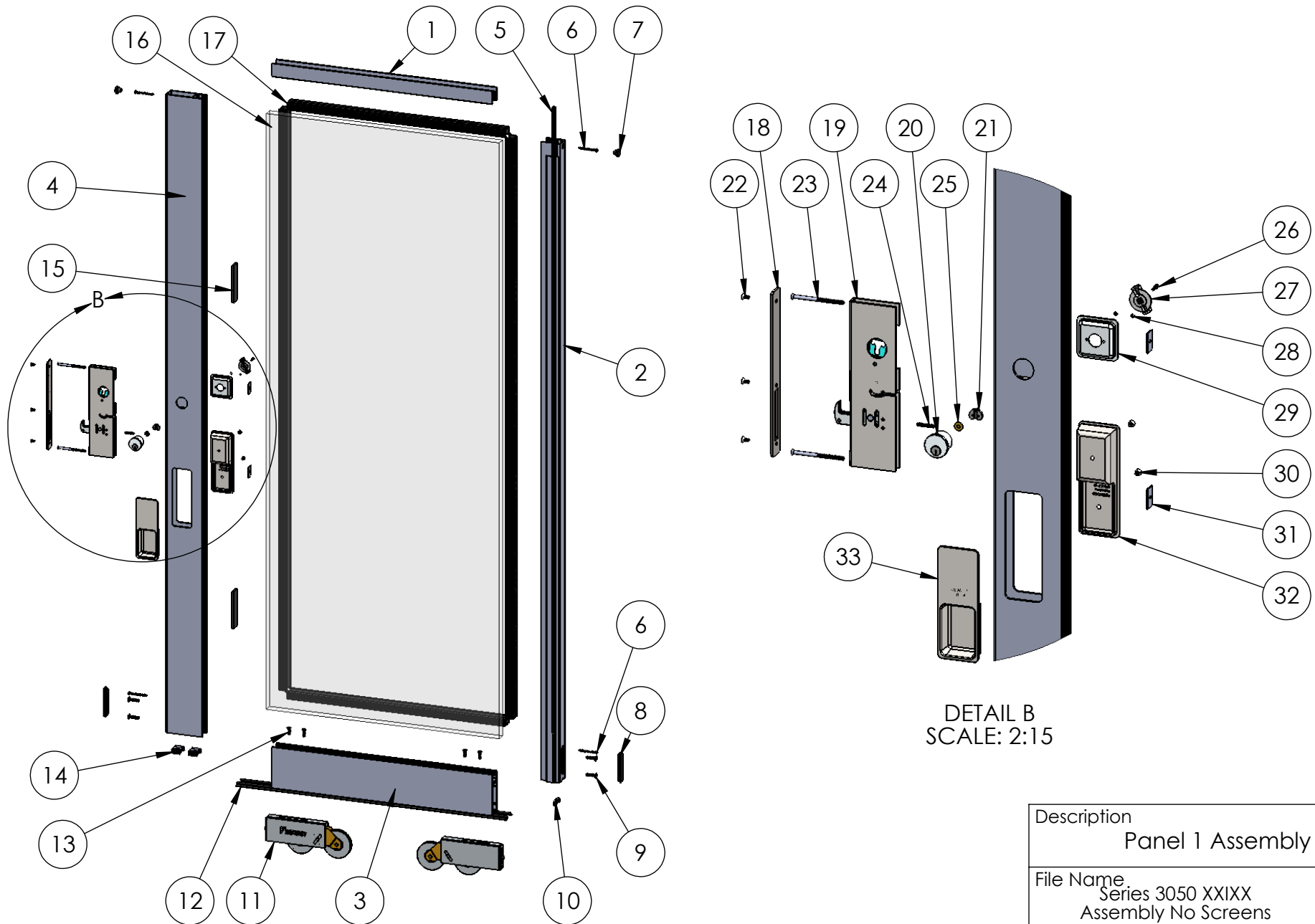
EXTRUSIONS			
ITEM NO.	PART NUMBER	DESCRIPTION	QTY.
1	3702	Multi-Slide Head (2 Track)	1
2	3712	Multi-Slide Jamb (2 Track)	2
3	3710	Jamb Filler	2
4	1092	1 in Hidden Track	2
5	FW1020	Standard Stainless Steel Track Insert 0.5625 in.	2
6	3040	Head Antilift	1
HARDWARE			
ITEM NO.	PART NUMBER	DESCRIPTION	QTY.
7	20345	#10 PHP - A Screw, 0.75 in, Zinc	4
8	20347	#10 PHP Screw, 0.75 in, SS, Clear	4
9	25757	Q-Lon Foam Seal (Q200T270)	4
10	24101	Bumper, Sliding Door Honeycomb Head Installation	4
11	19118	Small Fin Seal Mohair (23027045BKGB)	4
12	20247	#8, FHP - A Screw, 1 in, SS, Clear	1
13	20278	#10-32 FHP-B-UC Screw, 0.5625 in, SS, Clear	4
14	24067	Strike Plate	2
15	24068	Backup Plate (With Dust Cover)	2
16	25498	#8-32 Nut With Nylon-Insert Hex Locknut, SS	2
17	25497	#8-32 FHC-UC Screw, 0.50 in, SS	2

Description Frame Assembly B.O.M.	
File Name Series 3050 XXIXX Assembly No Screens	REV
Released	8/31/2018
SHEET 3 OF 11	

PROPRIETARY AND CONFIDENTIAL

THE INFORMATION CONTAINED IN THIS DRAWING IS THE SOLE PROPERTY OF FLEETWOOD WINDOWS & DOORS.
ANY REPRODUCTION IN PART OR AS A WHOLE WITHOUT THE WRITTEN PERMISSION OF FLEETWOOD WINDOWS & DOORS IS PROHIBITED.

ASSEMBLY / PARTS LIST (B.O.M.)



DETAIL B
SCALE: 2:15

PROPRIETARY AND CONFIDENTIAL
THE INFORMATION CONTAINED IN THIS DRAWING IS THE SOLE PROPERTY OF FLEETWOOD WINDOWS & DOORS.
ANY REPRODUCTION IN PART OR AS A WHOLE WITHOUT THE WRITTEN PERMISSION OF FLEETWOOD WINDOWS & DOORS IS PROHIBITED.

Description Panel 1 Assembly	
File Name Series 3050 XXIXX Assembly No Screens	REV
Released 8/31/2018	SHEET 4 OF 11



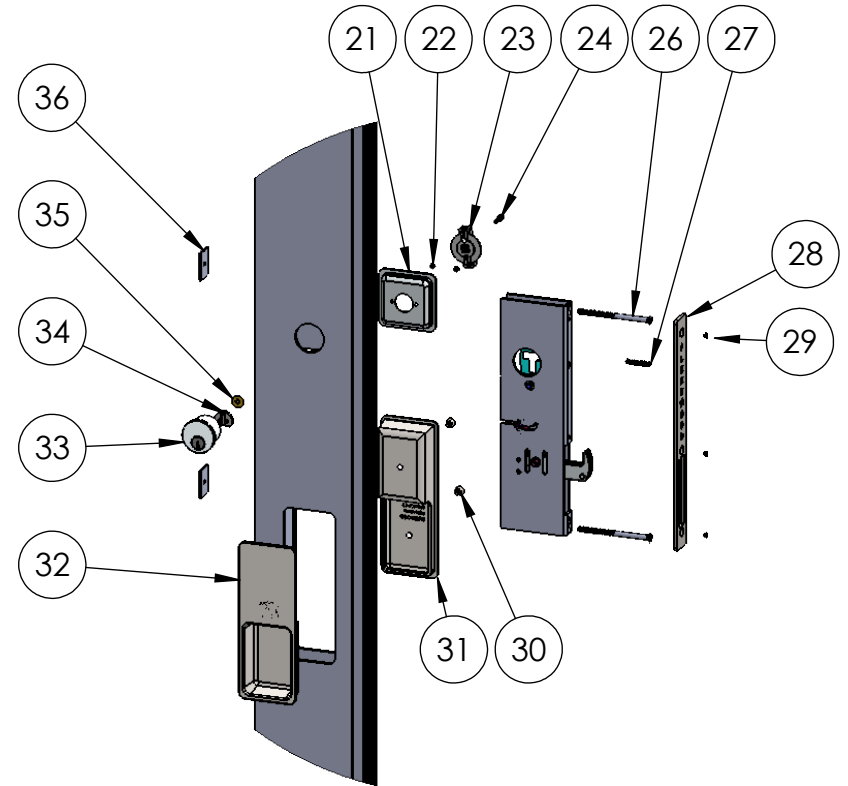
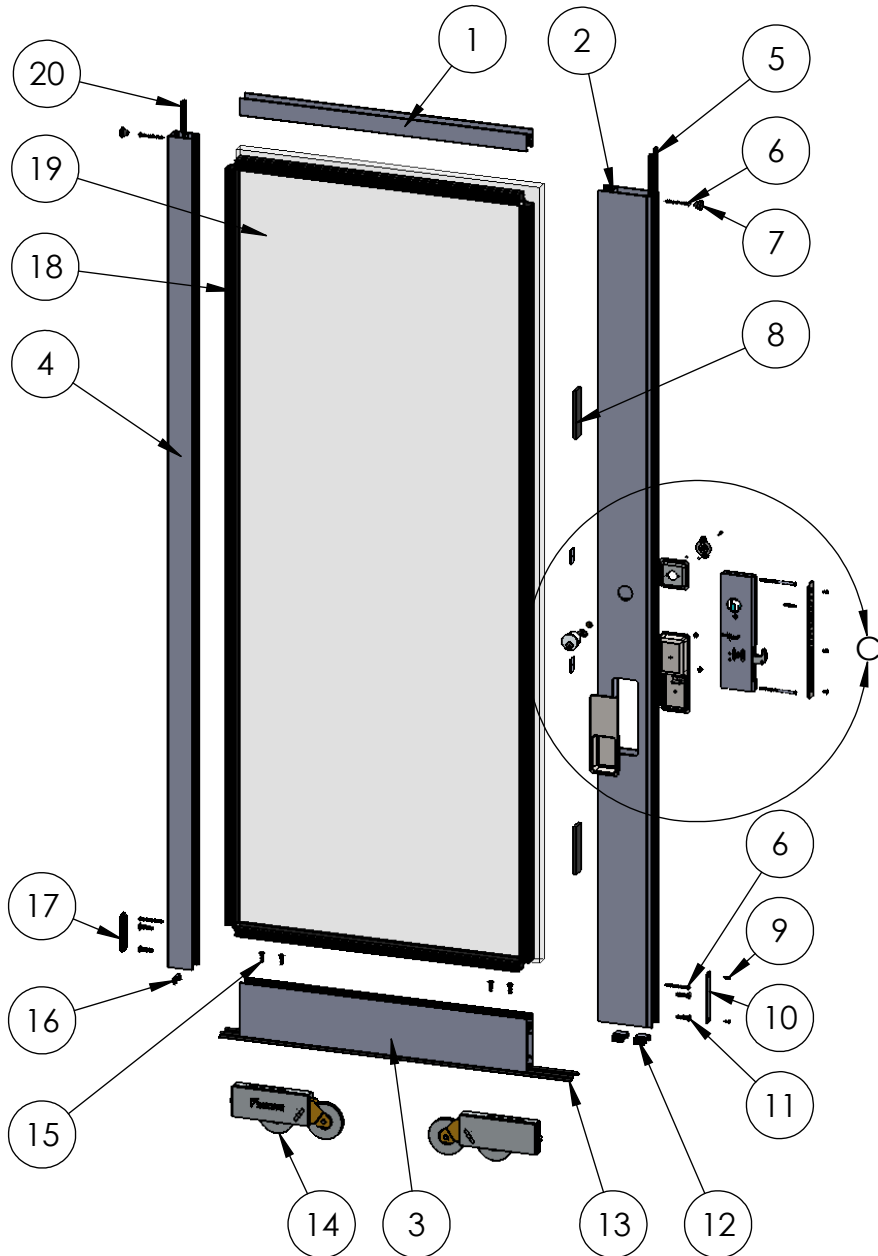
ASSEMBLY / PARTS LIST (B.O.M.)

EXTRUSIONS				HARDWARE			
ITEM NO.	PART NUMBER	DESCRIPTION	QTY.	ITEM NO.	PART NUMBER	DESCRIPTION	QTY.
1	3004	Top Rail DG	1	23	25729	#10-32 FHP, 3, SS, Clear	2
2	3006	Interlocker DG	1	24	24935	#8-32 Set Screw, 1 in	1
3	3099	Mammoth Sliding Bottom Rail DG	1	25	24781	Brass Bushing - Key Cylinder Reg. Arch.	1
4	3767	Lock Stile (Archetype)	1	26	24072, 24094	#6-32, Hex Socket Head Cap, Self Locking, 1/2", SS (Clear, Black)	1
HARDWARE				27	24079, 24766	Archetype Actuator (Black, SS)	1
ITEM NO.	PART NUMBER	DESCRIPTION	QTY.	28	24074	#4-40 FHP, UC, 1/8", SS, Clear	2
5	19117	Large Fin Seal Mohair (29027045BKGB)	1	29	24767	Archetype Actuator Pocket, XO, SS	1
6	20355	#10 PHP -A, 2", SS, Clear	4	30	26049, 25325	#8-32 FHS - B, 0.375 in, SS, (Clear, Black)	2
7	20635	Small Round Panel Plug (All Doors)	2	31	18671	Back Up Plate # 10-32 x 0.075 Thk.	2
8	20478	Oval Panel Plug - 3070/3050	2	32	24089, 24091	Archetype Handle, Inside, with Gasket	1
9	20359	#1/4-20 PHP-B Screw, 1"	4	33	24090, 24092	Archetype Handle, Outside, with Gasket	1
10	19142	.250 in Length Bottom Vent Clip	1				
11	18883	A3 Roller	2				
12	19064	Sill, Wipe, Bottom Vinyl, BL-122	2				
13	20305	1/4-20 FHP - B, 3/4", SS Clear	4				
14	19141	Bottom Vent Clip	2				
15	18620	Setting Block 4" x 1/4"x1"	2				
16	-	Glass	1				
17	22909	1 inch Glazing Vinyl (Shown)	1				
18	24075	Archetype Faceplate	1				
19	24077	Archetype XO Primary Latch, RH Latch	1				
20	25356, 24782	Archetype Keyed Cylinder (SS) (KA,KD) (with Cam/Bushing/Screw)	1				
21	24780	Cam - (for the Archetype Key Cylinder)	1				
22	24076	#8-32 FHS Countersunk Screw, .375 in, SS	3				

Description Panel 1 B.O.M.	
File Name Series 3050 XXIXX Assembly No Screens	REV
Released 8/31/2018	SHEET 5 OF 11

PROPRIETARY AND CONFIDENTIAL
 THE INFORMATION CONTAINED IN THIS DRAWING IS THE SOLE PROPERTY OF FLEETWOOD WINDOWS & DOORS.
 ANY REPRODUCTION IN PART OR AS A WHOLE WITHOUT THE WRITTEN PERMISSION OF FLEETWOOD WINDOWS & DOORS IS PROHIBITED.

ASSEMBLY / PARTS LIST (B.O.M.)



DETAIL C
SCALE: 2:15

PROPRIETARY AND CONFIDENTIAL
THE INFORMATION CONTAINED IN THIS DRAWING IS THE SOLE PROPERTY OF FLEETWOOD WINDOWS & DOORS.
ANY REPRODUCTION IN PART OR AS A WHOLE WITHOUT THE WRITTEN PERMISSION OF FLEETWOOD WINDOWS & DOORS IS PROHIBITED.

Description Panel 2 Assembly	
File Name Series 3050 XXIXX Assembly No Screens	REV
Released	8/31/2018
SHEET 6 OF 11	



ASSEMBLY / PARTS LIST (B.O.M.)

EXTRUSIONS			
ITEM NO.	PART NUMBER	DESCRIPTION	QTY.
1	3004	Top Rail DG	1
2	3707	Lock Stile with Female Yoke	1
3	3099	Mammoth Sliding Bottom Rail DG	1
4	3006	Interlocker DG	1

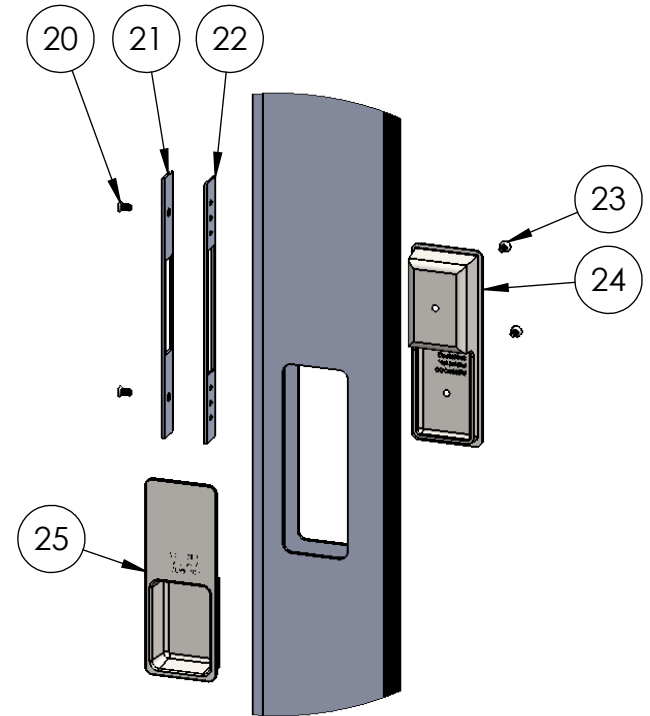
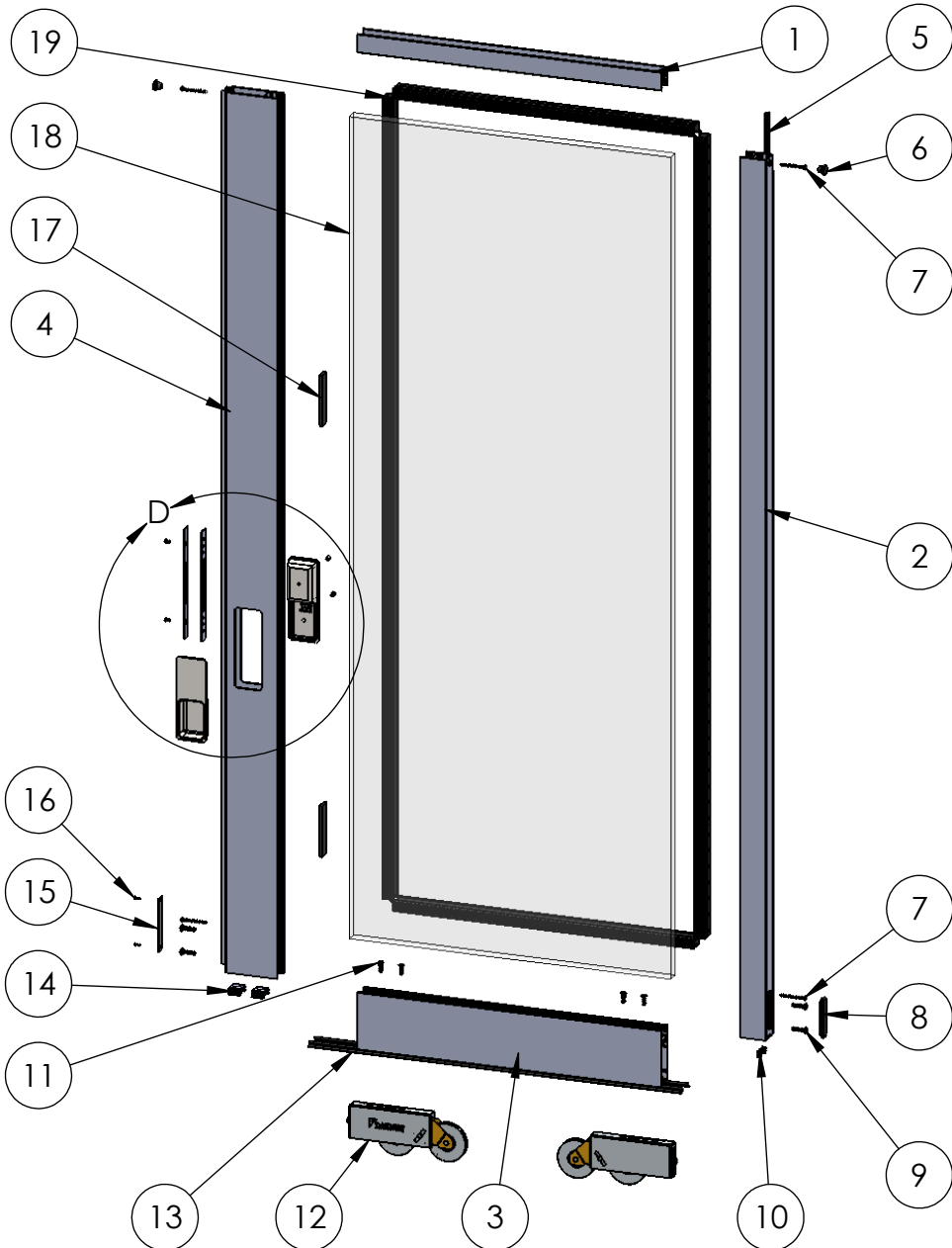
HARDWARE			
ITEM NO.	PART NUMBER	DESCRIPTION	QTY.
5	19118	Small Fin Seal Mohair (23027045BKGB)	2
6	20355	#10 PHP -A, 2", SS, Clear	4
7	20635	Small Round Panel Plug (All Doors)	2
8	18620	Setting Block 4" x 1/4"x1"	2
9	20240	#8 FHP-A-UC Screw, 1/2"	2
10	25035	Meeting Stile Bumper Cover Plate	1
11	20359	#1/4-20 PHP-B Screw, 1"	4
12	19141	Bottom Vent Clip	2
13	19064	Sill, Wipe, Bottom Vinyl, BL-122	2
14	18883	A3 Roller	2
15	20305	1/4-20 FHP - B, 3/4", SS Clear	4
16	19142	.250 in Length Bottom Vent Clip	1
17	20478	Oval Panel Plug - 3070/3050	1
18	22909	1 inch Glazing Vinyl (Shown)	1
19	-	Glass	1
20	19117	Large Fin Seal Mohair (29027045BKGB)	1
21	24765	Archetype Actuator Pocket, OX, SS	1

HARDWARE			
ITEM NO.	PART NUMBER	DESCRIPTION	QTY.
22	24074	#4-40 FHP, UC, 1/8", SS, Clear	2
23	24079, 24766	Archetype Actuator (Black, SS)	1
24	24072, 24094	#6-32, Hex Socket Head Cap, Self Locking, 1/2", SS (Clear, Black)	1
25	24070	Archetype OX Latch	1
26	25729	#10-32 FHP, 3, SS, Clear	2
27	24935	#8-32 Set Screw, 1 in	1
28	24075	Archetype Faceplate	1
29	24076	#8-32 FHS Countersunk Screw, .375 in, SS	3
30	26049, 25325	#8-32 FHS - B, 0.375 in, SS, (Clear, Black)	2
31	24089, 24091	Archetype Handle, Inside, with Gasket	1
32	24090, 24092	Archetype Handle, Outside, with Gasket	1
33	25356, 24782	Archetype Keyed Cylinder (SS) (KA,KD) (with Cam/Bushing/Screw)	1
34	24780	Cam - (for the Archetype Key Cylinder)	1
35	24781	Brass Bushing - Key Cylinder Reg. Arch.	1
36	18671	Back Up Plate # 10-32 x 0.075 Thk.	2

Description Panel 2 B.O.M.	
File Name Series 3050 XXIXX Assembly No Screens	REV
Released 8/31/2018	SHEET 7 OF 11

PROPRIETARY AND CONFIDENTIAL
 THE INFORMATION CONTAINED IN THIS DRAWING IS THE SOLE PROPERTY OF FLEETWOOD WINDOWS & DOORS.
 ANY REPRODUCTION IN PART OR AS A WHOLE WITHOUT THE WRITTEN PERMISSION OF FLEETWOOD WINDOWS & DOORS IS PROHIBITED.

ASSEMBLY / PARTS LIST (B.O.M.)



PROPRIETARY AND CONFIDENTIAL
THE INFORMATION CONTAINED IN THIS DRAWING IS THE SOLE PROPERTY OF FLEETWOOD WINDOWS & DOORS.
ANY REPRODUCTION IN PART OR AS A WHOLE WITHOUT THE WRITTEN PERMISSION OF FLEETWOOD WINDOWS & DOORS IS PROHIBITED.

Description Panel 3 Assembly	
File Name Series 3050 XXIXX Assembly No Screens	REV
Released 8/31/2018	SHEET 8 OF 11

ASSEMBLY / PARTS LIST (B.O.M.)

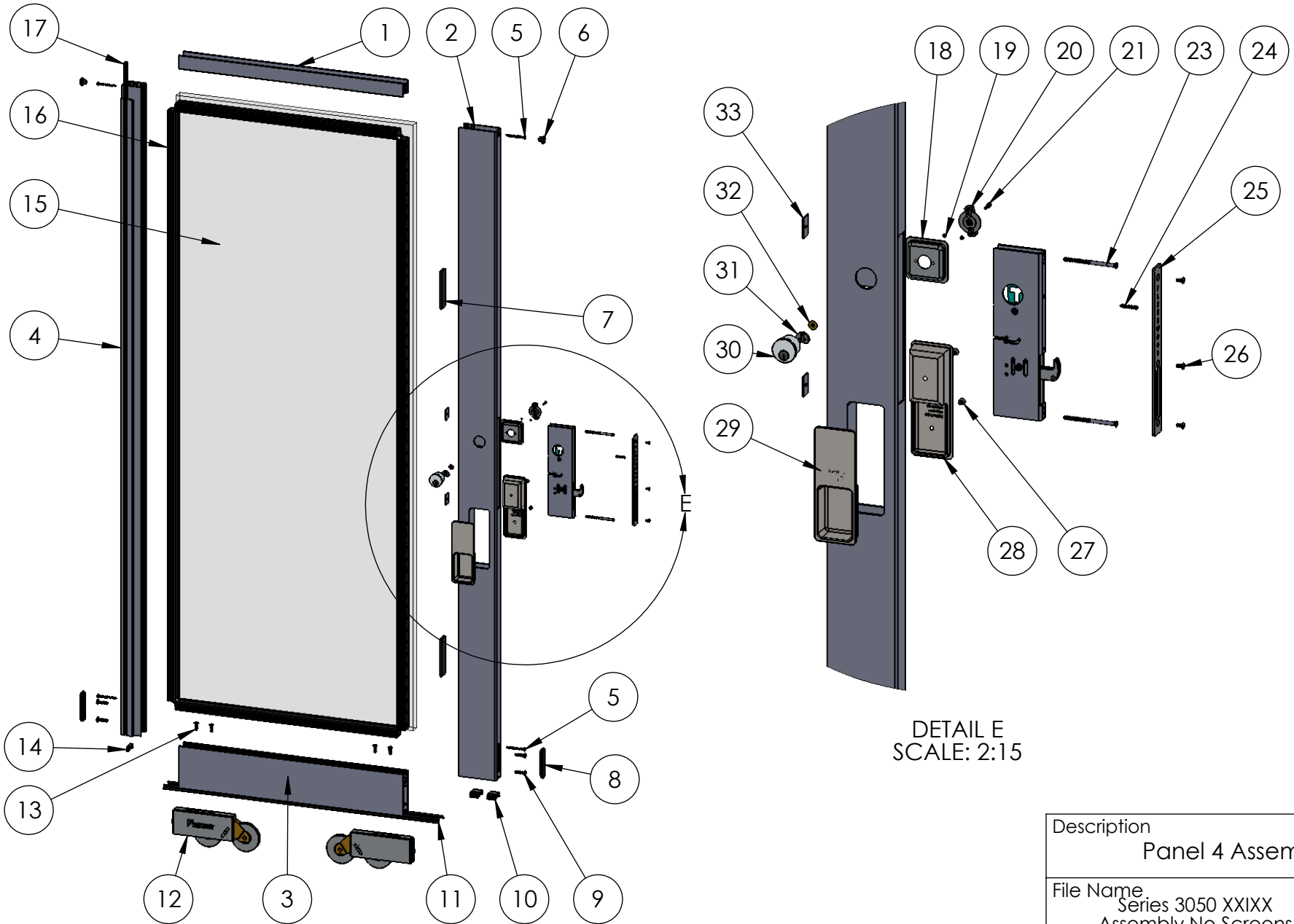
EXTRUSIONS			
ITEM NO.	PART NUMBER	DESCRIPTION	QTY.
1	3004	Top Rail DG	1
2	3006	Interlocker DG	1
3	3099	Mammoth Sliding Bottom Rail DG	1
4	3706	Lock Stile with Male Yoke	1

HARDWARE			
ITEM NO.	PART NUMBER	DESCRIPTION	QTY.
5	19117	Large Fin Seal Mohair (29027045BKGB)	1
6	20635	Small Round Panel Plug (All Doors)	2
7	20355	#10 PHP -A, 2", SS, Clear	4
8	20478	Oval Plug - Long	1
9	20359	#1/4-20 PHP-B Screw, 1"	4
10	19142	.250 in Length Bottom Vent Clip	1
11	20305	1/4-20 FHP - B, 3/4", SS Clear	4
12	18883	A3 Roller	2
13	19064	Sill, Wipe, Bottom Vinyl, BL-122	2
14	19141	Bottom Vent Clip	2
15	25035	Meeting Stile Bumper Cover Plate	1
16	20240	#8 FHP-A-UC Screw, 1/2"	2

HARDWARE			
ITEM NO.	PART NUMBER	DESCRIPTION	QTY.
17	18620	Setting Block 4" x 1/4"x1"	2
18	-	Glass	1
19	22909	1 inch Glazing Vinyl (Shown)	1
20	20266	Screw No.10-32, Flat Undercut Head Phil.,0.375 In	2
21	24980	Strike Plate, Meeting Stile	1
22	24981	Strike Backup Plate, Meeting Stile	1
23	26049, 25325	#8-32 FHS - B, 0.375 in, SS, (Clear, Black)	2
24	24089, 24091	Archetype Handle, Inside, with Gasket	1
25	24090, 24092	Archetype Handle, Outside, with Gasket	1

Description Panel 3 B.O.M.	
File Name Series 3050 XXIXX Assembly No Screens	REV
Released 8/31/2018	SHEET 9 OF 11

ASSEMBLY / PARTS LIST (B.O.M.)



DETAIL E
SCALE: 2:15

PROPRIETARY AND CONFIDENTIAL
THE INFORMATION CONTAINED IN THIS DRAWING IS THE SOLE PROPERTY OF FLEETWOOD WINDOWS & DOORS.
ANY REPRODUCTION IN PART OR AS A WHOLE WITHOUT THE WRITTEN PERMISSION OF FLEETWOOD WINDOWS & DOORS IS PROHIBITED.

Description Panel 4 Assembly	
File Name Series 3050 XXIXX Assembly No Screens	REV
Released 8/31/2018	SHEET 10 OF 11

ASSEMBLY / PARTS LIST (B.O.M.)

EXTRUSIONS				HARDWARE			
ITEM NO.	PART NUMBER	DESCRIPTION	QTY.	ITEM NO.	PART NUMBER	DESCRIPTION	QTY.
1	3004	Top Rail DG	1	23	25729	#10-32 FHP, 3, SS, Clear	2
2	3767	Lock Stile (Archetype)	1	24	24935	#8-32 Set Screw, 1 in	1
3	3099	Bottom Rail DG	1	25	24075	Archetype Latch Faceplate	1
4	3006	Interlocker DG	1	26	24076	#8-32 FHS Countersunk Screw, .375 in, SS	3
HARDWARE				27	26049, 25325	#8-32 FHS - B, 0.375 in, SS, (Clear, Black)	2
5	20355	#10 PHP -A, 2", SS, Clear	4	28	24089, 24091	Archetype Handle, Inside, with Gasket (Clear, Black)	1
6	20635	Small Round Door Bumper	2	29	24090, 24092	Archetype Handle, Outside, with Gasket (Clear, Black)	1
7	18620	Setting Block 4" x 1/4"x1"	2	30	25356, 24782	Archetype Keyed Cylinder (SS) (KA,KD) (with Cam/Bushing/Screw)	1
8	20478	Oval Plug - Long	2	31	24780	Key Cylinder Cam	1
9	20359	#1/4-20 PHP-B Screw, 1"	4	32	24781	Archetype Brass Bushing	1
10	19141	Bottom Vent Clip	2	33	18671	Back Up Plate # 10-32 x 0.075 Thk.	2
11	19064	Sill, Wipe, Bottom Vinyl, BL-122	2				
12	18883	Archetype 3in Roller	2				
13	20305	1/4-20 FHP - B, 3/4", SS Clear	4				
14	19142	.250 in Length Bottom Vent Clip	1				
15	-	Glass	1				
16	22909	1 inch Glazing Vinyl (Shown)	1				
17	19117	Large Fin Seal Mohair (29027045BKGB)	1				
18	24765	Archetype Actuator Pocket, OX, SS	1				
19	24074	#4-40 FHP, UC, 1/8", SS, Clear	2				
20	24079, 24766	Archetype Actuator (Black, SS)	1				
21	24072, 24094	#6-32, Hex Socket Head Cap, Self Locking, 1/2", SS (Clear, Black)	1				
22	24070	Archetype OX Latch	1				

PROPRIETARY AND CONFIDENTIAL

THE INFORMATION CONTAINED IN THIS DRAWING IS THE SOLE PROPERTY OF FLEETWOOD WINDOWS & DOORS. ANY REPRODUCTION IN PART OR AS A WHOLE WITHOUT THE WRITTEN PERMISSION OF FLEETWOOD WINDOWS & DOORS IS PROHIBITED.

Description Panel 4 B.O.M.	
File Name Series 3050 XXIXX Assembly No Screens	REV
Released 8/31/2018	SHEET 11 OF 11