

ASSEMBLY / PARTS LIST (B.O.M.)

SERIES: 3050
CONFIGURATION: XX, NO SCREEN



TABLE OF CONTENTS

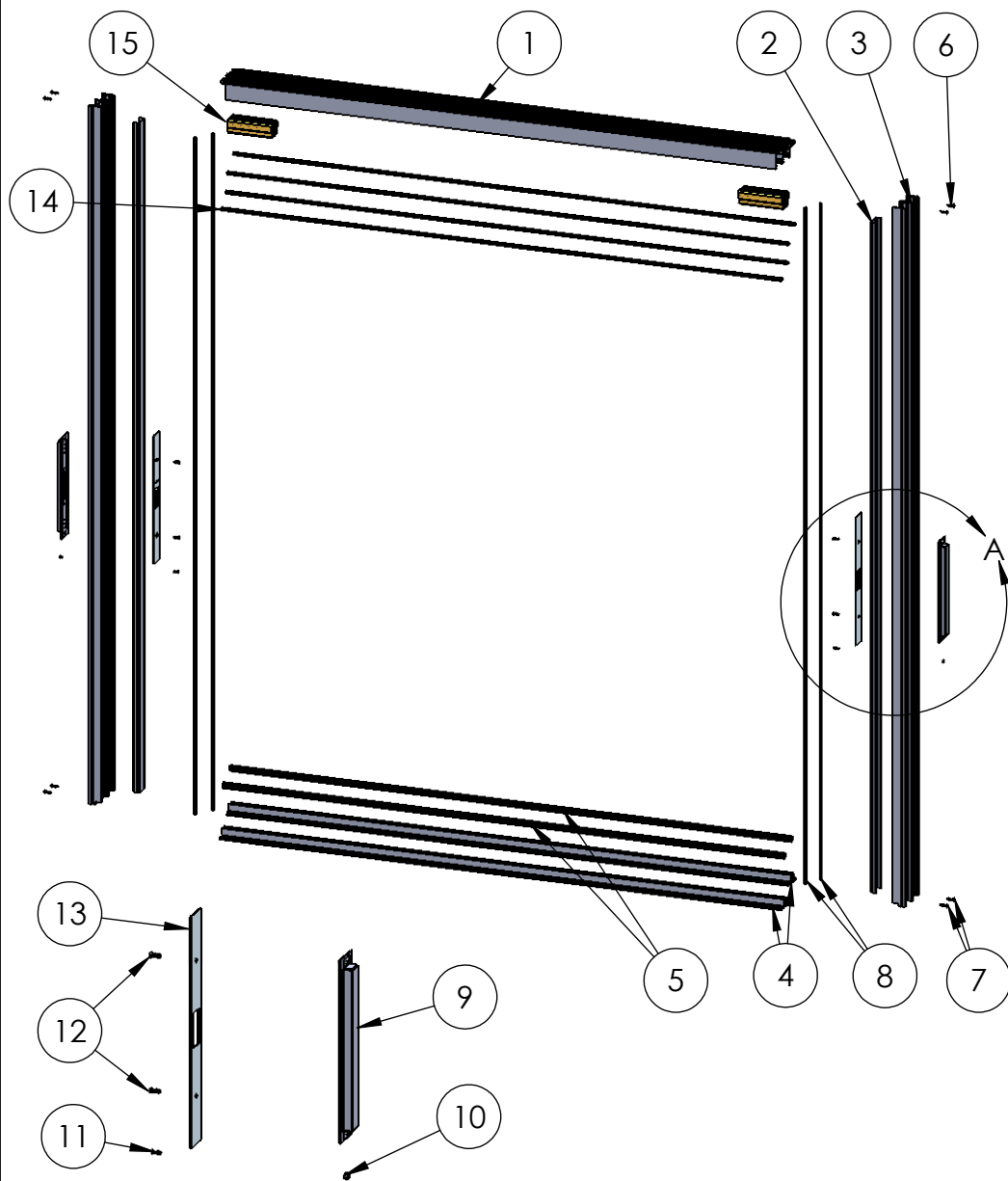
ITEM NO.	DESCRIPTION	QTY.	PAGE #
1	Frame Assembly	1	2
2	Panel 1	1	3-4
3	Panel 2	1	5-6

PROPRIETARY AND CONFIDENTIAL

THE INFORMATION CONTAINED IN THIS DRAWING IS THE SOLE PROPERTY OF FLEETWOOD WINDOWS & DOORS.
 ANY REPRODUCTION IN PART OR AS A WHOLE WITHOUT THE WRITTEN PERMISSION OF FLEETWOOD WINDOWS & DOORS IS PROHIBITED.

Description Table of Contents	
File Name Series 3050 XX Assembly No Screen	REV
Released 8/31/2018	SHEET 1 OF 6

ASSEMBLY / PARTS LIST (B.O.M.)



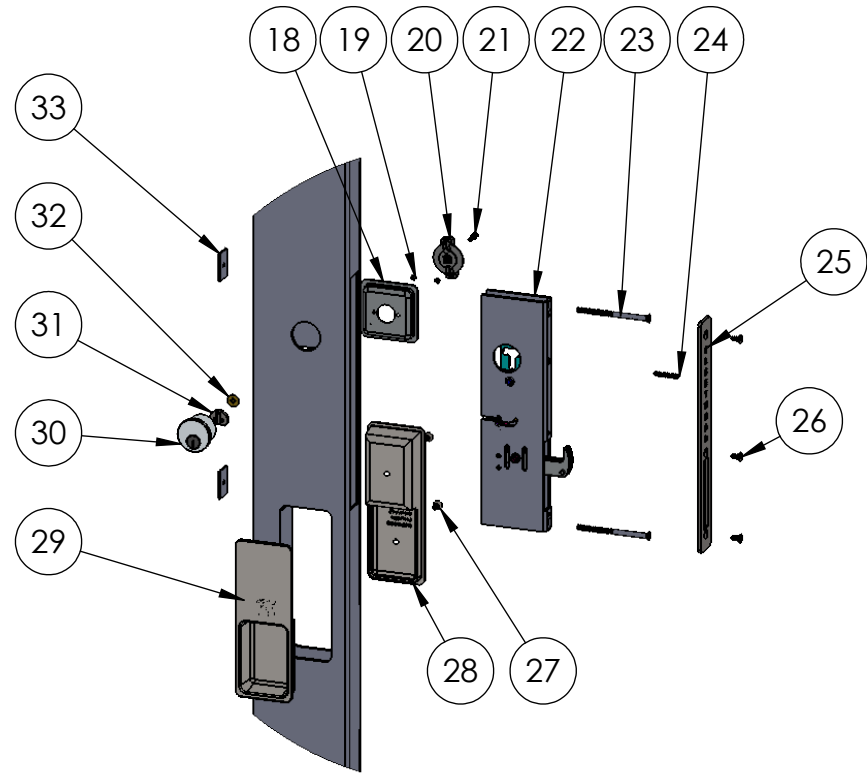
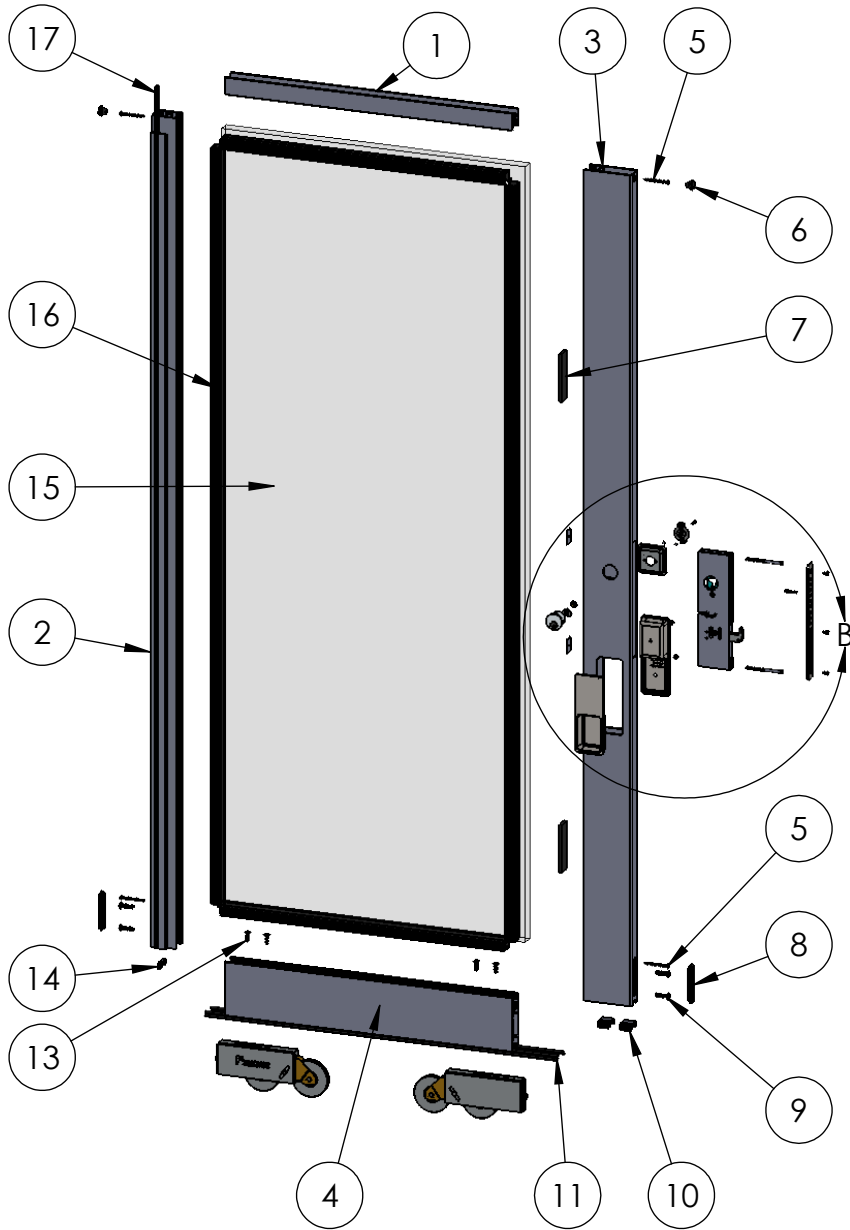
DETAIL A
 SCALE: 1:10

PROPRIETARY AND CONFIDENTIAL
 THE INFORMATION CONTAINED IN THIS DRAWING IS THE SOLE PROPERTY OF FLEETWOOD WINDOWS & DOORS.
 ANY REPRODUCTION IN PART OR AS A WHOLE WITHOUT THE WRITTEN PERMISSION OF FLEETWOOD WINDOWS & DOORS IS PROHIBITED.

EXTRUSIONS			
ITEM NO.	PART NUMBER	DESCRIPTION	QTY.
1	3702	Multi-Slide Head (2 Track)	1
2	3710	Jamb Filler	2
3	3712	Multi-Slide Jamb (2 Track)	2
4	1092	1" Hidden Track	2
5	FW1020	Standard Stainless Steel Track Insert, 0.5625 in	2
HARDWARE			
ITEM NO.	PART NUMBER	DESCRIPTION	QTY.
6	20345	#10 PHP - A Screw, 0.75 in, Zinc	4
7	20347	#10 PHP Screw, 0.75 in, SS, Clear	4
8	25757	Q-Lon Foam Seal (Q200T270)	4
9	24068	Backup Plate (With Dust Cover)	2
10	25498	#8-32 Nut With Nylon-Insert Hex Locknut, SS	2
11	25497	#8-32 FHC-UC Screw, 0.50 in, SS	2
12	20278	#10-32 FHP-B-UC Screw, 0.5625 in, SS, Clear	4
13	24067	Strike Plate	2
14	19118	Small Fin Seal Mohair (23027045BKGB)	4
15	24101	Bumper, Sliding Door Honeycomb Head Installation	2

Description	
Frame Assembly	
File Name	REV
Series 3050 XX Assembly No Screen	
Released	SHEET 2 OF 6
8/31/2018	

ASSEMBLY / PARTS LIST (B.O.M.)



DETAIL B
 SCALE: 2:15

PROPRIETARY AND CONFIDENTIAL
 THE INFORMATION CONTAINED IN THIS DRAWING IS THE SOLE PROPERTY OF FLEETWOOD WINDOWS & DOORS.
 ANY REPRODUCTION IN PART OR AS A WHOLE WITHOUT THE WRITTEN PERMISSION OF FLEETWOOD WINDOWS & DOORS IS PROHIBITED.

Description Panel 1 Assembly	
File Name Series 3050 XX Assembly No Screen	REV
Released	8/31/2018
SHEET 3 OF 6	

ASSEMBLY / PARTS LIST (B.O.M.)

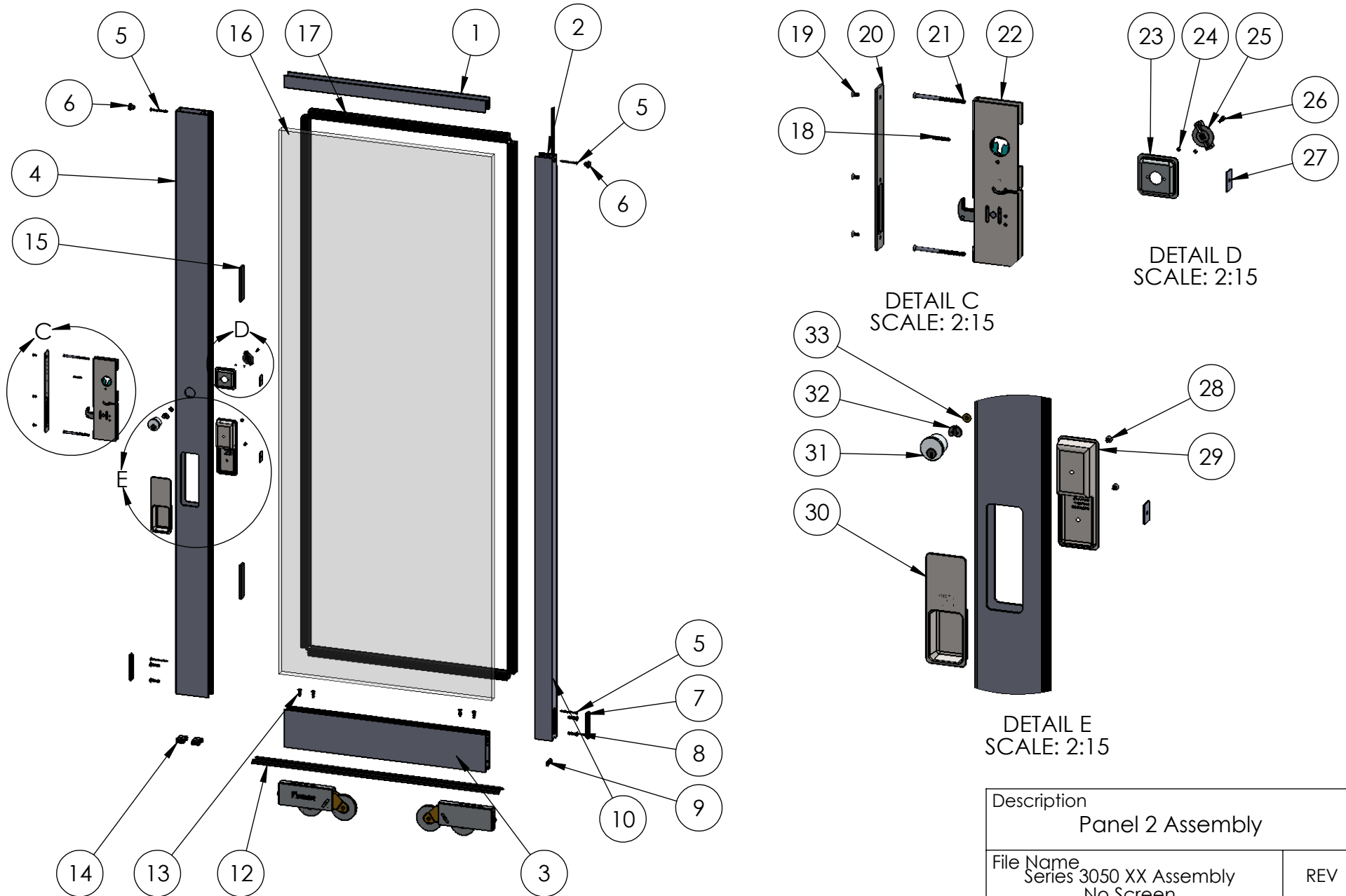
EXTRUSIONS				HARDWARE			
ITEM NO.	PART NUMBER	DESCRIPTION	QTY.	ITEM NO.	PART NUMBER	DESCRIPTION	QTY.
1	3004	Top Rail DG	1	24	24935	#8-32 x 1" Set Screw	1
2	3006	Interlocker DG	1	25	24075	Archetype Primary Latch(Face) Plate, Cover	1
3	3767	Lock Stile (Archetype)	1	26	24076	#8-32 FHS Countersunk Screw, .375 in, SS	3
4	3099	Mammoth Sliding Bottom Rail DG	1	27	26049, 25325	#8-32 FHS - B, 0.375 in, SS, (Clear, Black)	2
HARDWARE				28	24089, 24091	Archetype Handle, Inside, with Gasket	1
ITEM NO.	PART NUMBER	DESCRIPTION	QTY.	29	24090, 24092	Archetype Handle, Outside, with Gasket	1
5	20355	#10 PHP -A, 2", SS, Clear	4	30	25356, 24782	Archetype Keyed Cylinder (SS) (KA,KD)	1
6	20635	Small Round Door Bumper	2	31	24748, 24782, 24783, 25356,	Cam - (for the Archetype Key Cylinder)	1
7	18620	Setting Block 4" x 1/4"x1"	2	32	24781	Archetype Brass Bushing	1
8	20478	Oval Plug - Long	2	33	18671	Back Up Plate # 10-32 x 0.075 Thk.	2
9	91772A542	#1/4-20 PHP - B, 1", SS, Clear	4				
10	19141	Bottom Vent Clip	2				
11	19064	Sill, Wipe, Bottom Vinyl, BL-122	2				
12	18883	A3 Roller	2				
13	20305	1/4-20 FHP - B, 3/4", SS Clear	4				
14	19142	.250 in Length Bottom Vent Clip	1				
15	-	Glass	1				
16	22909	1 inch Glazing Vinyl (Shown)	1				
17	19117	Large Fin Seal Mohair (29027045BKGB)	1				
18	24765	Archetype Actuator Pocket, OX, SS	1				
19	24074	#4-40 FHP, UC, 1/8", SS, Clear	2				
20	24079, 24766	Archetype Actuator (Black, SS)	1				
21	24072, 24094	#6-32, Hex Socket Head Cap, Self Locking, 1/2", SS (Clear, Black)	1				
22	24070	Archetype OX Latch	1				
23	25729	#10-32 FHP, 3, SS, Clear	2				

PROPRIETARY AND CONFIDENTIAL

THE INFORMATION CONTAINED IN THIS DRAWING IS THE SOLE PROPERTY OF FLEETWOOD WINDOWS & DOORS. ANY REPRODUCTION IN PART OR AS A WHOLE WITHOUT THE WRITTEN PERMISSION OF FLEETWOOD WINDOWS & DOORS IS PROHIBITED.

Description Panel 1 B.O.M.	
File Name Series 3050 XX Assembly No Screen	REV
Released 8/31/2018	SHEET 4 OF 6

ASSEMBLY / PARTS LIST (B.O.M.)



PROPRIETARY AND CONFIDENTIAL
THE INFORMATION CONTAINED IN THIS DRAWING IS THE SOLE PROPERTY OF FLEETWOOD WINDOWS & DOORS.
ANY REPRODUCTION IN PART OR AS A WHOLE WITHOUT THE WRITTEN PERMISSION OF FLEETWOOD WINDOWS & DOORS IS PROHIBITED.

Description Panel 2 Assembly	
File Name Series 3050 XX Assembly No Screen	REV
Released	8/31/2018
SHEET 5 OF 6	

ASSEMBLY / PARTS LIST (B.O.M.)

EXTRUSIONS			
ITEM NO.	PART NUMBER	DESCRIPTION	QTY.
1	3004	Top Rail DG	1
2	3006	Interlocker DG	1
3	3099	Mammoth Sliding Bottom Rail DG	1
4	3767	Lock Stile (Archetype)	1
HARDWARE			
ITEM NO.	PART NUMBER	DESCRIPTION	QTY.
5	20355	#10 PHP -A, 2", SS, Clear	4
6	20635	Small Round Panel Plug (All Doors)	2
7	20478	Oval Panel Plug - 3070/3050	2
8	91772A5 42	#1/4-20 PHP - B, 1", SS, Clear	4
9	19142	.250 in Length Bottom Vent Clip	1
10	19117	Large Fin Seal Mohair (29027045BKGB)	1
11	18883	A3 Roller	2
12	19064	Sill, Wipe, Bottom Vinyl, BL-122	2
13	20305	1/4-20 FHP - B, 3/4", SS Clear	4
14	19141	Bottom Vent Clip	2
15	18620	Setting Block 4" x 1/4"x1"	2
16	-	Glass	1
17	22909	1 inch Glazing Vinyl (Shown)	1
18	24935	#8-32 Set Screw, 1 in	1
19	24076	#8-32 FHS Countersunk Screw, .375 in, SS	3
20	24075	Archetype Faceplate	1
21	25729	#10-32 FHP, 3, SS, Clear	2
22	24077	Archetype XO Primary Latch, RH Latch	1

HARDWARE			
ITEM NO.	PART NUMBER	DESCRIPTION	QTY.
23	24767	Archetype Actuator Pocket, XO, SS	1
24	24074	#4-40 FHP, UC, 1/8", SS, Clear	2
25	24079, 24766	Archetype Actuator (Black, SS)	1
26	24072, 24094	#6-32, Hex Socket Head Cap, Self Locking, 1/2", SS (Clear, Black)	1
27	18671	Back Up Plate # 10-32 x 0.075 Thk.	2
28	26049, 25325	#8-32 FHS - B, 0.375 in, SS, (Clear, Black)	2
29	24089, 24091	Archetype Handle, Inside, with Gasket	1
30	24090, 24092	Archetype Handle, Outside, with Gasket	1
31	25356, 24782	Archetype Keyed Cylinder (SS) (KA,KD) (with Cam/Bushing/Screw)	1
32	24780	Key Cylinder Cam	1
33	24781	Archetype Brass Bushing	1

Description Panel 2 B.O.M.	
File Name Series 3050 XX Assembly No Screen	REV
Released 8/31/2018	SHEET 6 OF 6