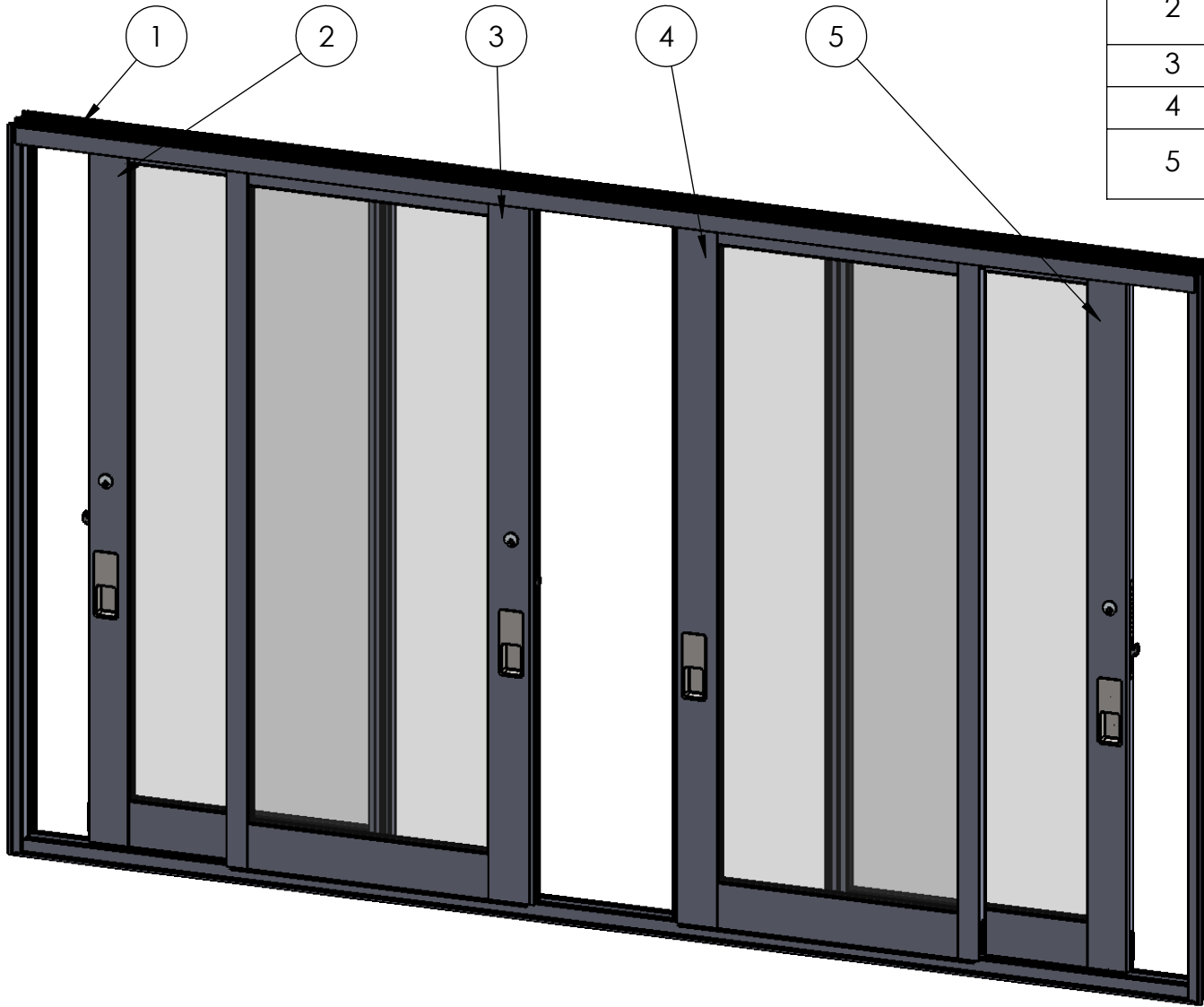


ASSEMBLY / PARTS LIST (B.O.M.)

SERIES: 3050
CONFIGURATION: XXIXX

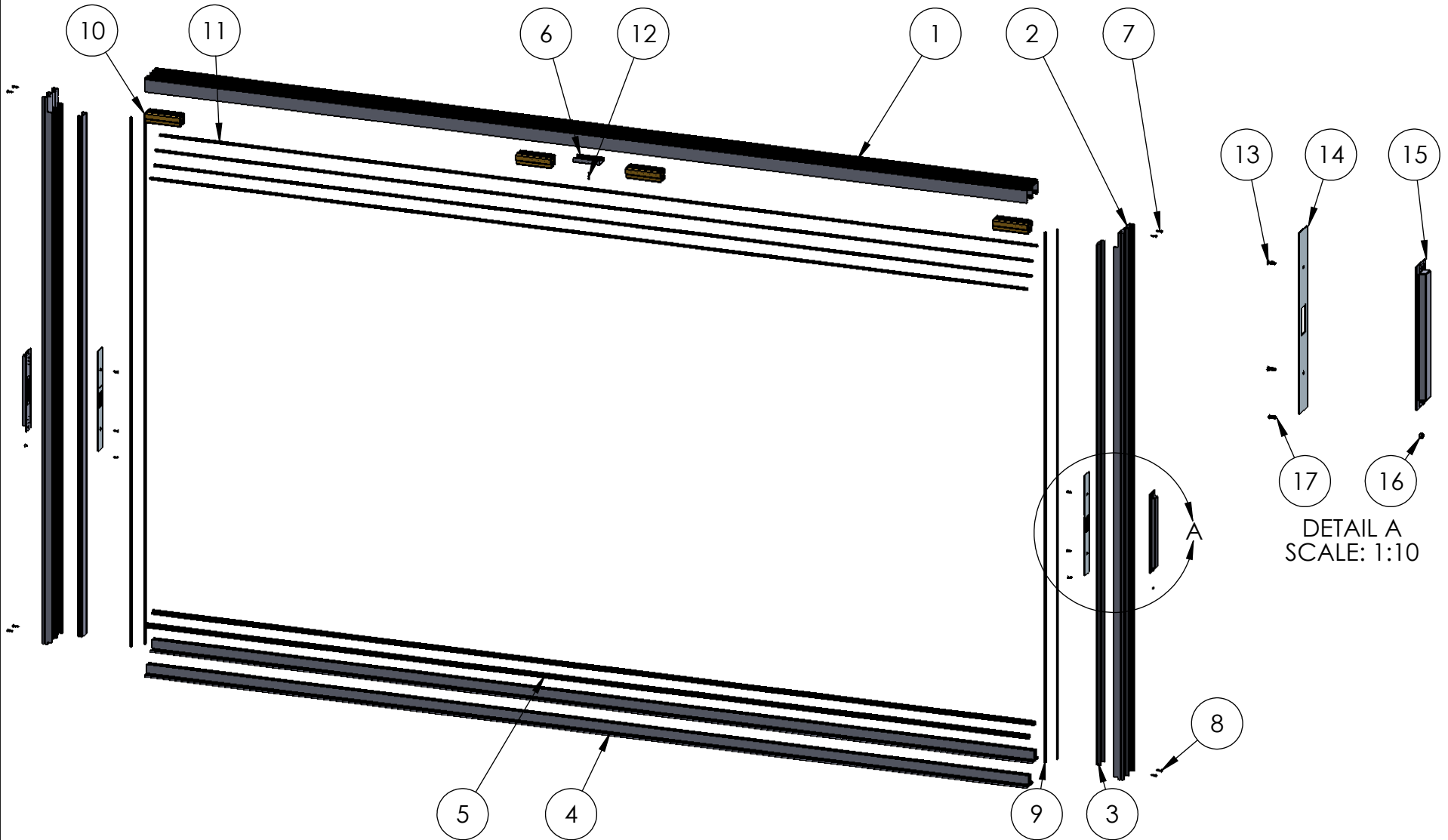
ITEM NO.	DESCRIPTION	PAGE #
1	XX Frame Assembly	2-3
2	X Panel (XO) Assembly (Exterior Stack)	4-5
3	X Panel (XI) Assembly	6-7
4	X Panel (IX) Assembly	8-9
5	X Panel (OX) Assembly (Interior Stack)	10-11



Description Table of Contents	
File Name Series 3050 Assembly XXIXX No Screens	REV
Released 8/31/2017	SHEET 1 OF 11

PROPRIETARY AND CONFIDENTIAL
 THE INFORMATION CONTAINED IN THIS DRAWING IS THE SOLE PROPERTY OF FLEETWOOD WINDOWS & DOORS.
 ANY REPRODUCTION IN PART OR AS A WHOLE WITHOUT THE WRITTEN PERMISSION OF FLEETWOOD WINDOWS & DOORS IS PROHIBITED.

ASSEMBLY / PARTS LIST (B.O.M.)



DETAIL A
 SCALE: 1:10

Description XXIXX Frame Assembly	
File Name Series 3050 Assembly XXIXX No Screens	REV
Released	8/31/2017
SHEET 2 OF 11	

PROPRIETARY AND CONFIDENTIAL
 THE INFORMATION CONTAINED IN THIS DRAWING IS THE SOLE PROPERTY OF FLEETWOOD WINDOWS & DOORS.
 ANY REPRODUCTION IN PART OR AS A WHOLE WITHOUT THE WRITTEN PERMISSION OF FLEETWOOD WINDOWS & DOORS IS PROHIBITED.

ASSEMBLY / PARTS LIST (B.O.M.)

EXTRUSIONS			
ITEM NO.	PART NUMBER	DESCRIPTION	QTY.
1	3702	Multi-Slide Head (2 Track)	1
2	3712	Multi-Slide Jamb (2 Track)	2
3	3710	Jamb Filler	2
4	3041	1.5 in Hidden Track/Sill	2
5	FW1020	Standard Stainless Steel Track Insert 0.5625 in.	2
6	3040	Head Antilift	1
HARDWARE			
ITEM NO.	PART NUMBER	DESCRIPTION	QTY.
7	20345	#10 PHP - A Screw, 0.75 in, Zinc	4
8	20347	#10 PHP Screw, 0.75 in, SS, Clear	4
9	25757	Q-Lon Foam Seal (Q200T270)	4
10	24101	Honeycomb Head Bumper	4
11	19118	Small Fin Seal Mohair (23027045BKGB)	4
12	20247	#8, FHP - A Screw, 1 in, SS, Clear	1
13	20278	#10-32 FHP-B-UC Screw, 0.5625 in, SS, Clear	4
14	24067	Strike Plate	2
15	24068	Backup Plate (With Dust Cover)	2
16	25498	#8-32 Nut With Nylon-Insert Hex Locknut, SS	2
17	25497	#8-32 FHC-UC Screw, 0.50 in, SS	2

Description
XXIXX Frame Assembly B.O.M.

File Name
Series 3050 Assembly
XXIXX No Screens

REV

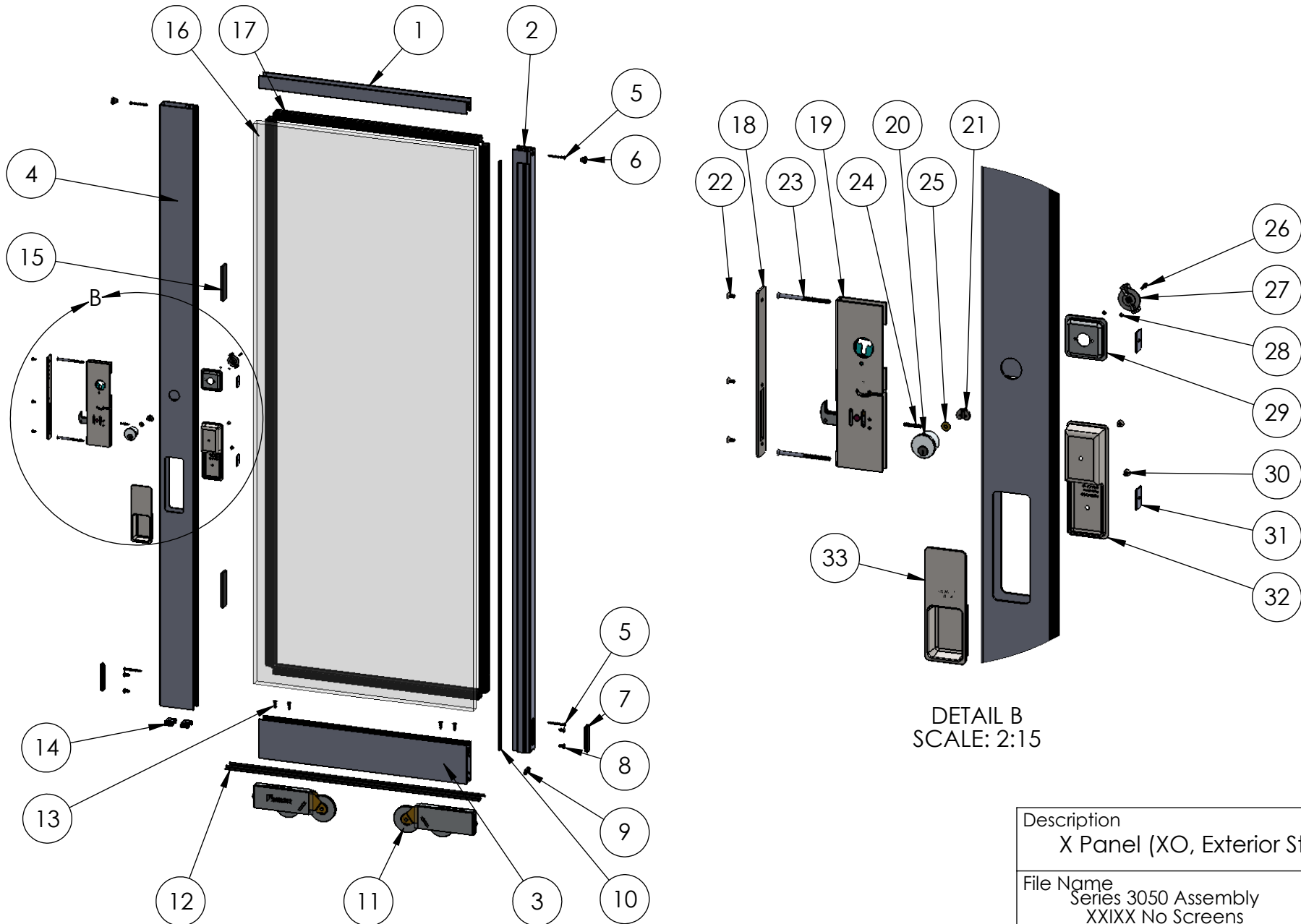
PROPRIETARY AND CONFIDENTIAL

THE INFORMATION CONTAINED IN THIS DRAWING IS THE SOLE PROPERTY OF FLEETWOOD WINDOWS & DOORS.
ANY REPRODUCTION IN PART OR AS A WHOLE WITHOUT THE WRITTEN PERMISSION OF FLEETWOOD WINDOWS & DOORS IS PROHIBITED.

Released 8/31/2017

SHEET 3 OF 11

ASSEMBLY / PARTS LIST (B.O.M.)



DETAIL B
 SCALE: 2:15

PROPRIETARY AND CONFIDENTIAL
 THE INFORMATION CONTAINED IN THIS DRAWING IS THE SOLE PROPERTY OF FLEETWOOD WINDOWS & DOORS.
 ANY REPRODUCTION IN PART OR AS A WHOLE WITHOUT THE WRITTEN PERMISSION OF FLEETWOOD WINDOWS & DOORS IS PROHIBITED.

Description X Panel (XO, Exterior Stack)	
File Name Series 3050 Assembly XXIXX No Screens	REV
Released	8/31/2017
SHEET 4 OF 11	

ASSEMBLY / PARTS LIST (B.O.M.)

EXTRUSIONS				HARDWARE			
ITEM NO.	PART NUMBER	DESCRIPTION	QTY.	ITEM NO.	PART NUMBER	DESCRIPTION	QTY.
1	3004	Top Rail DG	1	23	25729	#10-32 FHP, 3, SS, Clear	2
2	3006	Interlocker DG	1	24	24935	#8-32 x 1" Set Screw (Reg. arch. Cyl.)	1
3	3099	Mammoth Sliding Bottom Rail DG	1	25	24781	Brass Bushing - Key Cylinder Reg. Arch.	1
4	3767	Lock Stile (Archetype)	1	26	24072, 24094	#6-32, Hex Socket Head Cap, Self Locking, 1/2", SS (Clear, Black)	1
HARDWARE				27	24079, 24766	Archetype Actuator (Black, SS)	1
ITEM NO.	PART NUMBER	DESCRIPTION	QTY.	28	24074	#4-40 FHP, UC, 1/8", SS, Clear	2
5	20355	#10 PHP -A, 2", SS, Clear	4	29	24765	Archetype Actuator Pocket, OX, SS	1
6	20635	Small Round Panel Plug (All Doors)	2	30	26049, 25325	#8-32 FHS - B, 0.375 in, SS, (Clear, Black)	2
7	20478	Oval Panel Plug - 3070/3050	2	31	18671	Back Up Plate # 10-32 x 0.075 Thk.	2
8	20357	#1/4-20 PHP - B, 1/2", SS, Clear	4	32	24089, 24091	Archetype Handle, Inside, with Gasket (117-338)	1
9	19142	.250 in Length Bottom Vent Clip	1	33	24090, 24092	Archetype Handle, Outside, with Gasket (117-338)	1
10	19117	Large Fin Seal Mohair (29027045BKGB)	1				
11	18883	A3 Roller, Precision - Tandem	2				
12	19064	Sill, Wipe, Bottom Vinyl, BL-122	2				
13	20305	1/4-20 FHP - B, 3/4", SS Clear	4				
14	19141	0.930 in Length Bottom Vent Clip	2				
15	18620	Setting Block 4" x 1/4"x1"	2				
16	-	Glass	1				
17	22909	1 inch Glazing Vinyl (Shown)	1				
18	24075	117-311, Archetype Primary Latch(Face) Plate, Cover	1				
19	24077	Archetype XO Primary Latch, RH Latch	1				
20	25356, 24782	Archetype Keyed Cylinder (SS) (KA,KD) (with Cam/Bushing/Screw)	1				
21	24780	Cam - (for the Archetype Key Cylinder)	1				
22	24076	#8-32 FHS, 3/8" Long, Hex Countersunk Screw (Stainless Steel)	3				

Description
X Panel (XO, Exterior Stack) B.O.M.

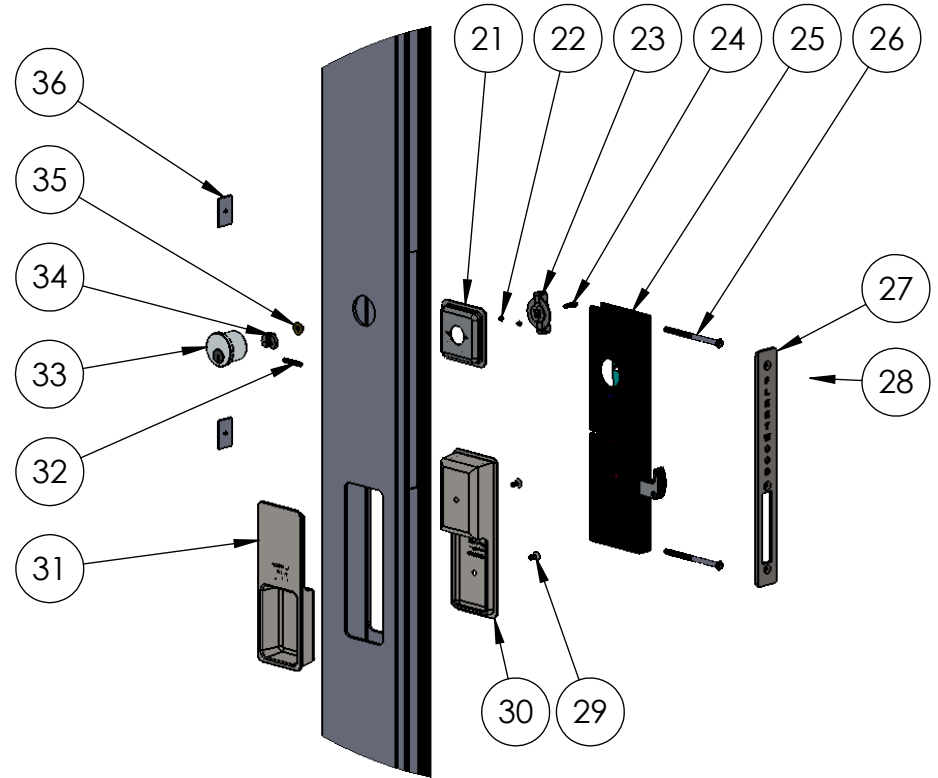
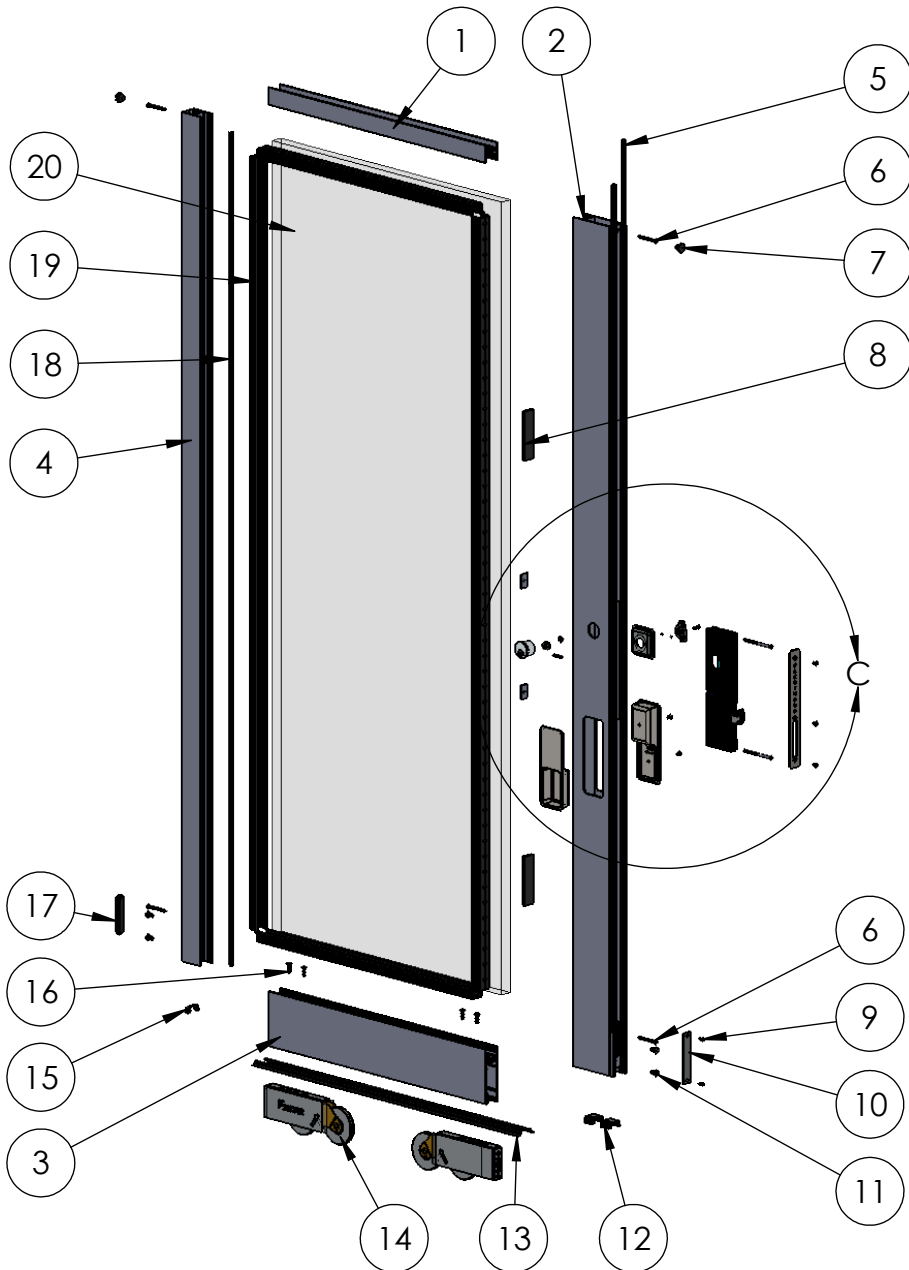
File Name
Series 3050 Assembly
XXIXX No Screens
REV

PROPRIETARY AND CONFIDENTIAL

THE INFORMATION CONTAINED IN THIS DRAWING IS THE SOLE PROPERTY OF FLEETWOOD WINDOWS & DOORS.
ANY REPRODUCTION IN PART OR AS A WHOLE WITHOUT THE WRITTEN PERMISSION OF FLEETWOOD WINDOWS & DOORS IS PROHIBITED.

Released 8/31/2017 SHEET 5 OF 11

ASSEMBLY / PARTS LIST (B.O.M.)



DETAIL C
SCALE: 2:15

PROPRIETARY AND CONFIDENTIAL
THE INFORMATION CONTAINED IN THIS DRAWING IS THE SOLE PROPERTY OF FLEETWOOD WINDOWS & DOORS.
ANY REPRODUCTION IN PART OR AS A WHOLE WITHOUT THE WRITTEN PERMISSION OF FLEETWOOD WINDOWS & DOORS IS PROHIBITED.

Description	
X Panel (XI)	
File Name	REV
Series 3050 Assembly XXIXX No Screens	
Released	8/31/2017
SHEET 6 OF 11	

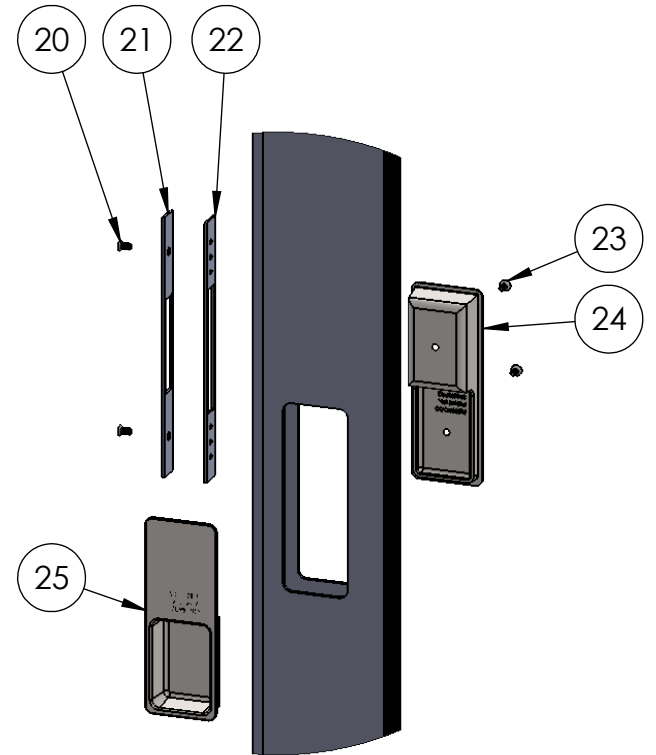
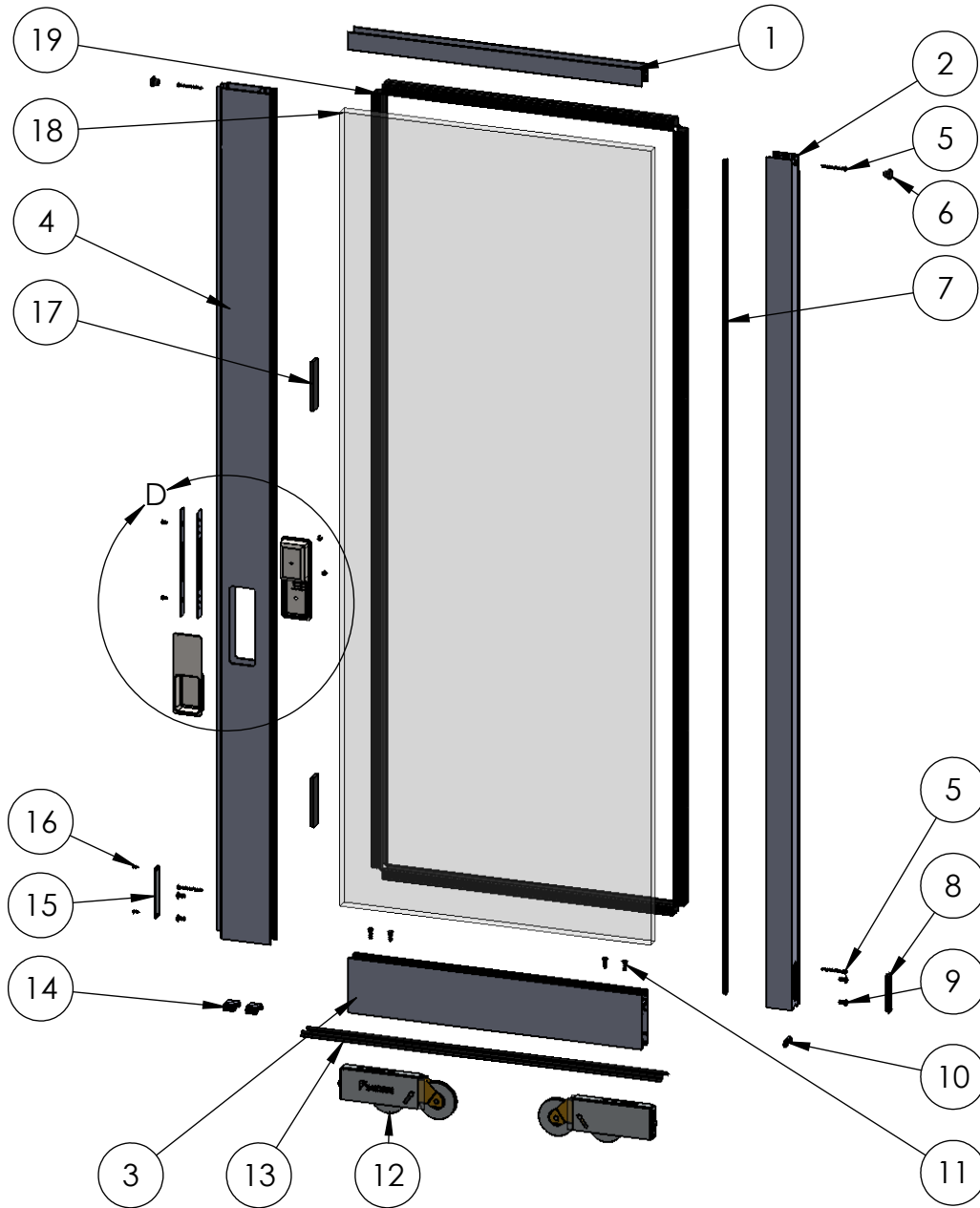
ASSEMBLY / PARTS LIST (B.O.M.)

EXTRUSIONS			
ITEM NO.	PART NUMBER	DESCRIPTION	QTY.
1	3004	Top Rail DG	1
2	3707	Lock Stile with Female Yoke	1
3	3099	Mammoth Sliding Bottom Rail DG	1
4	3006	Interlocker DG	1
HARDWARE			
ITEM NO.	PART NUMBER	DESCRIPTION	QTY.
5	19118	Small Fin Seal Mohair (23027045BKGB)	2
6	20355	#10 PHP -A, 2", SS, Clear	4
7	20635	Small Round Panel Plug (All Doors)	2
8	18620	Setting Block 4" x 1/4"x1"	2
9	20240, 20241	#8 FHP - A - UC, 1/2", SS, Clear, Black	2
10	25035	Meeting Stile Bumper Cover Plate	1
11	20357	#1/4-20 PHP - B, 1/2", SS, Clear	4
12	19141	0.930 in Length Bottom Vent Clip	2
13	19064	Sill, Wipe, Bottom Vinyl, BL-122	2
14	18883	A3 Roller, Precision - Tandem	2
15	19142	.250 in Length Bottom Vent Clip	1
16	20305	1/4-20 FHP - B, 3/4", SS Clear	4
17	20478	Oval Panel Plug - 3070/3050	1
18	19117	Large Fin Seal Mohair (29027045BKGB)	1
19	22909	1 inch Glazing Vinyl (Shown)	1
20	-	Glass	1
21	24765	Archetype Actuator Pocket, OX, SS	1

HARDWARE			
ITEM NO.	PART NUMBER	DESCRIPTION	QTY.
22	24074	#4-40 FHP, UC, 1/8", SS, Clear	2
23	24079, 24766	Archetype Actuator (Black, SS)	1
24	24072, 24094	#6-32, Hex Socket Head Cap, Self Locking, 1/2", SS (Clear, Black)	1
25	24070	OX Primary Latch	1
26	25729	#10-32 FHP, 3, SS, Clear	2
27	24075	117-311, Archetype Primary Latch(Face) Plate, Cover	1
28	24076	#8-32 FHS, 3/8" Long, Hex Countersunk Screw (Stainless Steel)	3
29	26049, 25325	#8-32 FHS - B, 0.375 in, SS, (Clear, Black)	2
30	24089, 24091	Archetype Handle, Inside, with Gasket (117-338)	1
31	24090, 24092	Archetype Handle, Outside, with Gasket (117-338)	1
32	24935	#8-32 x 1" Set Screw (Reg. arch. Cyl.)	1
33	25356, 24782	Archetype Keyed Cylinder (SS) (KA,KD) (with Cam/Bushing/Screw)	1
34	24780	Cam - (for the Archetype Key Cylinder)	1
35	24781	Brass Bushing - Key Cylinder Reg. Arch.	1
36	18671	Back Up Plate # 10-32 x 0.075 Thk.	2

Description X Panel (XI) B.O.M.	
File Name Series 3050 Assembly XXIXX No Screens	REV
Released 8/31/2017	SHEET 7 OF 11

ASSEMBLY / PARTS LIST (B.O.M.)



PROPRIETARY AND CONFIDENTIAL
THE INFORMATION CONTAINED IN THIS DRAWING IS THE SOLE PROPERTY OF FLEETWOOD WINDOWS & DOORS.
ANY REPRODUCTION IN PART OR AS A WHOLE WITHOUT THE WRITTEN PERMISSION OF FLEETWOOD WINDOWS & DOORS IS PROHIBITED.

Description		X Panel (IX)	
File Name		Series 3050 Assembly	REV
		XXIXX No Screens	
Released	8/31/2017	SHEET 8 OF 11	

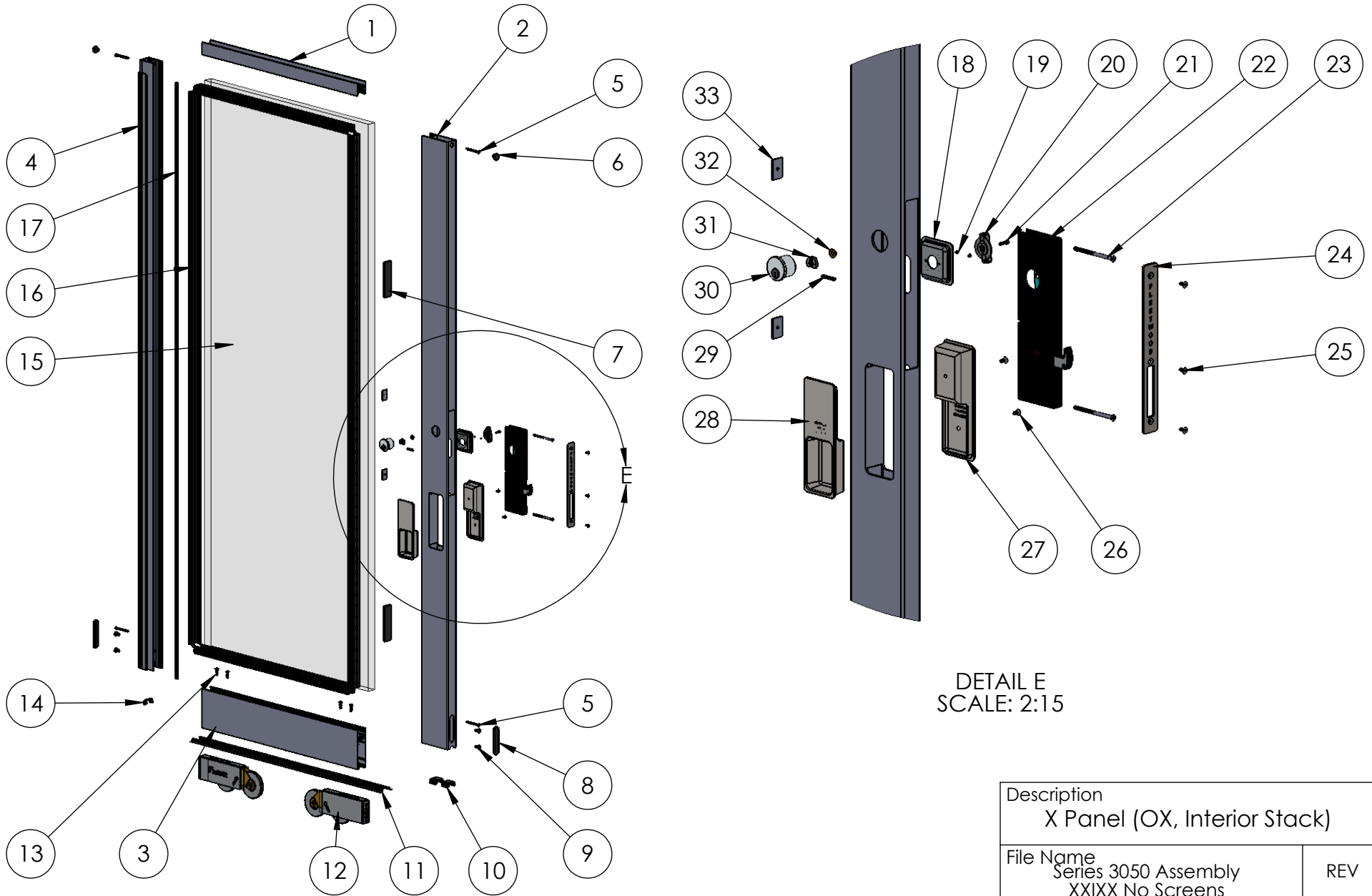
ASSEMBLY / PARTS LIST (B.O.M.)

EXTRUSIONS			
ITEM NO.	PART NUMBER	DESCRIPTION	QTY.
1	3004	Top Rail DG	1
2	3006	Interlocker DG	1
3	3099	Mammoth Sliding Bottom Rail DG	1
4	3706	Lock Stile with Male Yoke	1
HARDWARE			
ITEM NO.	PART NUMBER	DESCRIPTION	QTY.
5	20355	#10 PHP -A, 2", SS, Clear	4
6	20635	Small Round Panel Plug (All Doors)	2
7	19117	Large Fin Seal Mohair (29027045BKGB)	1
8	20478	Oval Panel Plug - 3070/3050	1
9	20357	#1/4-20 PHP - B, 1/2", SS, Clear	4
10	19142	.250 in Length Bottom Vent Clip	1
11	20305	1/4-20 FHP - B, 3/4", SS Clear	4
12	18883	A3 Roller, Precision - Tandem	2
13	19064	Sill, Wipe, Bottom Vinyl, BL-122	2
14	19141	0.930 in Length Bottom Vent Clip	2
15	25035	Meeting Stile Bumper Cover Plate	1
16	20240, 20241	#8 FHP - A - UC, 1/2", SS, Clear, Black	2

HARDWARE			
ITEM NO.	PART NUMBER	DESCRIPTION	QTY.
17	18620	Setting Block 4" x 1/4"x1"	2
18	-	Glass	1
19	22909	1 inch Glazing Vinyl (Shown)	1
20	20266	Screw No.10-32, Flat Undercut Head Phil.,0.375 In	2
21	24980	Strike Plate, Meeting Stile	1
22	24981	Strike Backup Plate, Meeting Stile	1
23	26049, 25325	#8-32 FHS - B, 0.375 in, SS, (Clear, Black)	2
24	24089, 24091	Archetype Handle, Inside, with Gasket (117-338)	1
25	24090, 24092	Archetype Handle, Outside, with Gasket (117-338)	1

Description X Panel (IX) B.O.M.	
File Name Series 3050 Assembly XXIXX No Screens	REV
Released 8/31/2017	SHEET 9 OF 11

ASSEMBLY / PARTS LIST (B.O.M.)



DETAIL E
SCALE: 2:15

PROPRIETARY AND CONFIDENTIAL
THE INFORMATION CONTAINED IN THIS DRAWING IS THE SOLE PROPERTY OF FLEETWOOD WINDOWS & DOORS.
ANY REPRODUCTION IN PART OR AS A WHOLE WITHOUT THE WRITTEN PERMISSION OF FLEETWOOD WINDOWS & DOORS IS PROHIBITED.

Description X Panel (OX, Interior Stack)	
File Name Series 3050 Assembly XXIXX No Screens	REV
Released	8/31/2017
SHEET 10 OF 11	

ASSEMBLY / PARTS LIST (B.O.M.)

EXTRUSIONS				HARDWARE			
ITEM NO.	PART NUMBER	DESCRIPTION	QTY.	ITEM NO.	PART NUMBER	DESCRIPTION	QTY.
1	3004	Top Rail DG	1	23	25729	#10-32 FHP, 3, SS, Clear	2
2	3767	Lock Stile (Archetype)	1	24	24075	117-311, Archetype Primary Latch(Face) Plate, Cover	1
3	3099	Mammoth Sliding Bottom Rail DG	1	25	24076	#8-32 FHS, 3/8" Long, Hex Countersunk Screw (Stainless Steel)	3
4	3006	Interlocker DG	1	26	26049, 25325	#8-32 FHS - B, 0.375 in, SS, (Clear, Black)	2
HARDWARE				27	24089, 24091	Archetype Handle, Inside, with Gasket (117-338)	1
ITEM NO.	PART NUMBER	DESCRIPTION	QTY.	28	24090, 24092	Archetype Handle, Outside, with Gasket (117-338)	1
5	20355	#10 PHP -A, 2", SS, Clear	4	29	24935	#8-32 x 1" Set Screw (Reg. arch. Cyl.)	1
6	20635	Small Round Panel Plug (All Doors)	2	30	25356, 24782	Archetype Keyed Cylinder (SS) (KA,KD) (with Cam/Bushing/Screw)	1
7	18620	Setting Block 4" x 1/4"x1"	2	31	24780	Cam - (for the Archetype Key Cylinder)	1
8	20478	Oval Panel Plug - 3070/3050	2	32	24781	Brass Bushing - Key Cylinder Reg. Arch.	1
9	20357	#1/4-20 PHP - B, 1/2", SS, Clear	4	33	18671	Back Up Plate # 10-32 x 0.075 Thk.	2
10	19141	0.930 in Length Bottom Vent Clip	2				
11	19064	Sill, Wipe, Bottom Vinyl, BL-122	2				
12	18883	A3 Roller, Precision - Tandem	2				
13	20305	1/4-20 FHP - B, 3/4", SS Clear	4				
14	19142	.250 in Length Bottom Vent Clip	1				
15	-	Glass	1				
16	22909	1 inch Glazing Vinyl (Shown)	1				
17	19117	Large Fin Seal Mohair (29027045BKGB)	1				
18	24765	Archetype Actuator Pocket, OX, SS	1				
19	24074	#4-40 FHP, UC, 1/8", SS, Clear	2				
20	24079, 24766	Archetype Actuator (Black, SS)	1				
21	24072, 24094	#6-32, Hex Socket Head Cap, Self Locking, 1/2", SS (Clear, Black)	1				
22	24070	OX Primary Latch	1				

PROPRIETARY AND CONFIDENTIAL

THE INFORMATION CONTAINED IN THIS DRAWING IS THE SOLE PROPERTY OF FLEETWOOD WINDOWS & DOORS. ANY REPRODUCTION IN PART OR AS A WHOLE WITHOUT THE WRITTEN PERMISSION OF FLEETWOOD WINDOWS & DOORS IS PROHIBITED.

Description
X Panel (OX, Interior Stack) B.O.M.

File Name
Series 3050 Assembly
XXIXX No Screens

REV

Released 8/31/2017

SHEET 11 OF 11