

# ASSEMBLY / PARTS LIST (B.O.M.)

**SERIES: 3050**  
**CONFIGURATION: XX WITH SCREENS**

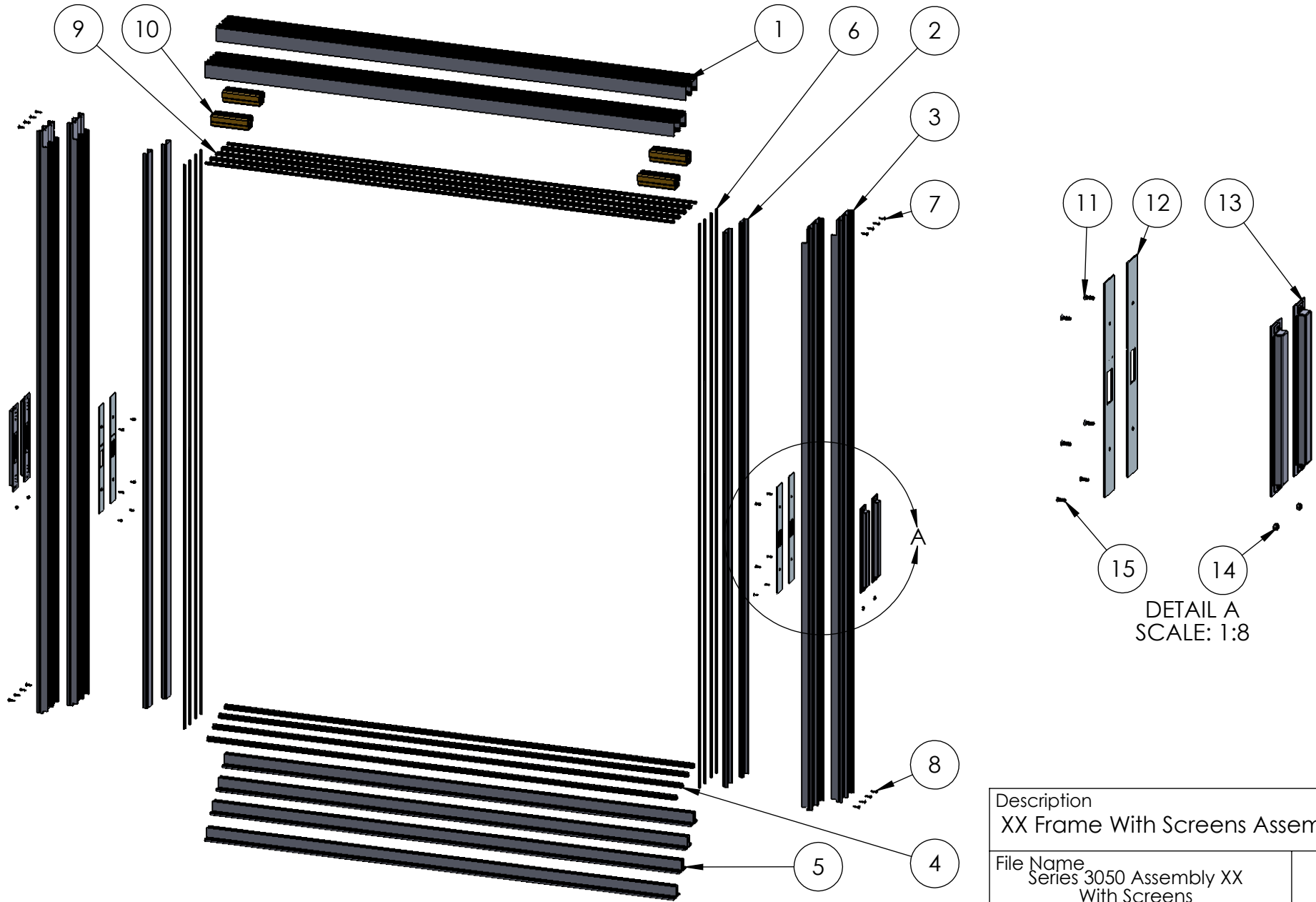


ITEM NO.	DESCRIPTION	PAGE #
1	XX Frame With Screens Assembly	2-3
2	X Panel (OX) Assembly	4-5
3	X Panel (XO) Assembly (Interior Stack)	6-7
4	Screen Panel (OX) Assembly	8-9
5	Screen Panel (XO) Assembly	10-11

Description Table of Contents	
File Name Series 3050 Assembly XX With Screens	REV
Released 8/31/2017	SHEET 1 OF 11

**PROPRIETARY AND CONFIDENTIAL**  
 THE INFORMATION CONTAINED IN THIS DRAWING IS THE SOLE PROPERTY OF FLEETWOOD WINDOWS & DOORS.  
 ANY REPRODUCTION IN PART OR AS A WHOLE WITHOUT THE WRITTEN PERMISSION OF FLEETWOOD WINDOWS & DOORS IS PROHIBITED.

# ASSEMBLY / PARTS LIST (B.O.M.)



DETAIL A  
 SCALE: 1:8

**PROPRIETARY AND CONFIDENTIAL**  
 THE INFORMATION CONTAINED IN THIS DRAWING IS THE SOLE PROPERTY OF FLEETWOOD WINDOWS & DOORS.  
 ANY REPRODUCTION IN PART OR AS A WHOLE WITHOUT THE WRITTEN PERMISSION OF FLEETWOOD WINDOWS & DOORS IS PROHIBITED.

Description XX Frame With Screens Assembly	
File Name Series 3050 Assembly XX With Screens	REV
Released	8/31/2017
SHEET 2 OF 11	

# ASSEMBLY / PARTS LIST (B.O.M.)

EXTRUSIONS			
ITEM NO.	PART NUMBER	DESCRIPTION	QTY.
1	3702	Multi-Slide Head (2 Track)	2
2	3710	Jamb Filler	4
3	3712	Multi-Slide Jamb (2 Track)	4
4	FW1020	Standard Stainless Steel Track Insert, 0.5625 in	4
5	3041	1.5 Hidden Track/Sill	4
HARDWARE			
ITEM NO.	PART NUMBER	DESCRIPTION	QTY.
6	25757	Q-Lon Foam Seal (Q200T270)	8
7	20345	#10 PHP - A Screw, 0.75 in, Zinc	8
8	20347	#10 PHP Screw, 0.75 in, SS, Clear	8
9	19118	Small Fin Seal Mohair (23027045BKGB)	8
10	24101	Honeycomb Head Bumper	4
11	20278	#10-32 FHP-B-UC Screw, 0.5625 in, SS, Clear	8
12	24067	Strike Plate	4
13	24068	Backup Plate (With Dust Cover)	4
14	25498	#8-32 Nut With Nylon-Insert Hex Locknut, SS	4
15	25497	#8-32 FHC-UC Screw, 0.50 in, SS	4

Description  
XX Frame With Screens B.O.M.

File Name  
Series 3050 Assembly XX  
With Screens

REV

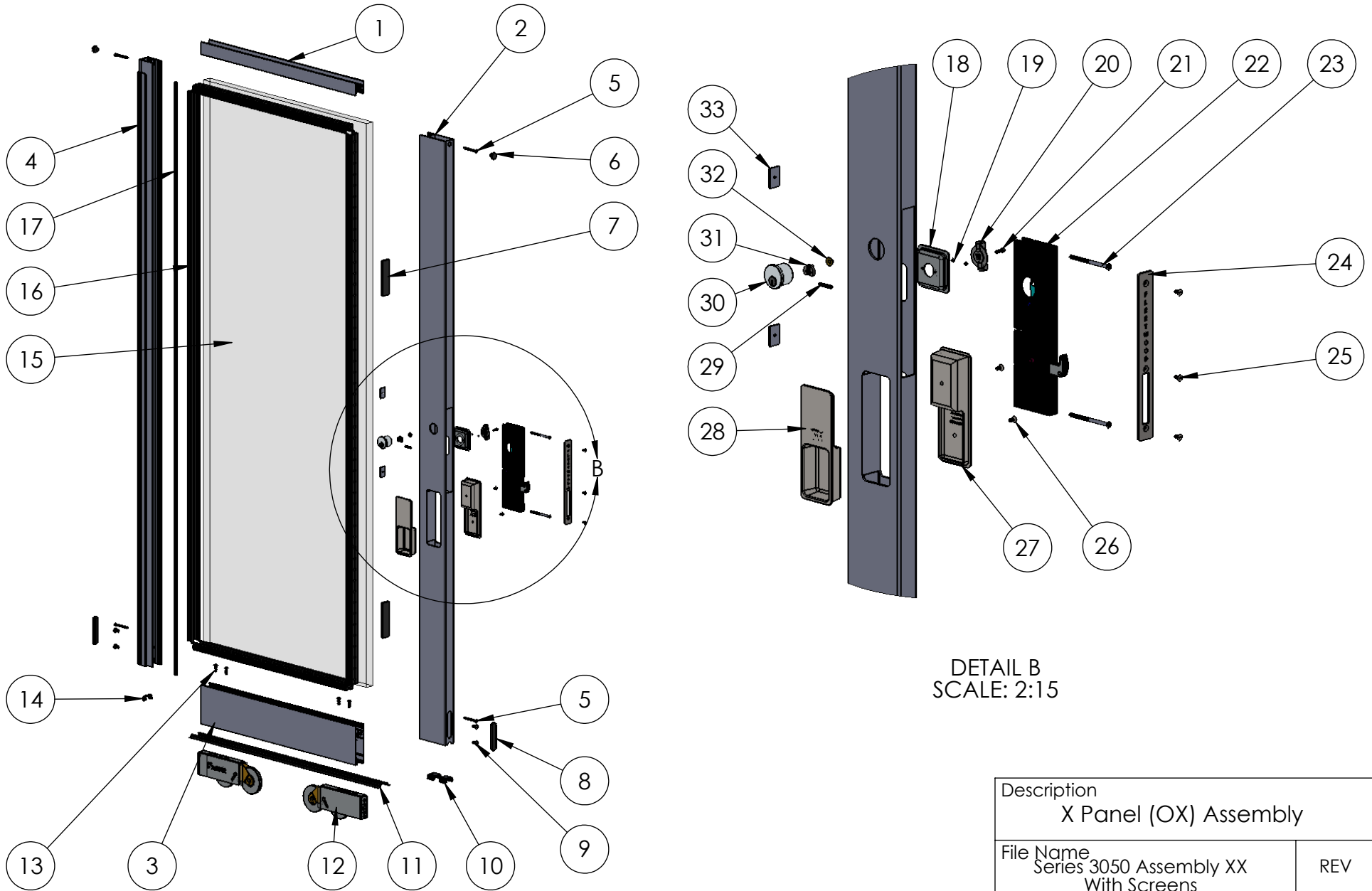
**PROPRIETARY AND CONFIDENTIAL**

THE INFORMATION CONTAINED IN THIS DRAWING IS THE SOLE PROPERTY OF FLEETWOOD WINDOWS & DOORS.  
ANY REPRODUCTION IN PART OR AS A WHOLE WITHOUT THE WRITTEN PERMISSION OF FLEETWOOD WINDOWS & DOORS IS PROHIBITED.

Released 8/31/2017

SHEET 3 OF 11

# ASSEMBLY / PARTS LIST (B.O.M.)



DETAIL B  
 SCALE: 2:15

**PROPRIETARY AND CONFIDENTIAL**  
 THE INFORMATION CONTAINED IN THIS DRAWING IS THE SOLE PROPERTY OF FLEETWOOD WINDOWS & DOORS.  
 ANY REPRODUCTION IN PART OR AS A WHOLE WITHOUT THE WRITTEN PERMISSION OF FLEETWOOD WINDOWS & DOORS IS PROHIBITED.

Description X Panel (OX) Assembly	
File Name Series 3050 Assembly XX With Screens	REV
Released	8/31/2017
SHEET 4 OF 11	

# ASSEMBLY / PARTS LIST (B.O.M.)

EXTRUSIONS			
ITEM NO.	PART NUMBER	DESCRIPTION	QTY.
1	3004	Top Rail DG	1
2	3767	Lock Stile (Archetype)	1
3	3099	Mammoth Sliding Bottom Rail DG	1
4	3006	Interlocker DG	1

HARDWARE			
ITEM NO.	PART NUMBER	DESCRIPTION	QTY.
5	20355	#10 PHP -A, 2", SS, Clear	4
6	20635	Small Round Panel Plug (All Doors)	2
7	18620	Setting Block 4" x 1/4"x1"	2
8	20478	Oval Panel Plug - 3070/3050	2
9	20357	#1/4-20 PHP - B, 1/2", SS, Clear	4
10	19141	0.930 in Length Bottom Vent Clip	2
11	19064	Sill, Wipe, Bottom Vinyl, BL-122	2
12	18883	A3 Roller, Precision - Tandem	2
13	20305	1/4-20 FHP - B, 3/4", SS Clear	4
14	19142	.250 in Length Bottom Vent Clip	1
15	-	Glass	1
16	22909	1 inch Glazing Vinyl (Shown)	1
17	19117	Large Fin Seal Mohair (29027045BKGB)	1
18	24765	Archetype Actuator Pocket, OX, SS	1
19	24074	#4-40 FHP, UC, 1/8", SS, Clear	2
20	24079, 24766	Archetype Actuator (Black, SS)	1
21	24072, 24094	#6-32, Hex Socket Head Cap, Self Locking, 1/2", SS (Clear, Black)	1
22	24070	OX Primary Latch	1

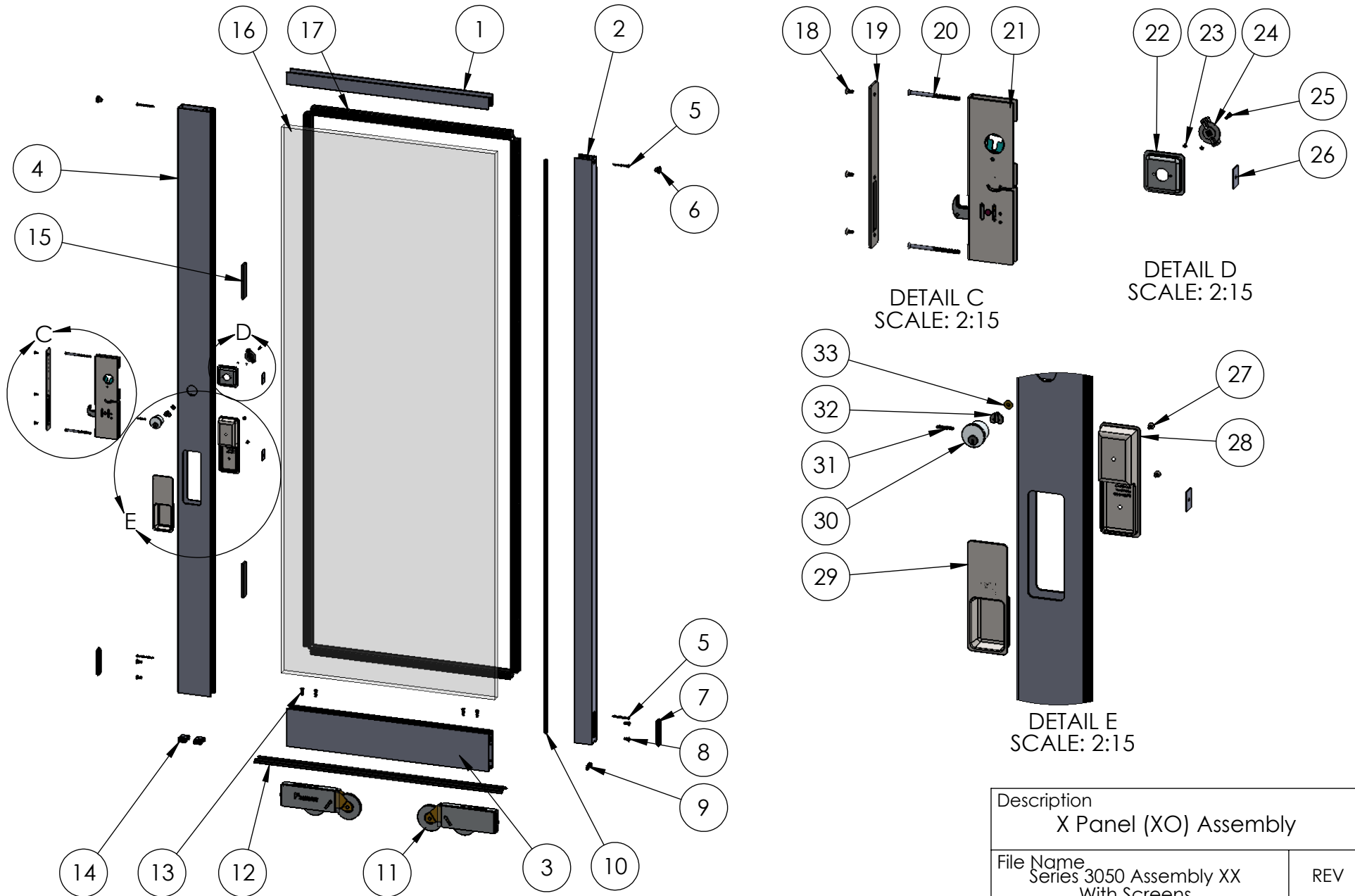
HARDWARE			
ITEM NO.	PART NUMBER	DESCRIPTION	QTY.
23	25729	#10-32 FHP, 3, SS, Clear	2
24	24075	117-311, Archetype Primary Latch(Face) Plate, Cover	1
25	24076	#8-32 FHS, 3/8" Long, Hex Countersunk Screw (Stainless Steel)	3
26	26049, 25325	#8-32 FHS - B, 0.375 in, SS, (Clear, Black)	2
27	24089, 24091	Archetype Handle, Inside, with Gasket (117-338)	1
28	24090, 24092	Archetype Handle, Outside, with Gasket (117-338)	1
29	24935	#8-32 x 1" Set Screw ( Reg. arch. Cyl. )	1
30	25356, 24782	Archetype Keyed Cylinder (SS) (KA,KD) (with Cam/Bushing/Screw)	1
31	24780	Cam - (for the Archetype Key Cylinder)	1
32	24781	Brass Bushing - Key Cylinder Reg. Arch.	1
33	18671	Back Up Plate # 10-32 x 0.075 Thk.	2

Description X Panel (OX) B.O.M.	
File Name Series 3050 Assembly XX With Screens	REV
Released 8/31/2017	SHEET 5 OF 11

**PROPRIETARY AND CONFIDENTIAL**

THE INFORMATION CONTAINED IN THIS DRAWING IS THE SOLE PROPERTY OF FLEETWOOD WINDOWS & DOORS.  
ANY REPRODUCTION IN PART OR AS A WHOLE WITHOUT THE WRITTEN PERMISSION OF FLEETWOOD WINDOWS & DOORS IS PROHIBITED.

# ASSEMBLY / PARTS LIST (B.O.M.)



**PROPRIETARY AND CONFIDENTIAL**  
THE INFORMATION CONTAINED IN THIS DRAWING IS THE SOLE PROPERTY OF FLEETWOOD WINDOWS & DOORS.  
ANY REPRODUCTION IN PART OR AS A WHOLE WITHOUT THE WRITTEN PERMISSION OF FLEETWOOD WINDOWS & DOORS IS PROHIBITED.

Description X Panel (XO) Assembly	
File Name Series 3050 Assembly XX With Screens	REV
Released	8/31/2017
SHEET 6 OF 11	

# ASSEMBLY / PARTS LIST (B.O.M.)

EXTRUSIONS			
ITEM NO.	PART NUMBER	DESCRIPTION	QTY.
1	3004	Top Rail DG	1
2	3006	Interlocker DG	1
3	3099	Mammoth Sliding Bottom Rail DG	1
4	3767	Lock Stile (Archetype)	1
HARDWARE			
ITEM NO.	PART NUMBER	DESCRIPTION	QTY.
5	20355	#10 PHP -A, 2", SS, Clear	4
6	20635	Small Round Panel Plug (All Doors)	2
7	20478	Oval Panel Plug - 3070/3050	2
8	20357	#1/4-20 PHP - B, 1/2", SS, Clear	4
9	19142	.250 in Length Bottom Vent Clip	1
10	19117	Large Fin Seal Mohair (29027045BKGB)	1
11	18883	A3 Roller, Precision - Tandem	2
12	19064	Sill, Wipe, Bottom Vinyl, BL-122	2
13	20305	1/4-20 FHP - B, 3/4", SS Clear	4
14	19141	0.930 in Length Bottom Vent Clip	2
15	18620	Setting Block 4" x 1/4"x1"	2
16	-	Glass	1
17	22909	1 inch Glazing Vinyl (Shown)	1
18	24076	#8-32 FHS, 3/8" Long, Hex Countersunk Screw (Stainless Steel)	3
19	24075	117-311, Archetype Primary Latch(Face) Plate, Cover	1
20	25729	#10-32 FHP, 3, SS, Clear	2

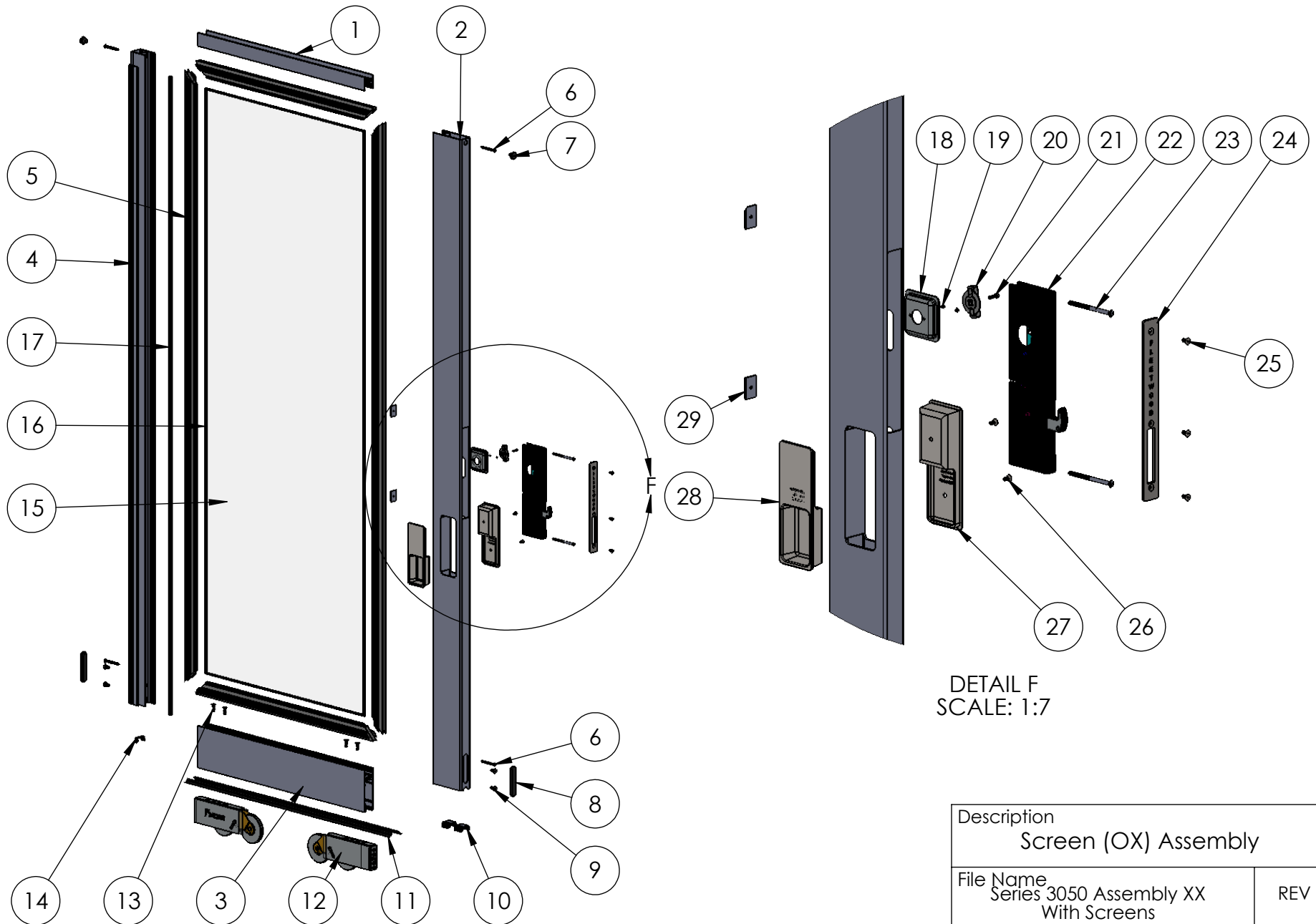
HARDWARE			
ITEM NO.	PART NUMBER	DESCRIPTION	QTY.
21	24077	Archetype XO Primary Latch, RH Latch	1
22	24767	Archetype Actuator Pocket, XO, SS	1
23	24074	#4-40 FHP, UC, 1/8", SS, Clear	2
24	24079, 24766	Archetype Actuator (Black, SS)	1
25	24072, 24094	#6-32, Hex Socket Head Cap, Self Locking, 1/2", SS (Clear, Black)	1
26	18671	Back Up Plate # 10-32 x 0.075 Thk.	2
27	26049, 25325	#8-32 FHS - B, 0.375 in, SS, (Clear, Black)	2
28	24089, 24091	Archetype Handle, Inside, with Gasket (117-338)	1
29	24090, 24092	Archetype Handle, Outside, with Gasket (117-338)	1
30	25356, 24782	Archetype Keyed Cylinder (SS) (KA,KD) (with Cam/Bushing/Screw)	1
31	24935	#8-32 x 1" Set Screw ( Reg. arch. Cyl. )	1
32	24780	Cam - (for the Archetype Key Cylinder)	1
33	24781	Brass Bushing - Key Cylinder Reg. Arch.	1

Description X Panel (XO) B.O.M.	
File Name Series 3050 Assembly XX With Screens	REV
Released 8/31/2017	SHEET 7 OF 11

**PROPRIETARY AND CONFIDENTIAL**

THE INFORMATION CONTAINED IN THIS DRAWING IS THE SOLE PROPERTY OF FLEETWOOD WINDOWS & DOORS.  
ANY REPRODUCTION IN PART OR AS A WHOLE WITHOUT THE WRITTEN PERMISSION OF FLEETWOOD WINDOWS & DOORS IS PROHIBITED.

# ASSEMBLY / PARTS LIST (B.O.M.)



DETAIL F  
 SCALE: 1:7

**PROPRIETARY AND CONFIDENTIAL**  
 THE INFORMATION CONTAINED IN THIS DRAWING IS THE SOLE PROPERTY OF FLEETWOOD WINDOWS & DOORS.  
 ANY REPRODUCTION IN PART OR AS A WHOLE WITHOUT THE WRITTEN PERMISSION OF FLEETWOOD WINDOWS & DOORS IS PROHIBITED.

Description Screen (OX) Assembly	
File Name Series 3050 Assembly XX With Screens	REV
Released	8/31/2017
SHEET 8 OF 11	

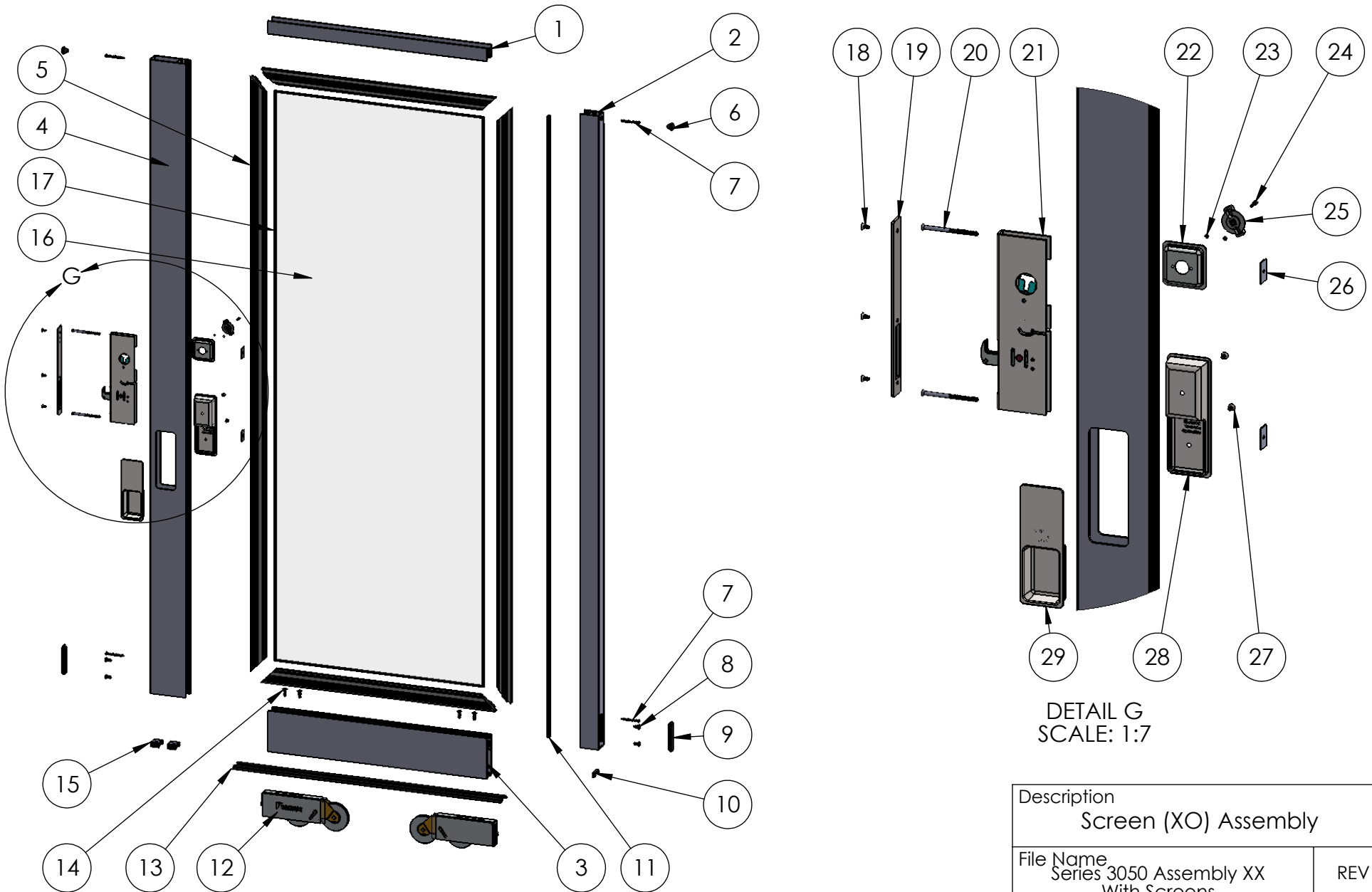


# ASSEMBLY / PARTS LIST (B.O.M.)

EXTRUSIONS				HARDWARE			
ITEM NO.	PART NUMBER	DESCRIPTION	QTY.	ITEM NO.	PART NUMBER	DESCRIPTION	QTY.
1	3004	Top Rail DG	1	22	24070	OX Primary Latch	1
2	3767	Lock Stile (Archetype)	1	23	25729	#10-32 FHP, 3, SS, Clear	2
3	3099	Mammoth Sliding Bottom Rail DG	1	24	24075	117-311, Archetype Primary Latch(Face) Plate, Cover	1
4	3006	Interlocker DG	1	25	24076	#8-32 FHS, 3/8" Long, Hex Countersunk Screw (Stainless Steel)	3
5	3766	Screen Adapter	4	26	26049, 25325	#8-32 FHS - B, 0.375 in, SS, (Clear, Black)	2
HARDWARE				27	24089, 24091	Archetype Handle, Inside, with Gasket (117-338)	1
ITEM NO.	PART NUMBER	DESCRIPTION	QTY.	28	24090, 24092	Archetype Handle, Outside, with Gasket (117-338)	1
6	20355	#10 PHP -A, 2", SS, Clear	4	29	18671	Back Up Plate # 10-32 x 0.075 Thk.	2
7	20635	Small Round Panel Plug (All Doors)	2				
8	20478	Oval Panel Plug - 3070/3050	2				
9	20357	#1/4-20 PHP - B, 1/2", SS, Clear	4				
10	19141	0.930 in Length Bottom Vent Clip	2				
11	19064	Sill, Wipe, Bottom Vinyl, BL-122	2				
12	18883	A3 Roller, Precision - Tandem	2				
13	20305	1/4-20 FHP - B, 3/4", SS Clear	4				
14	19142	.250 in Length Bottom Vent Clip	1				
15	-	Screen Mesh	1				
16	19129	Screen Rubber Spline, 0.180 in.	1				
17	19117	Large Fin Seal Mohair (29027045BKGB)	1				
18	24765	Archetype Actuator Pocket, OX, SS	1				
19	24074	#4-40 FHP, UC, 1/8", SS, Clear	2				
20	24079, 24766	Archetype Actuator (Black, SS)	1				
21	24072, 24094	#6-32, Hex Socket Head Cap, Self Locking, 1/2", SS (Clear, Black)	1				

Description Screen (OX) Assembly B.O.M.	
File Name Series 3050 Assembly XX With Screens	REV
Released	8/31/2017
SHEET 9 OF 11	

# ASSEMBLY / PARTS LIST (B.O.M.)



DETAIL G  
SCALE: 1:7

Description Screen (XO) Assembly	
File Name Series 3050 Assembly XX With Screens	REV
Released	8/31/2017
SHEET 10 OF 11	

**PROPRIETARY AND CONFIDENTIAL**  
THE INFORMATION CONTAINED IN THIS DRAWING IS THE SOLE PROPERTY OF FLEETWOOD WINDOWS & DOORS.  
ANY REPRODUCTION IN PART OR AS A WHOLE WITHOUT THE WRITTEN PERMISSION OF FLEETWOOD WINDOWS & DOORS IS PROHIBITED.



# ASSEMBLY / PARTS LIST (B.O.M.)

EXTRUSIONS				HARDWARE									
ITEM NO.	PART NUMBER	DESCRIPTION	QTY.	ITEM NO.	PART NUMBER	DESCRIPTION	QTY.						
1	3004	Top Rail DG	1	20	25729	#10-32 FHP, 3, SS, Clear	2						
2	3006	Interlocker DG	1	21	24077	Archetype XO Primary Latch, RH Latch	1						
3	3099	Mammoth Sliding Bottom Rail DG	1	22	24767	Archetype Actuator Pocket, XO, SS	1						
4	3767	Lock Stile (Archetype)	1	23	24074	#4-40 FHP, UC, 1/8", SS, Clear	2						
5	3766	Screen Adapter	4	24	24072, 24094	#6-32, Hex Socket Head Cap, Self Locking, 1/2", SS (Clear, Black)	1						
HARDWARE				25	24079, 24766	Archetype Actuator (Black, SS)	1						
ITEM NO.	PART NUMBER	DESCRIPTION	QTY.	26	18671	Back Up Plate # 10-32 x 0.075 Thk.	2						
6	20635	Small Round Panel Plug (All Doors)	2	27	26049, 25325	#8-32 FHS - B, 0.375 in, SS, (Clear, Black)	2						
7	20355	#10 PHP -A, 2", SS, Clear	4	28	24089, 24091	Archetype Handle, Inside, with Gasket (117-338)	1						
8	20357	#1/4-20 PHP - B, 1/2", SS, Clear	4	29	24090, 24092	Archetype Handle, Outside, with Gasket (117-338)	1						
9	20478	Oval Panel Plug - 3070/3050	2	<table border="1" style="width: 100%; border-collapse: collapse;"> <tr> <td colspan="2">Description Screen (XO) Assembly B.O.M.</td> </tr> <tr> <td>File Name Series 3050 Assembly XX With Screens</td> <td style="text-align: center;">REV</td> </tr> <tr> <td>Released</td> <td style="text-align: center;">8/31/2017</td> </tr> </table>				Description Screen (XO) Assembly B.O.M.		File Name Series 3050 Assembly XX With Screens	REV	Released	8/31/2017
Description Screen (XO) Assembly B.O.M.													
File Name Series 3050 Assembly XX With Screens	REV												
Released	8/31/2017												
10	19142	.250 in Length Bottom Vent Clip	1										
11	19117	Large Fin Seal Mohair (29027045BKGB)	1										
12	18883	A3 Roller, Precision - Tandem	2										
13	19064	Sill, Wipe, Bottom Vinyl, BL-122	2										
14	20305	1/4-20 FHP - B, 3/4", SS Clear	4										
15	19141	0.930 in Length Bottom Vent Clip	2										
16	-	Screen Mesh	1										
17	19129	Screen Rubber Spline, 0.180 in.	1										
18	24076	#8-32 FHS, 3/8" Long, Hex Countersunk Screw (Stainless Steel)	3										
19	24075	117-311, Archetype Primary Latch(Face) Plate, Cover	1										

**PROPRIETARY AND CONFIDENTIAL**  
 THE INFORMATION CONTAINED IN THIS DRAWING IS THE SOLE PROPERTY OF FLEETWOOD WINDOWS & DOORS.  
 ANY REPRODUCTION IN PART OR AS A WHOLE WITHOUT THE WRITTEN PERMISSION OF FLEETWOOD WINDOWS & DOORS IS PROHIBITED.