

ORDER NO.:

ITEM NO.:

REQUIRED DEALER INFO.

**A**(DAYLIGHT WIDTH)

**B**(NET FRAME HEIGHT)

**C**(NET FRAME HEIGHT)

SILL PAN HEIGHT(INTERIOR LEG)  
(3/4", 1-1/16", 1-7/16" OR 1-7/8")

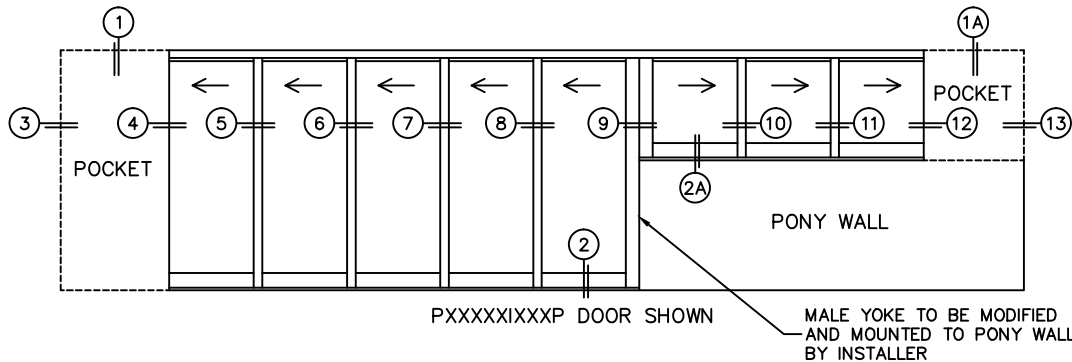
CALCULATED VALUES (FLEETWOOD SUPPLIED)

**D**(POCKET WIDTH)

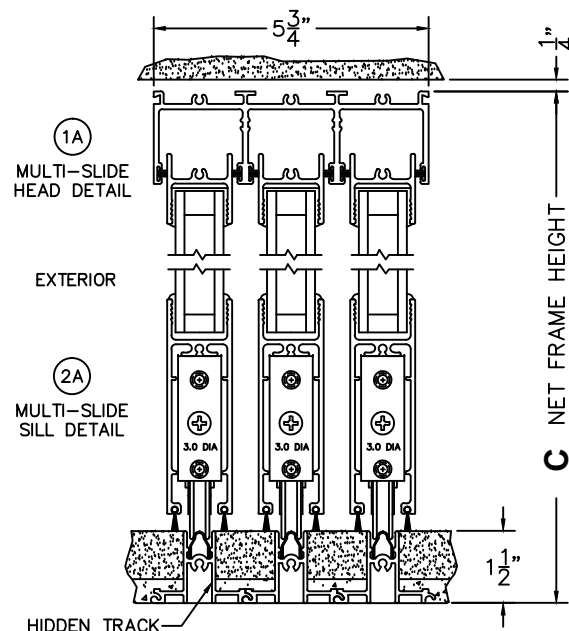
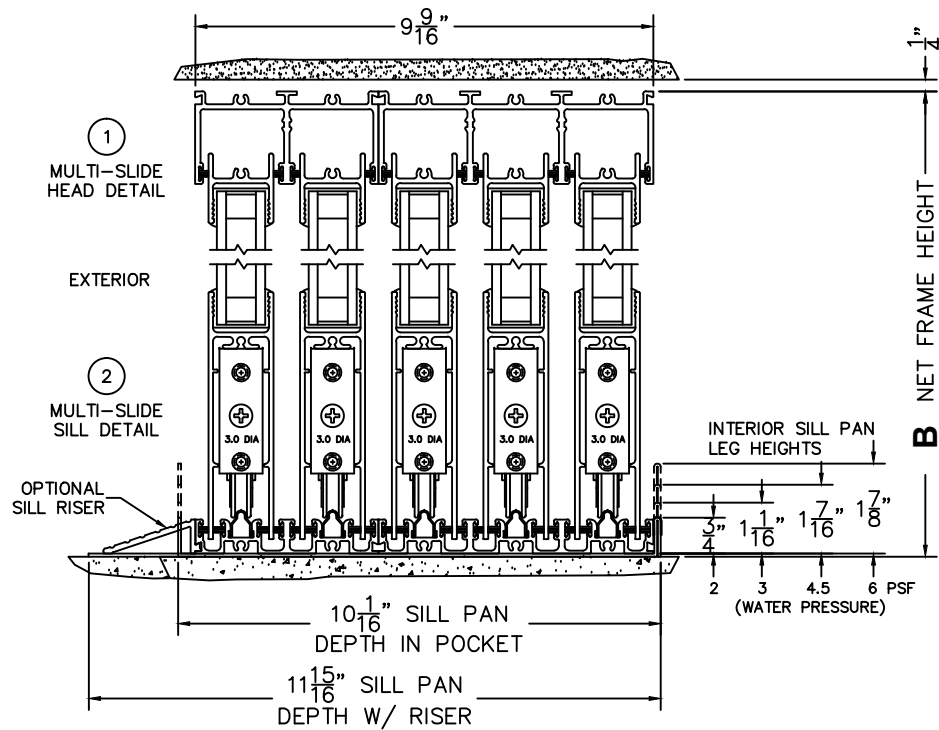
**E**(POCKET WIDTH)

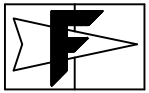
**F**(NET FRAME WIDTH)

SCALE: 1/4



NOTES:





SCALE: 1/4

