

ASSEMBLY / PARTS LIST (B.O.M.)

SERIES: 3050
TYPE: XX Configuration without Screens

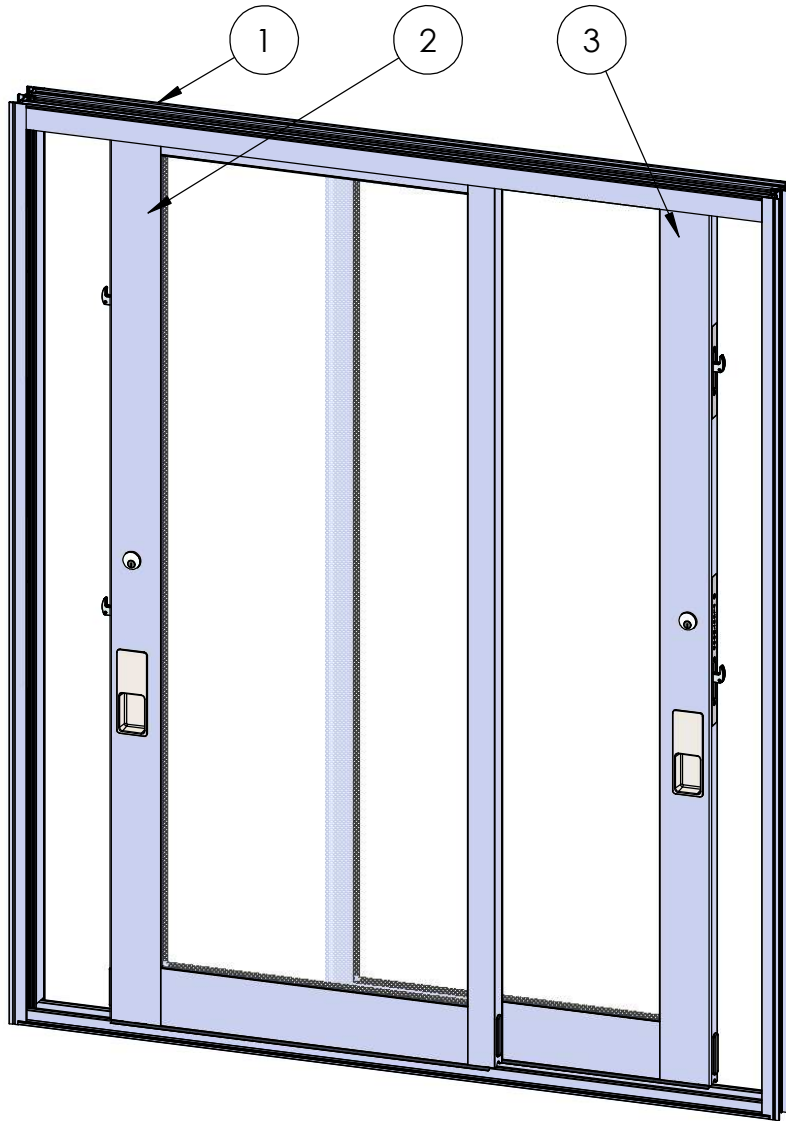


TABLE OF CONTENTS

ITEM NO.	DESCRIPTION	QTY.	PAGE #
1	Frame Assembly	1	2
2	X-Panel Active Right	1	3-4
3	X-Panel Active Left	1	5-6

Description
Table of Contents

File Name
Series 3050 XX Assembly
Without Screens

REV
C

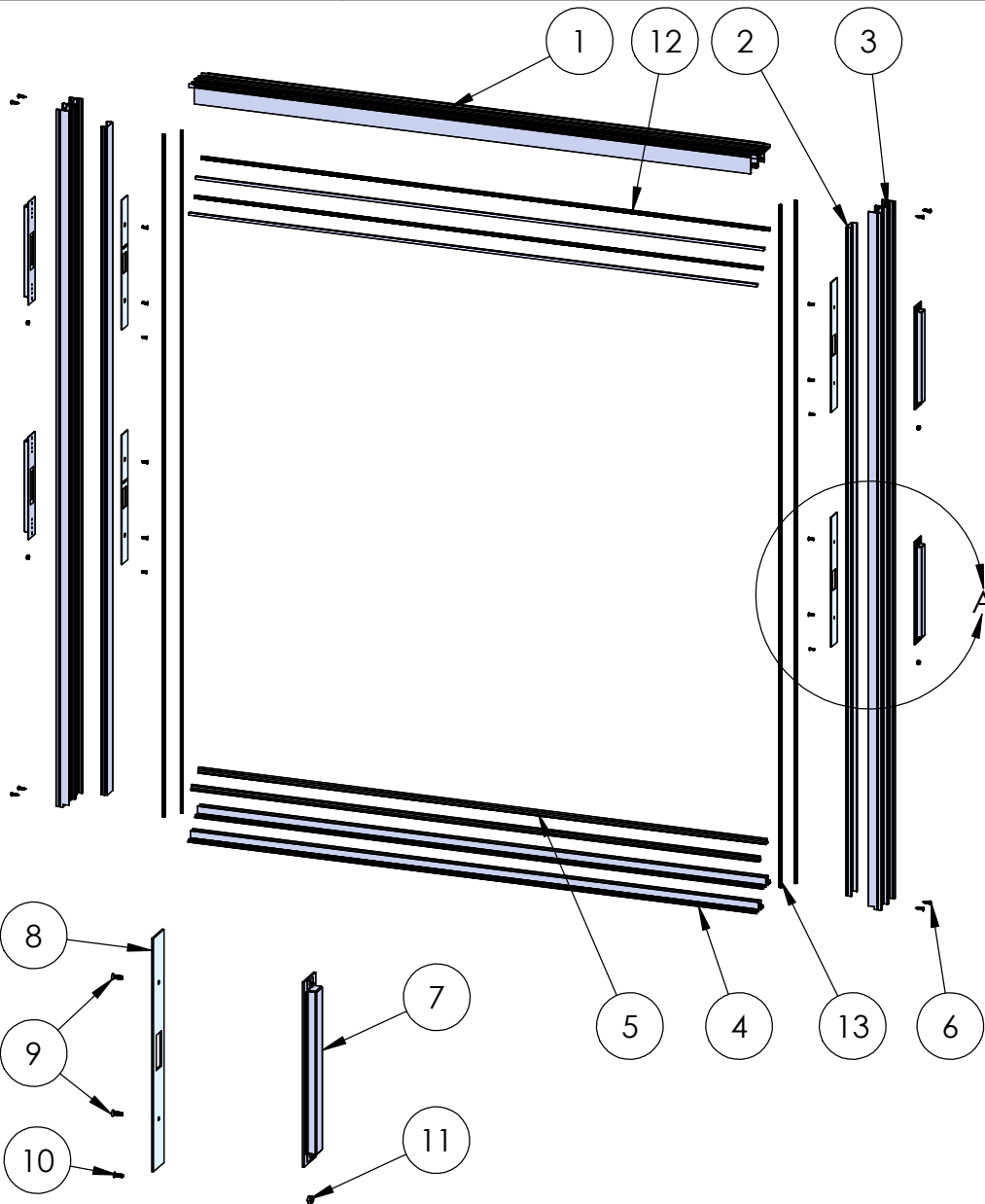
PROPRIETARY AND CONFIDENTIAL

THE INFORMATION CONTAINED IN THIS DRAWING IS THE SOLE PROPERTY OF FLEETWOOD WINDOWS & DOORS.
ANY REPRODUCTION IN PART OR AS A WHOLE WITHOUT THE WRITTEN PERMISSION OF FLEETWOOD WINDOWS & DOORS IS PROHIBITED.

Released 12/7/2022

SHEET 1 OF 6

ASSEMBLY / PARTS LIST (B.O.M.)



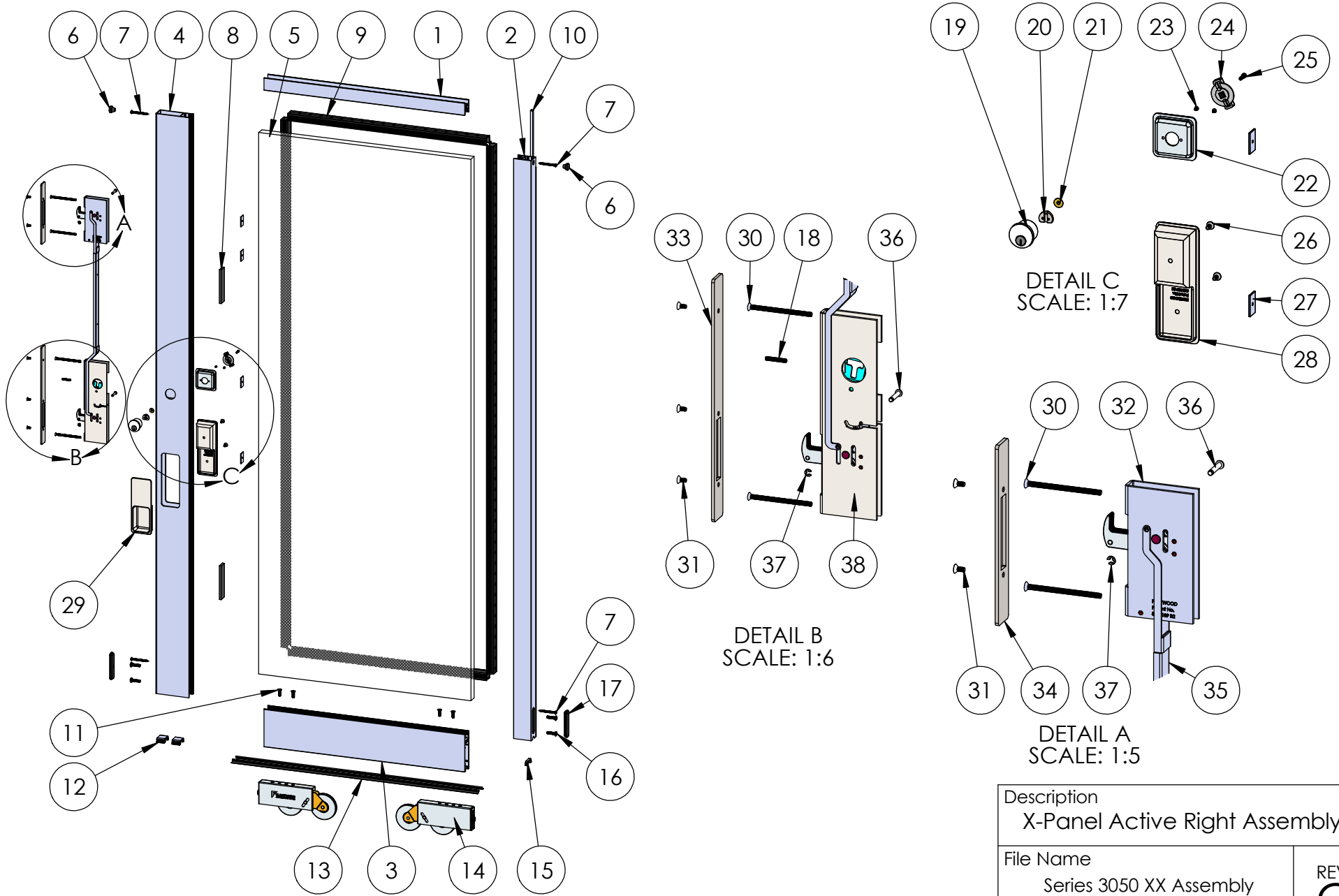
DETAIL A
SCALE: 1:10

EXTRUSIONS			
ITEM NO.	PART NUMBER	DESCRIPTION	QTY.
1	3702	Multi-Slide Head (2 Track)	1
2	3710	Jamb Filler	2
3	3712	Multi-Slide Jamb (2 track)	2
4	1092	1" Hidden Track	2
HARDWARE			
ITEM NO.	PART NUMBER	DESCRIPTION	QTY.
5	FW1020	Standard Stainless Steel Track Insert	2
6	20347	#10 PHP Screw, 3/4", SS	8
7	24068	Backup Plate (With Dust Cover)	4
8	24067	Strike Plate	4
9	20278	#10-32 FHP-B-UC Screw, 1/2", SS	8
10	25497	#8-32 FHC-UC Screw, 1/2", SS	4
11	25498	#8-32 Nut With Nylon-Insert Hex Locknut, SS	4
12	19118	Small Fin Seal Mohair	4
13	25757	Q-Lon Foam Seal	4

PROPRIETARY AND CONFIDENTIAL
THE INFORMATION CONTAINED IN THIS DRAWING IS THE SOLE PROPERTY OF FLEETWOOD WINDOWS & DOORS.
ANY REPRODUCTION IN PART OR AS A WHOLE WITHOUT THE WRITTEN PERMISSION OF FLEETWOOD WINDOWS & DOORS IS PROHIBITED.

Description Frame Assembly	
File Name Series 3050 XX Assembly Without Screens	REV C
Released 12/7/2022	SHEET 2 OF 6

ASSEMBLY / PARTS LIST (B.O.M.)



PROPRIETARY AND CONFIDENTIAL
THE INFORMATION CONTAINED IN THIS DRAWING IS THE SOLE PROPERTY OF FLEETWOOD WINDOWS & DOORS.
ANY REPRODUCTION IN PART OR AS A WHOLE WITHOUT THE WRITTEN PERMISSION OF FLEETWOOD WINDOWS & DOORS IS PROHIBITED.

Description X-Panel Active Right Assembly	
File Name Series 3050 XX Assembly Without Screens	REV C
Released 12/7/2022	SHEET 3 OF 6

ASSEMBLY / PARTS LIST (B.O.M.)

EXTRUSIONS				HARDWARE			
ITEM NO.	PART NUMBER	DESCRIPTION	QTY.	ITEM NO.	PART NUMBER	DESCRIPTION	QTY.
1	3004	Top Rail	1	22	24767, 24081	Archetype Actuator Pocket, XO, (SS, BL)	1
2	3006	Interlocker	1	23	24074	#4-40 FHP-UC, .188", SS	2
3	3099	Bottom Rail	1	24	24766, 24079	Archetype Actuator (SS, BL)	1
4	3767	Lock Stile (Archetype)	1	25	24072, 24094	#6-32, Hex Socket Head Cap, Self Locking, 1/2", SS (SS, BL)	1
HARDWARE				26	24087, 24093	#10-32 FH Socket Screw, 0.4375" (SS, BL)	2
ITEM NO.	PART NUMBER	DESCRIPTION	QTY.	27	18671	Back Up Plate # 10-32 x 0.075" Thk.	4
5	-	Glass	1	28	24089, 24091	Archetype Handle, Inside, with Gasket (SS, BL)	1
6	20635	Small Round Panel Plug	2	29	24090, 24092	Archetype Handle, Outside, with Gasket (SS, BL)	1
7	20355	#10 PHP -A, 2", SS	4	30	25729	#10-32 FHP, 3", SS, Clear	4
8	18620	Setting Block 4" x 1/4"x1"	2	31	24076	#8-32 FH Socket Cap Screw, 3/8",SS	5
9	22909	1" Glazing Vinyl (Shown)	1	32	24082	Archetype Secondary Latch	1
10	19117	Large Fin Seal Mohair	1	33	26685	Archetype Latch Faceplate	1
11	20305	#1/4-20 FHP - B, 3/4", SS	4	34	26686	Archetype Secondary Latch Faceplate	1
12	19141	Bottom Vent Clip (Large)	2	35	26373	Archetype Secondary Latch Linkage	1
13	19064	Sill Wipe, Bottom Vinyl, BL-122	2	36	24128	Archetype, Grooved Clevis Pin	2
14	18883	A3 Roller	2	37	24129	E-Style Retaining Ring	2
15	19142	.250" Length Bottom Vent Clip	1	38	24077	Archetype XO Primary Latch	1
16	20359	#1/4-20 PHP-B Screw, 1"	4				
17	20478	Oval Panel Plug Long	2				
18	24935	#8-32 Set Screw, 1"	1				
19	25356, 24782, 24784, 24783	Archetype Keyed Cylinder [SS- (KA, KD), BL- (KA, KD)]	1				
20	24780	Cam	1				
21	25681	Bushing-Key Cylinder	1				

Description
X-Panel Active Right B.O.M.

File Name
Series 3050 XX Assembly
Without Screens

REV
C

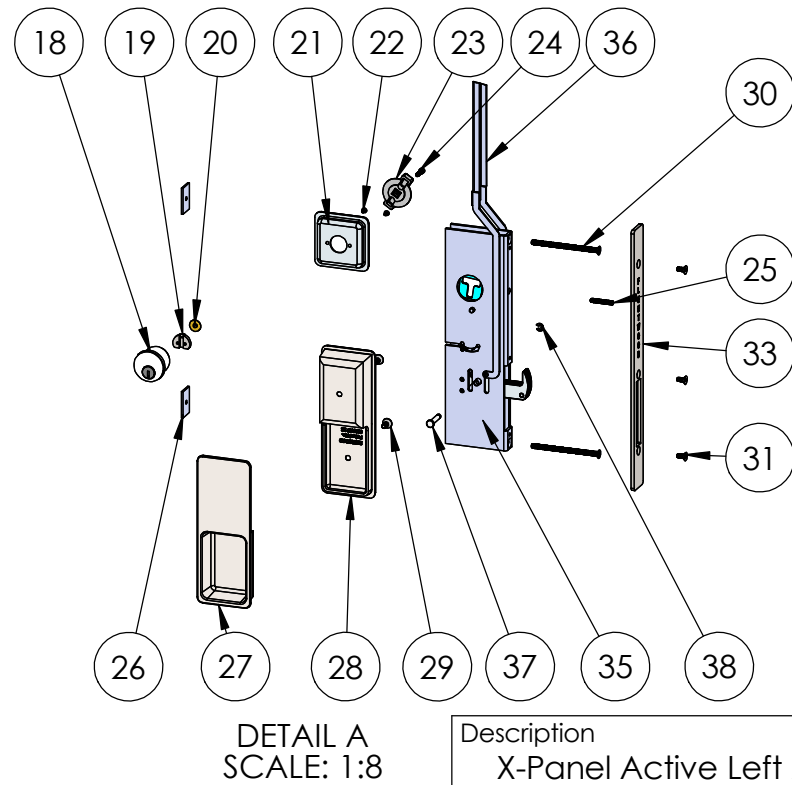
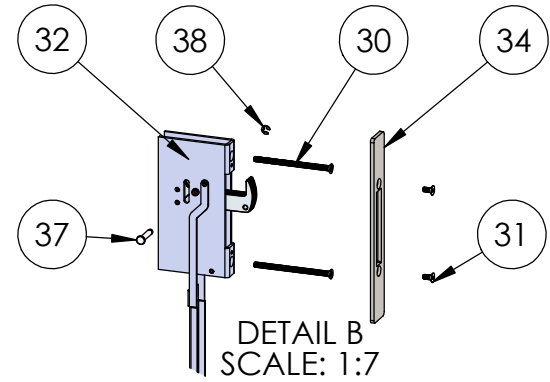
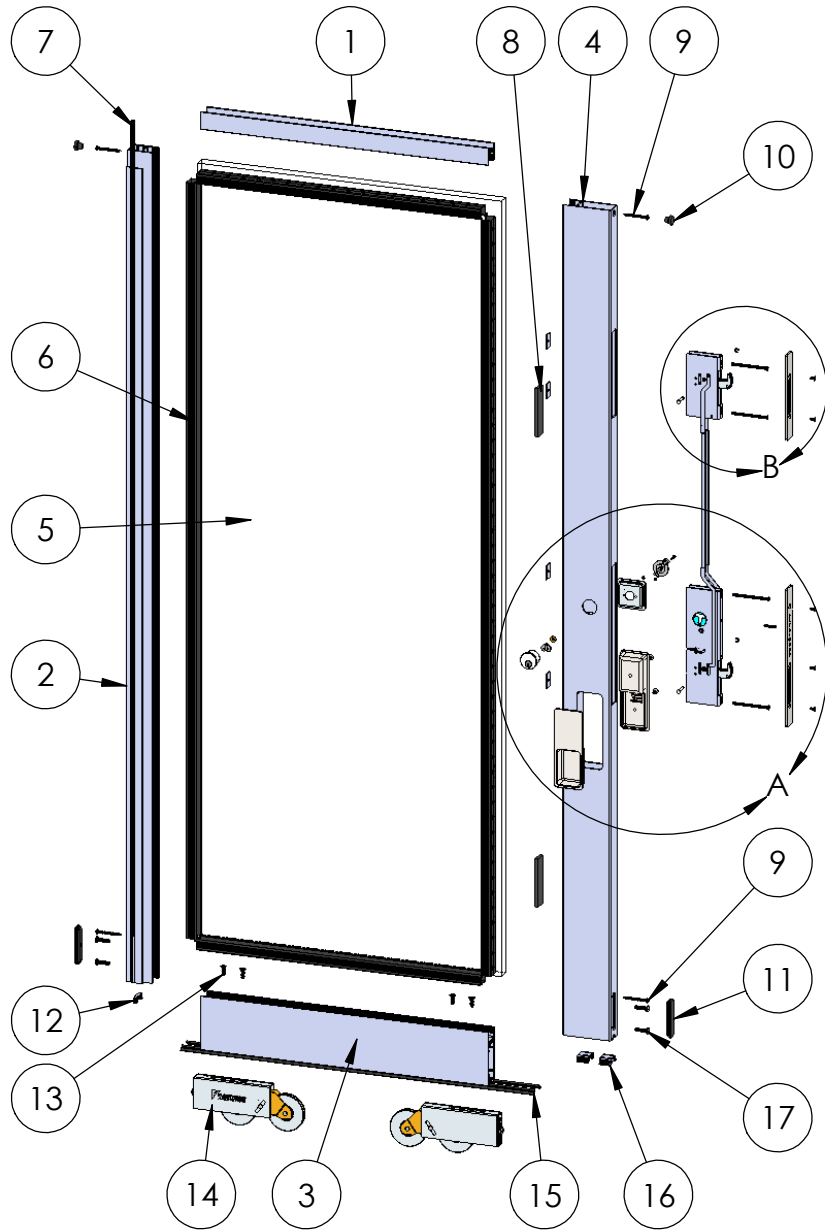
PROPRIETARY AND CONFIDENTIAL

THE INFORMATION CONTAINED IN THIS DRAWING IS THE SOLE PROPERTY OF FLEETWOOD WINDOWS & DOORS.
ANY REPRODUCTION IN PART OR AS A WHOLE WITHOUT THE WRITTEN PERMISSION OF FLEETWOOD WINDOWS & DOORS IS PROHIBITED.

Released 12/7/2022

SHEET 4 OF 6

ASSEMBLY / PARTS LIST (B.O.M.)



PROPRIETARY AND CONFIDENTIAL
THE INFORMATION CONTAINED IN THIS DRAWING IS THE SOLE PROPERTY OF FLEETWOOD WINDOWS & DOORS.
ANY REPRODUCTION IN PART OR AS A WHOLE WITHOUT THE WRITTEN PERMISSION OF FLEETWOOD WINDOWS & DOORS IS PROHIBITED.

Description X-Panel Active Left Assembly	
File Name Series 3050 XX Assembly Without Screens	REV C
Released	12/7/2022
SHEET 5 OF 6	

ASSEMBLY / PARTS LIST (B.O.M.)

EXTRUSIONS

ITEM NO.	PART NUMBER	DESCRIPTION	QTY.
1	3004	Top Rail	1
2	3006	Interlocker	1
3	3099	Bottom Rail	1
4	3767	Lock Stile (Archetype)	1

HARDWARE

ITEM NO.	PART NUMBER	DESCRIPTION	QTY.
5	-	Glass	1
6	22909	1" Glazing Vinyl (Shown)	1
7	19117	Large Fin Seal Mohair	1
8	18620	Setting Block 4" x 1/4"x1"	2
9	20355	#10 PHP -A, 2", SS	4
10	20635	Small Round Door Bumper	2
11	20478	Oval Panel Plug Long	2
12	19142	.250" Length Bottom Vent Clip	1
13	20305	#1/4-20 FHP - B, 3/4", SS	4
14	18883	A3 Roller	2
15	19064	Sill Wipe, Bottom Vinyl, BL-122	2
16	19141	Bottom Vent Clip (Large)	2
17	20359	#1/4-20 PHP-B Screw, 1"	4
18	25356, 24782, 24784, 24783	Archetype Keyed Cylinder [SS- (KA, KD), BL- (KA, KD)]	1
19	24780	Cam	1
20	25681	Bushing-Key Cylinder	1
21	24765, 24080	Archetype Actuator Pocket, OX, (SS, BL)	1

HARDWARE

ITEM NO.	PART NUMBER	DESCRIPTION	QTY.
22	24074	#4-40 FHP-UC, .188", SS	2
23	24766, 24079	Archetype Actuator (SS, BL)	1
24	24072, 24094	#6-32, Hex Socket Head Cap, Self Locking, 1/2", SS (SS, BL)	1
25	24935	#8-32 Set Screw, 1"	1
26	18671	Back Up Plate # 10-32 x 0.075" Thk.	4
27	24090, 24092	Archetype Handle, Outside, with Gasket (SS, BL)	1
28	24089, 24091	Archetype Handle, Inside, with Gasket (SS, BL)	1
29	24087, 24093	#10-32 FH Socket Screw, 0.4375" (SS, BL)	2
30	25729	#10-32 FHP, 3", SS, Clear	4
31	24076	#8-32 FH Socket Cap Screw, 3/8",SS	5
32	24082	Archetype Secondary Latch	1
33	26685	Archetype Latch Faceplate	1
34	26686	Archetype Secondary Latch Faceplate	1
35	24070	Archetype OX Primary Latch	1
36	26373	Archetype Secondary Latch Linkage	1
37	24128	Archetype, Grooved Clevis Pin	2
38	24129	E-Style Retaining Ring	2

Description
X-Panel Active Left B.O.M.

File Name
Series 3050 XX Assembly
Without Screens

REV
C

PROPRIETARY AND CONFIDENTIAL

THE INFORMATION CONTAINED IN THIS DRAWING IS THE SOLE PROPERTY OF FLEETWOOD WINDOWS & DOORS.
ANY REPRODUCTION IN PART OR AS A WHOLE WITHOUT THE WRITTEN PERMISSION OF FLEETWOOD WINDOWS & DOORS IS PROHIBITED.

Released 12/7/2022

SHEET 6 OF 6