

ASSEMBLY / PARTS LIST (B.O.M.)

SERIES: 3050
CONFIGURATION: XX WITH SCREENS

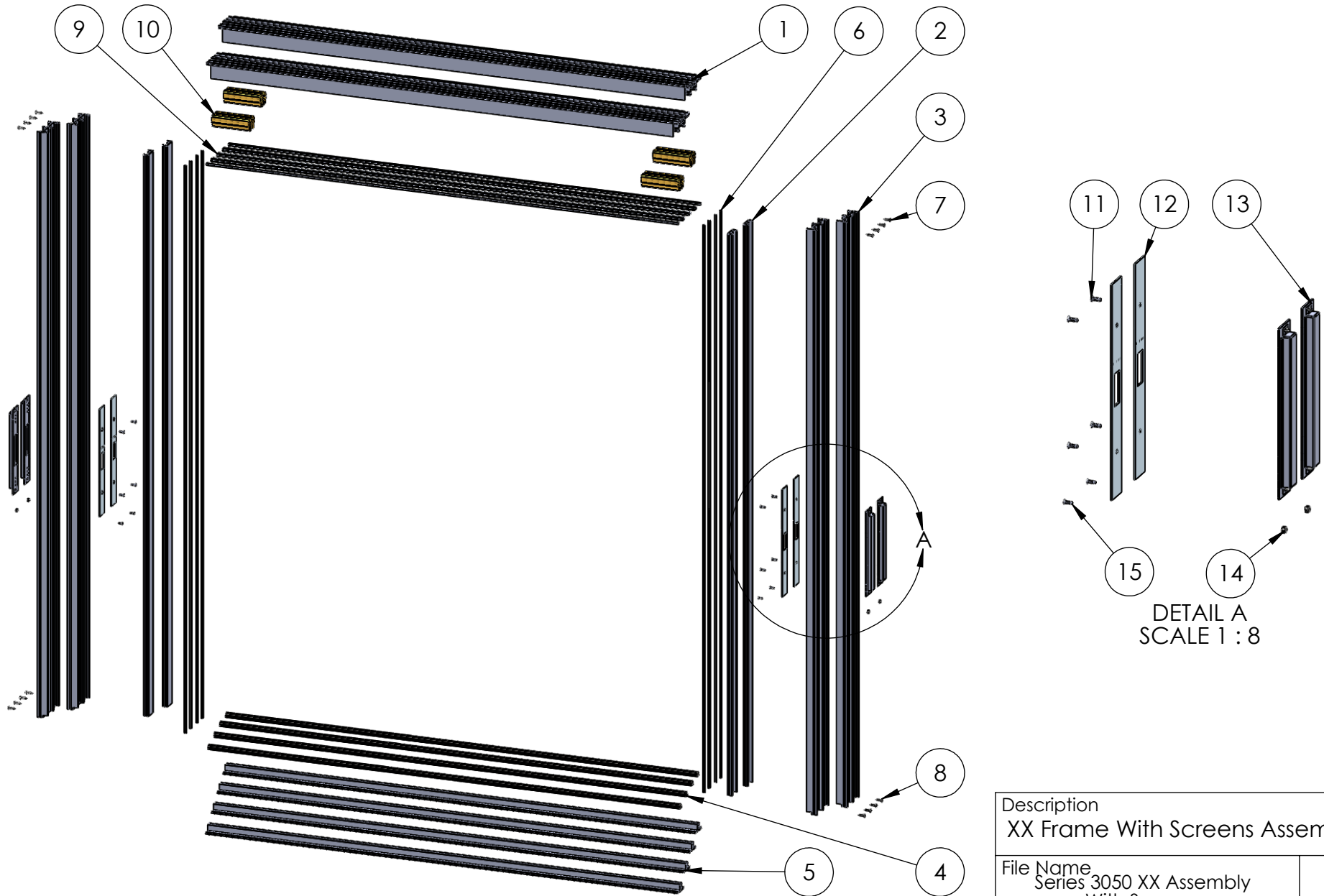


ITEM NO.	DESCRIPTION	PAGE #
1	XX Frame With Screens Assembly	1
2	Screen Panel (XO) Assembly	1
3	Screen Panel (OX) Assembly	1
4	X Panel (OX) Assembly	1
5	X Panel (XO) Assembly (Interior Stack)	1

Description Table of Contents	
File Name Series 3050 XX Assembly With Screens	REV
Released 5/29/2019	SHEET 1 OF 11

PROPRIETARY AND CONFIDENTIAL
 THE INFORMATION CONTAINED IN THIS DRAWING IS THE SOLE PROPERTY OF FLEETWOOD WINDOWS & DOORS.
 ANY REPRODUCTION IN PART OR AS A WHOLE WITHOUT THE WRITTEN PERMISSION OF FLEETWOOD WINDOWS & DOORS IS PROHIBITED.

ASSEMBLY / PARTS LIST (B.O.M.)



PROPRIETARY AND CONFIDENTIAL
 THE INFORMATION CONTAINED IN THIS DRAWING IS THE SOLE PROPERTY OF FLEETWOOD WINDOWS & DOORS.
 ANY REPRODUCTION IN PART OR AS A WHOLE WITHOUT THE WRITTEN PERMISSION OF FLEETWOOD WINDOWS & DOORS IS PROHIBITED.

Description XX Frame With Screens Assembly	
File Name Series 3050 XX Assembly With Screens	REV
Released	5/29/2019
SHEET 2 OF 11	

ASSEMBLY / PARTS LIST (B.O.M.)

EXTRUSIONS			
ITEM NO.	PART NUMBER	DESCRIPTION	QTY.
1	3702	Multi-Slide Head (2 Track)	2
2	3710	Jamb Filler	4
3	3712	Multi-Slide Jamb (2 Track)	4
4	FW1020	Standard Stainless Steel Track Insert, 0.5625 in	4
5	1092	1" Hidden Track	4
HARDWARE			
ITEM NO.	PART NUMBER	DESCRIPTION	QTY.
6	25757	Q-Lon Foam Seal (Q200T270)	8
7	20345	#10 PHP - A Screw, 0.75 in, Zinc	8
8	20347	#10 PHP Screw, 0.75 in, SS, Clear	8
9	19118	Small Fin Seal Mohair (23027045BKGB)	8
10	24101	Bumper, Sliding Door Honeycomb Head Installation	4
11	20278	#10-32 FHP-B-UC Screw, 0.5625 in, SS, Clear	8
12	24067	Strike Plate	4
13	24068	Backup Plate (With Dust Cover)	4
14	25498	#8-32 Nut With Nylon-Insert Hex Locknut, SS	4
15	25497	#8-32 FHC-UC Screw, 0.50 in, SS	4

Description
XX Frame With Screens B.O.M.

File Name
Series 3050 XX Assembly
With Screens

REV

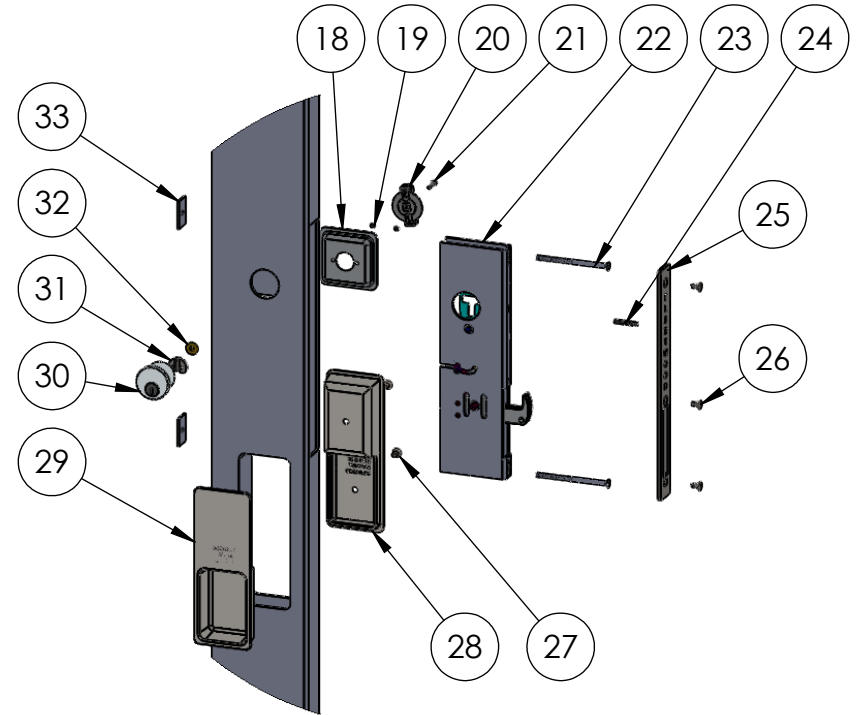
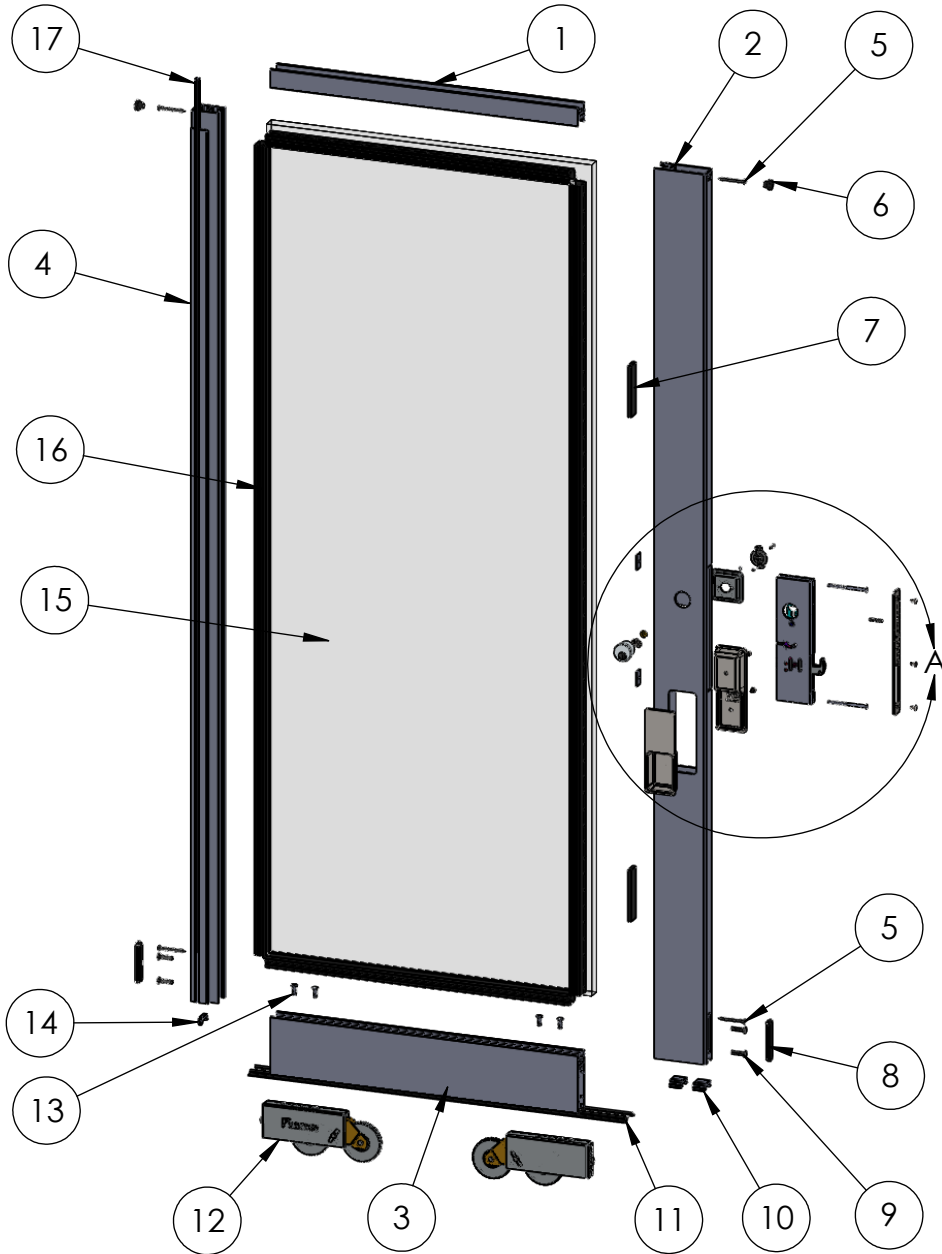
PROPRIETARY AND CONFIDENTIAL

THE INFORMATION CONTAINED IN THIS DRAWING IS THE SOLE PROPERTY OF FLEETWOOD WINDOWS & DOORS.
ANY REPRODUCTION IN PART OR AS A WHOLE WITHOUT THE WRITTEN PERMISSION OF FLEETWOOD WINDOWS & DOORS IS PROHIBITED.

Released 5/29/2019

SHEET 3 OF 11

ASSEMBLY / PARTS LIST (B.O.M.)



DETAIL A
 SCALE 2 : 15

PROPRIETARY AND CONFIDENTIAL
 THE INFORMATION CONTAINED IN THIS DRAWING IS THE SOLE PROPERTY OF FLEETWOOD WINDOWS & DOORS.
 ANY REPRODUCTION IN PART OR AS A WHOLE WITHOUT THE WRITTEN PERMISSION OF FLEETWOOD WINDOWS & DOORS IS PROHIBITED.

Description X Panel (OX) Assembly	
File Name Series 3050 XX Assembly With Screens	REV
Released	5/29/2019
SHEET 4 OF 11	

ASSEMBLY / PARTS LIST (B.O.M.)

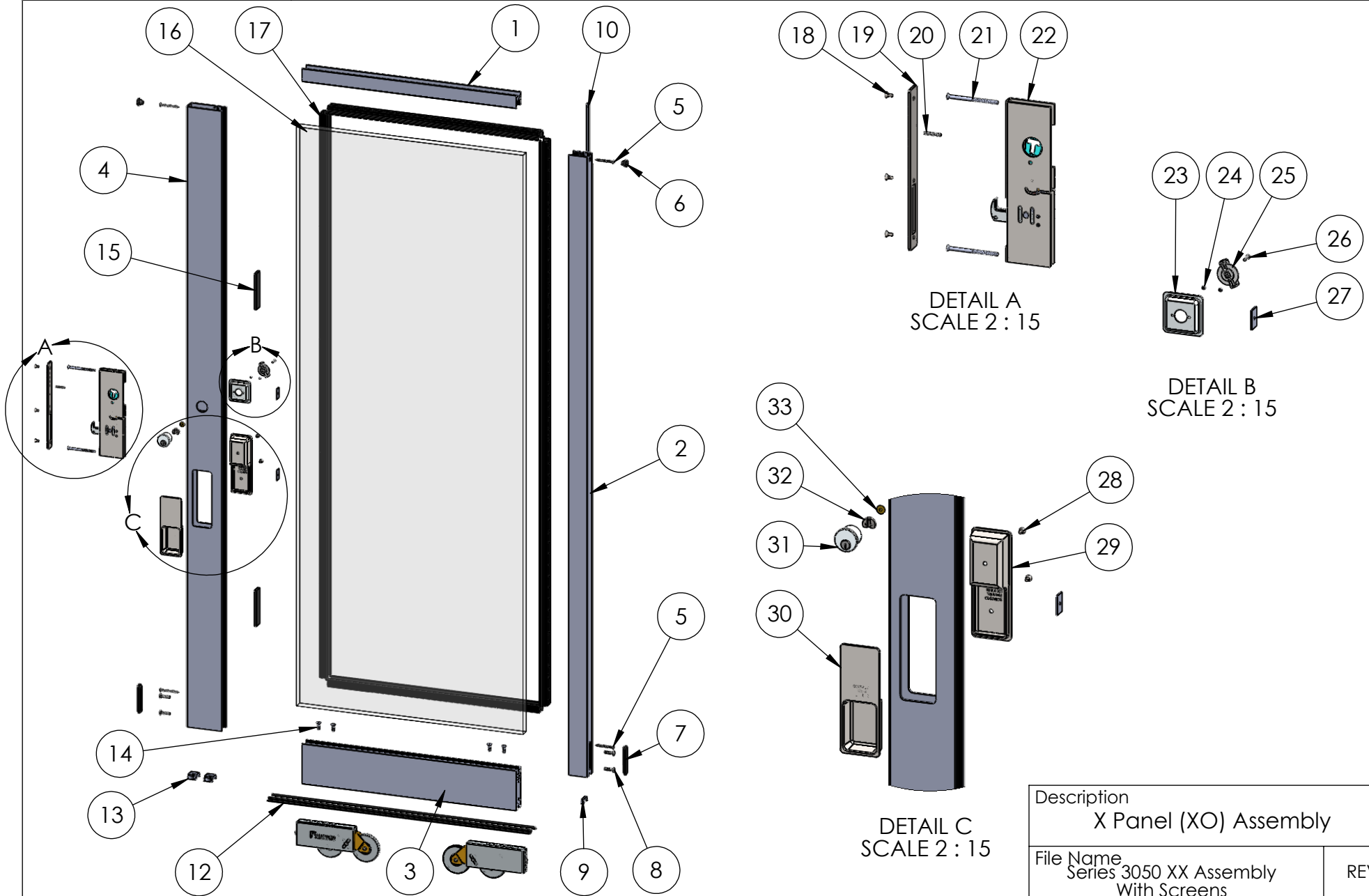
EXTRUSIONS			
ITEM NO.	PART NUMBER	DESCRIPTION	QTY.
1	3004	Top Rail DG	1
2	3767	Lock Stile (Archetype)	1
3	3099	Mammoth Sliding Bottom Rail DG	1
4	3006	Interlocker DG	1

HARDWARE			
ITEM NO.	PART NUMBER	DESCRIPTION	QTY.
5	20355	#10 PHP -A, 2", SS, Clear	4
6	20635	Small Round Door Bumper	2
7	18620	Setting Block 4" x 1/4"x1"	2
8	20478	Oval Plug - Long	2
9	20359	#1/4-20 PHP-B Screw, 1"	4
10	19141	Bottom Vent Clip	2
11	19064	Sill, Wipe, Bottom Vinyl, BL-122	2
12	18883	A3 Roller	2
13	20305	1/4-20 FHP - B, 3/4", SS Clear	4
14	19142	.250 in Length Bottom Vent Clip	1
15	-	Glass	1
16	22909	1 inch Glazing Vinyl (Shown)	1
17	19117	Large Fin Seal Mohair (29027045BKGB)	1
18	24765	Archetype Actuator Pocket, OX, SS	1
19	24074	#4-40 FHP, UC, 1/8", SS, Clear	2
20	24079, 24766	Archetype Actuator (Black, SS)	1
21	24072, 24094	#6-32, Hex Socket Head Cap, Self Locking, 1/2", SS (Clear, Black)	1
22	24070	Archetype OX Latch	1

HARDWARE			
ITEM NO.	PART NUMBER	DESCRIPTION	QTY.
23	25729	#10-32 FHP, 3, SS, Clear	2
24	24935	#8-32 Set Screw, 1 in	1
25	24075	Archetype Faceplate	1
26	24076	#8-32 FHS Countersunk Screw, .375 in, SS	3
27	26049, 25325	#8-32 FHS - B, 0.375 in, SS, (Clear, Black)	2
28	24089, 24091	Archetype Handle, Inside, with Gasket	1
29	24090, 24092	Archetype Handle, Outside, with Gasket	1
30	25356, 24782	Archetype Keyed Cylinder (SS) (KA,KD) (with Cam/Bushing/Screw)	1
31	24780	Cam - (for the Archetype Key Cylinder)	1
32	24781	Brass Bushing - Key Cylinder Reg. Arch.	1
33	18671	Back Up Plate # 10-32 x 0.075 Thk.	2

Description X Panel (OX) B.O.M.	
File Name Series 3050 XX Assembly With Screens	REV
Released 5/29/2019	SHEET 5 OF 11

ASSEMBLY / PARTS LIST (B.O.M.)



PROPRIETARY AND CONFIDENTIAL
THE INFORMATION CONTAINED IN THIS DRAWING IS THE SOLE PROPERTY OF FLEETWOOD WINDOWS & DOORS.
ANY REPRODUCTION IN PART OR AS A WHOLE WITHOUT THE WRITTEN PERMISSION OF FLEETWOOD WINDOWS & DOORS IS PROHIBITED.

Description X Panel (XO) Assembly	
File Name Series 3050 XX Assembly With Screens	REV
Released	5/29/2019
SHEET 6 OF 11	

ASSEMBLY / PARTS LIST (B.O.M.)

EXTRUSIONS			
ITEM NO.	PART NUMBER	DESCRIPTION	QTY.
1	3004	Top Rail DG	1
2	3006	Interlocker DG	1
3	3099	Mammoth Sliding Bottom Rail DG	1
4	3767	Lock Stile (Archetype)	1
HARDWARE			
ITEM NO.	PART NUMBER	DESCRIPTION	QTY.
5	20355	#10 PHP -A, 2", SS, Clear	4
6	20635	Small Round Panel Plug (All Doors)	2
7	20478	Oval Panel Plug - 3070/3050	2
8	20359	#1/4-20 PHP-B Screw, 1"	4
9	19142	.250 in Length Bottom Vent Clip	1
10	19117	Large Fin Seal Mohair (29027045BKGB)	1
11	18883	A3 Roller	2
12	19064	Sill, Wipe, Bottom Vinyl, BL-122	2
13	19141	Bottom Vent Clip	2
14	20305	1/4-20 FHP - B, 3/4", SS Clear	4
15	18620	Setting Block 4" x 1/4"x1"	2
16	-	Glass	1
17	22909	1 inch Glazing Vinyl (Shown)	1
18	24076	#8-32 FHS Countersunk Screw, .375 in, SS	3
19	24075	Archetype Faceplate	1
20	24935	#8-32 Set Screw, 1 in	1

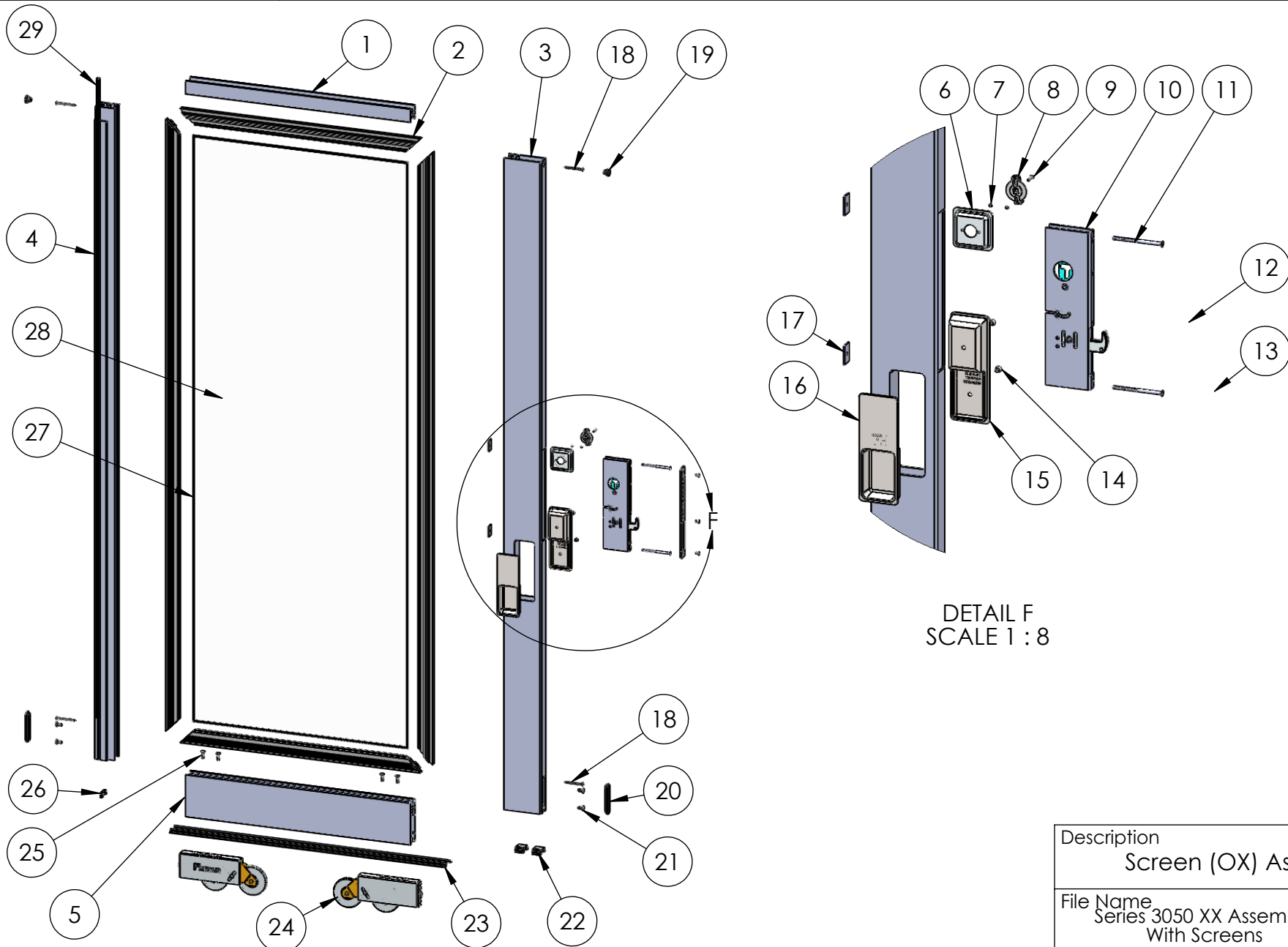
HARDWARE			
ITEM NO.	PART NUMBER	DESCRIPTION	QTY.
21	25729	#10-32 FHP, 3, SS, Clear	2
22	24077	Archetype XO Primary Latch, RH Latch	1
23	24767	Archetype Actuator Pocket, XO, SS	1
24	24074	#4-40 FHP, UC, 1/8", SS, Clear	2
25	24079, 24766	Archetype Actuator (Black, SS)	1
26	24072, 24094	#6-32, Hex Socket Head Cap, Self Locking, 1/2", SS (Clear, Black)	1
27	18671	Back Up Plate # 10-32 x 0.075 Thk.	2
28	26049, 25325	#8-32 FHS - B, 0.375 in, SS, (Clear, Black)	2
29	24089, 24091	Archetype Handle, Inside, with Gasket	1
30	24090, 24092	Archetype Handle, Outside, with Gasket	1
31	25356, 24782	Archetype Keyed Cylinder (SS) (KA,KD) (with Cam/Bushing/Screw)	1
32	24780	Cam - (for the Archetype Key Cylinder)	1
33	24781	Brass Bushing - Key Cylinder Reg. Arch.	1

Description X Panel (XO) B.O.M.	
File Name Series 3050 XX Assembly With Screens	REV
Released 5/29/2019	SHEET 7 OF 11

PROPRIETARY AND CONFIDENTIAL

THE INFORMATION CONTAINED IN THIS DRAWING IS THE SOLE PROPERTY OF FLEETWOOD WINDOWS & DOORS.
ANY REPRODUCTION IN PART OR AS A WHOLE WITHOUT THE WRITTEN PERMISSION OF FLEETWOOD WINDOWS & DOORS IS PROHIBITED.

ASSEMBLY / PARTS LIST (B.O.M.)



DETAIL F
SCALE 1 : 8

PROPRIETARY AND CONFIDENTIAL
THE INFORMATION CONTAINED IN THIS DRAWING IS THE SOLE PROPERTY OF FLEETWOOD WINDOWS & DOORS.
ANY REPRODUCTION IN PART OR AS A WHOLE WITHOUT THE WRITTEN PERMISSION OF FLEETWOOD WINDOWS & DOORS IS PROHIBITED.

Description Screen (OX) Assembly	
File Name Series 3050 XX Assembly With Screens	REV
Released	5/29/2019
SHEET 8 OF 11	

ASSEMBLY / PARTS LIST (B.O.M.)

EXTRUSIONS

ITEM NO.	PART NUMBER	DESCRIPTION	QTY.
1	3004	Top Rail	1
2	3766	Screen Adapter	4
3	3767	Lock Stile (Archetype)	1
4	3006	Interlocker	1
5	3099	Bottom Rail	1

HARDWARE

ITEM NO.	PART NUMBER	DESCRIPTION	QTY.
6	24765	Archetype Actuator Pocket, OX, SS	1
7	24074	#4-40 FHP, UC, 1/8", SS, Clear	2
8	24079, 24766	Archetype Actuator (Black, SS)	1
9	24072, 24094	#6-32, Hex Socket Head Cap, Self Locking, 1/2", SS (Clear, Black)	1
10	24070	OX Primary Latch	1
11	25729	#10-32 FHP, 3, SS, Clear	2
12	24075	Archetype Faceplate	1
13	24076	#8-32 FHS Countersunk Screw, .375 in, SS	3
14	26049, 25325	#8-32 FHS - B, 0.375 in, SS, (Clear, Black)	2
15	24089, 24091	Archetype Handle, Inside, with Gasket	1
16	24090, 24092	Archetype Handle, Outside, with Gasket	1

HARDWARE

ITEM NO.	PART NUMBER	DESCRIPTION	QTY.
17	18671	Back Up Plate # 10-32 x 0.075 Thk.	2
18	20355	#10 PHP -A, 2", SS, Clear	4
19	20635	Small Round Panel Plug (All Doors)	2
20	20478	Oval Panel Plug - 3070/3050	2
21	20357	#1/4-20 PHP - B, 1/2", SS, Clear	4
22	19141	Bottom Vent Clip	2
23	19064	Sill, Wipe, Bottom Vinyl, BL-122	2
24	18883	A3 Roller	2
25	20305	1/4-20 FHP - B, 3/4", SS Clear	4
26	19142	.250 in Length Bottom Vent Clip	1
27	19129	Screen Rubber Spline, 0.180 in.	1
28	-	Screen Mesh	1
29	19117	Large Fin Seal Mohair (29027045BKGB)	1

Description

Screen (OX) Assembly B.O.M.

File Name

Series 3050 XX Assembly
With Screens

REV

PROPRIETARY AND CONFIDENTIAL

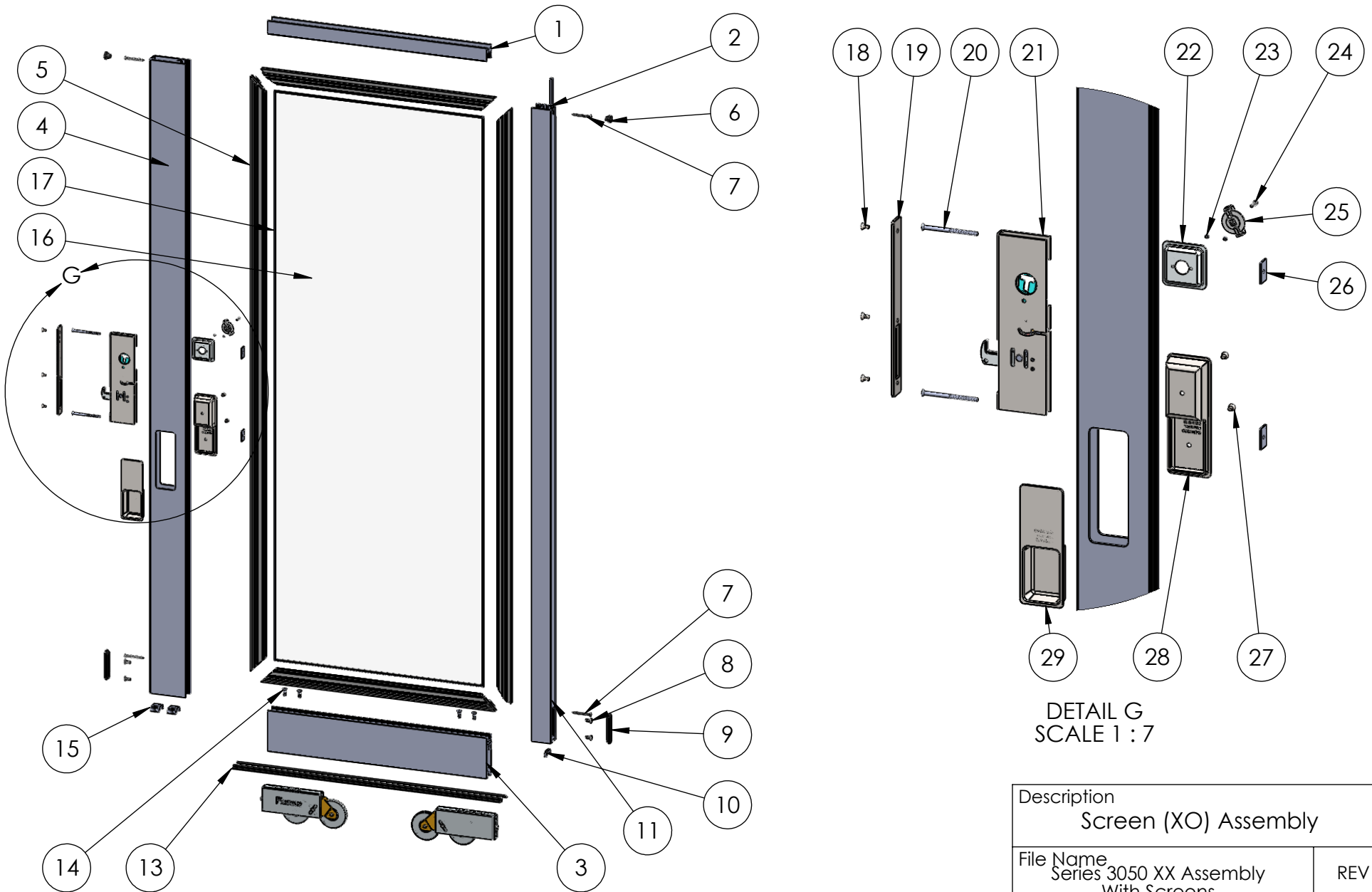
THE INFORMATION CONTAINED IN THIS DRAWING IS THE SOLE PROPERTY OF FLEETWOOD WINDOWS & DOORS.
ANY REPRODUCTION IN PART OR AS A WHOLE WITHOUT THE WRITTEN PERMISSION OF FLEETWOOD WINDOWS & DOORS IS PROHIBITED.

Released

5/29/2019

SHEET 9 OF 11

ASSEMBLY / PARTS LIST (B.O.M.)



DETAIL G
SCALE 1 : 7

Description Screen (XO) Assembly	
File Name Series 3050 XX Assembly With Screens	REV
Released	5/29/2019
SHEET 10 OF 11	

PROPRIETARY AND CONFIDENTIAL
THE INFORMATION CONTAINED IN THIS DRAWING IS THE SOLE PROPERTY OF FLEETWOOD WINDOWS & DOORS.
ANY REPRODUCTION IN PART OR AS A WHOLE WITHOUT THE WRITTEN PERMISSION OF FLEETWOOD WINDOWS & DOORS IS PROHIBITED.

ASSEMBLY / PARTS LIST (B.O.M.)

EXTRUSIONS			
ITEM NO.	PART NUMBER	DESCRIPTION	QTY.
1	3004	Top Rail DG	1
2	3006	Interlocker DG	1
3	3099	Mammoth Sliding Bottom Rail DG	1
4	3767	Lock Stile (Archetype)	1
5	3766	Screen Adapter	4

HARDWARE			
ITEM NO.	PART NUMBER	DESCRIPTION	QTY.
6	20635	Small Round Panel Plug (All Doors)	2
7	20355	#10 PHP -A, 2", SS, Clear	4
8	20357	#1/4-20 PHP - B, 1/2", SS, Clear	4
9	20478	Oval Panel Plug - 3070/3050	2
10	19142	.250 in Length Bottom Vent Clip	1
11	19117	Large Fin Seal Mohair (29027045BKGB)	1
12	18883	A3 Roller	2
13	19064	Sill, Wipe, Bottom Vinyl, BL-122	2
14	20305	1/4-20 FHP - B, 3/4", SS Clear	4
15	19141	Bottom Vent Clip	2
16	-	Screen Mesh	1
17	19129	Screen Rubber Spline, 0.180 in.	1
18	24076	#8-32 FHS Countersunk Screw, .375 in, SS	3
19	24075	Archetype Faceplate	1

HARDWARE			
ITEM NO.	PART NUMBER	DESCRIPTION	QTY.
20	25729	#10-32 FHP, 3, SS, Clear	2
21	24077	Archetype Latch (XO)	1
22	24767	Archetype Actuator Pocket, XO, SS	1
23	24074	#4-40 FHP, UC, 1/8", SS, Clear	2
24	24072, 24094	#6-32, Hex Socket Head Cap, Self Locking, 1/2", SS (Clear, Black)	1
25	24079, 24766	Archetype Actuator (Black, SS)	1
26	18671	Back Up Plate # 10-32 x 0.075 Thk.	2
27	26049, 25325	#8-32 FHS - B, 0.375 in, SS, (Clear, Black)	2
28	24089, 24091	Archetype Handle, Inside, with Gasket	1
29	24090, 24092	Archetype Handle, Outside, with Gasket	1

Description
Screen (XO) Assembly B.O.M.

File Name
Series 3050 XX Assembly
With Screens

REV

PROPRIETARY AND CONFIDENTIAL

THE INFORMATION CONTAINED IN THIS DRAWING IS THE SOLE PROPERTY OF FLEETWOOD WINDOWS & DOORS.
ANY REPRODUCTION IN PART OR AS A WHOLE WITHOUT THE WRITTEN PERMISSION OF FLEETWOOD WINDOWS & DOORS IS PROHIBITED.

Released 5/29/2019

SHEET 11 OF 11