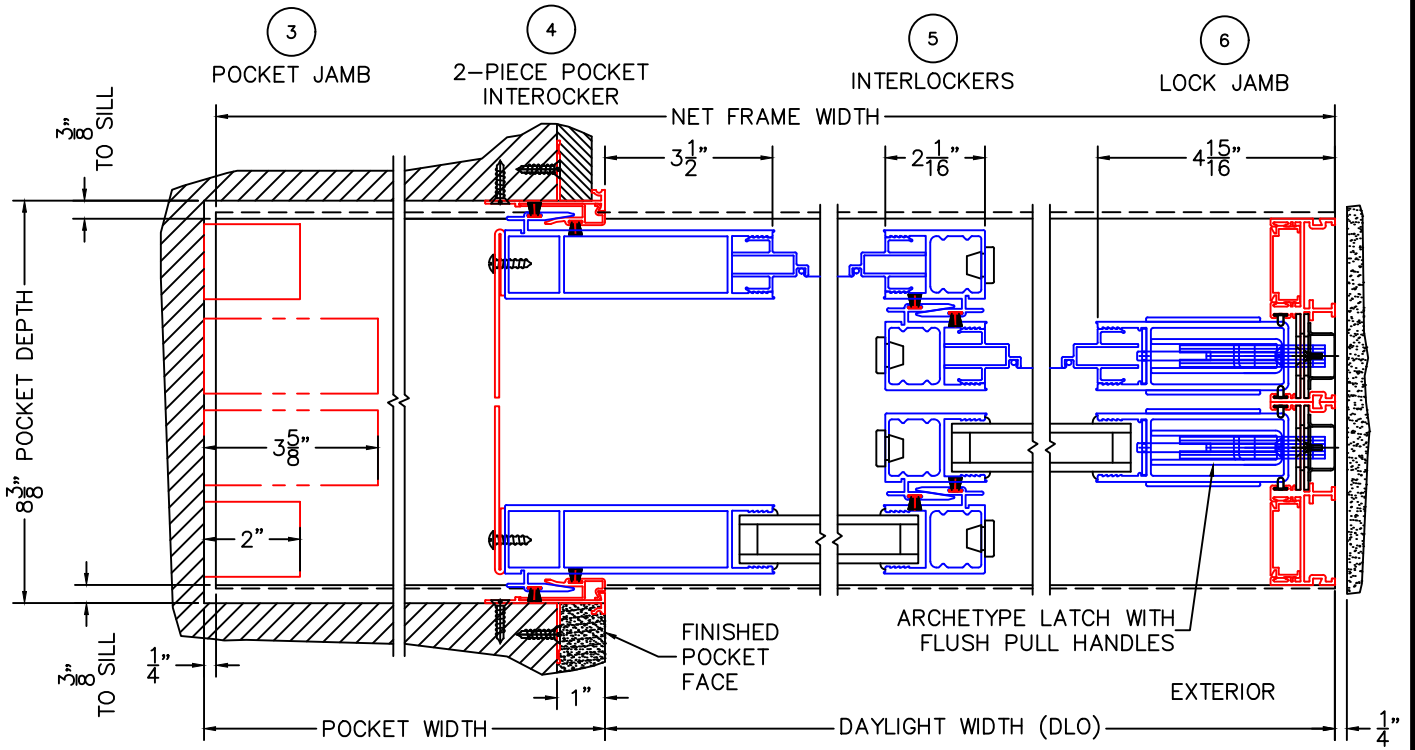
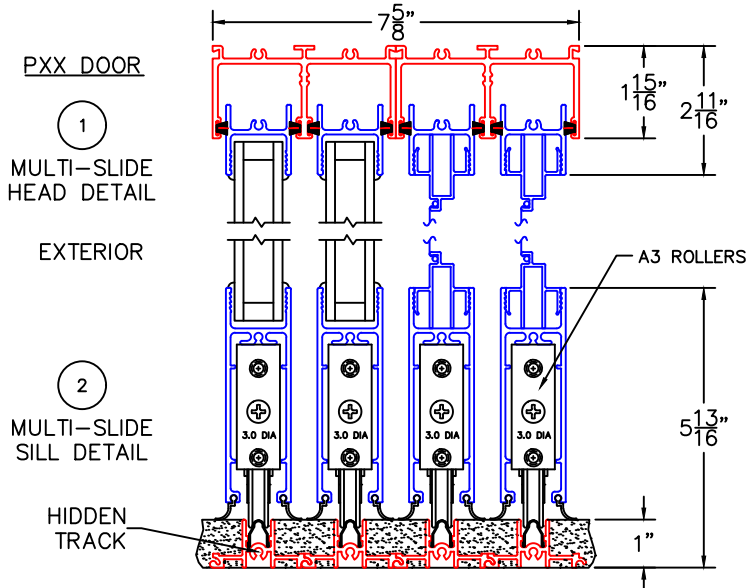
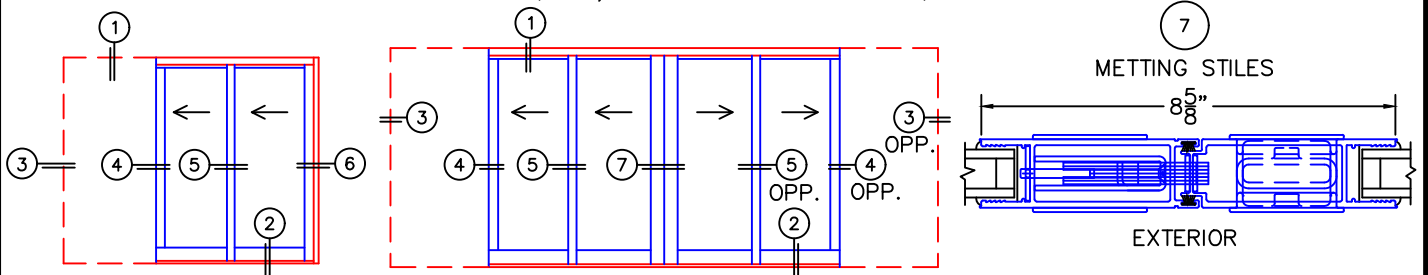


(USE RULER TO SCALE DIMENSIONS IN INCHES)  
**SCALE: 1/4**

## MULTI-SLIDE POCKET DOOR DETAILS WITH SCREENS



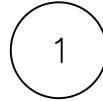
NOTE: CENTERLINES ARE NOT DIVIDED EQUALLY; CONFIRM CENTERLINES WHEN REQUIRED.



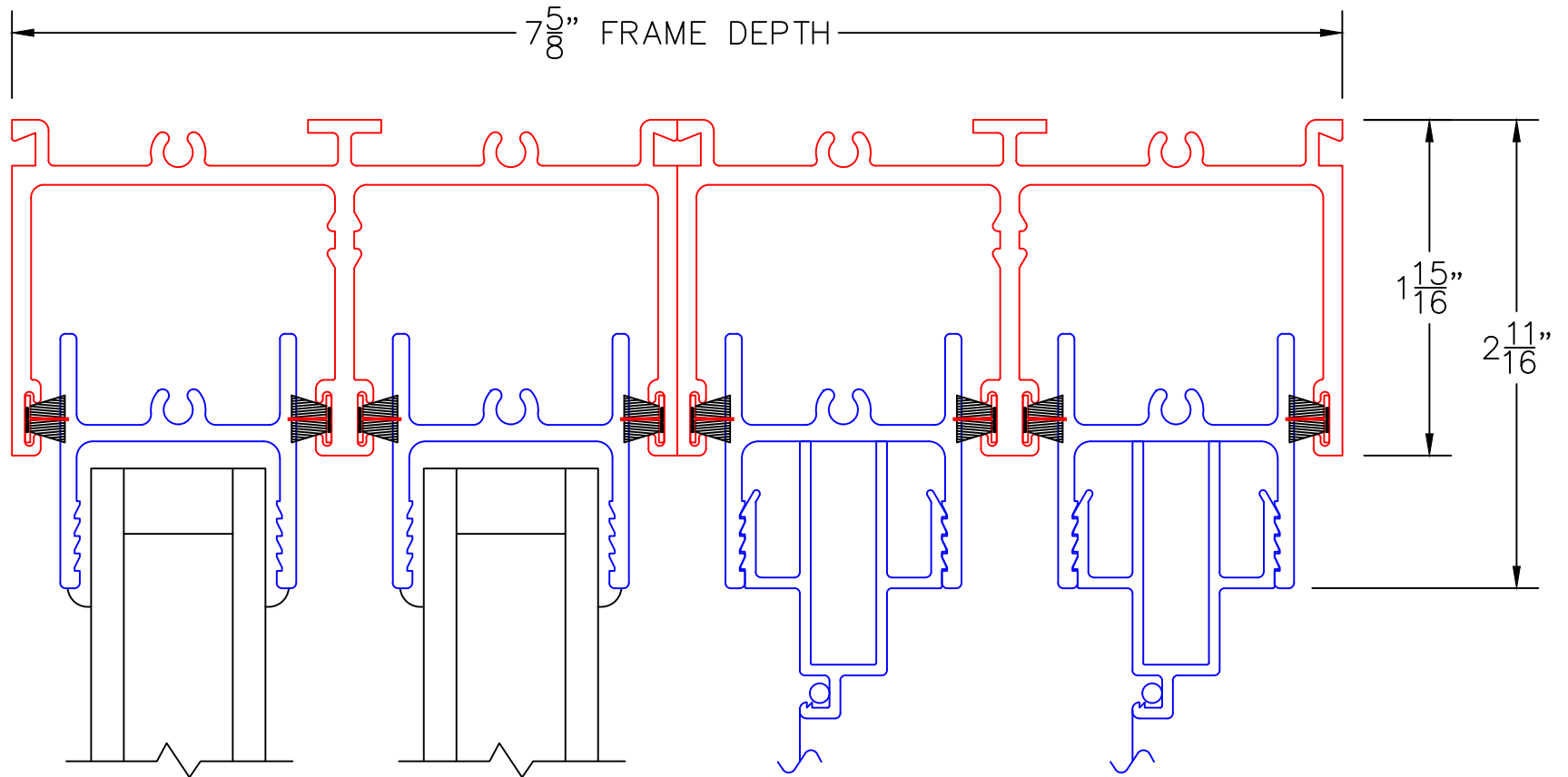
-GLASS PENETRATION: 11/16"  
-FOR ADDITIONAL OPTIONS AND UPGRADES  
SEE DRAWINGS 3050-08, 3050-09 & 3050-10.

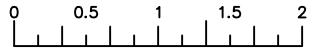
0 0.5 1  
(USE RULER TO SCALE DIMENSIONS IN INCHES)  
**SCALE: FULL**

PXX DOOR  
HIDDEN TRACK



MULTI-SLIDE  
HEAD DETAIL





(USE RULER TO SCALE DIMENSIONS IN INCHES)

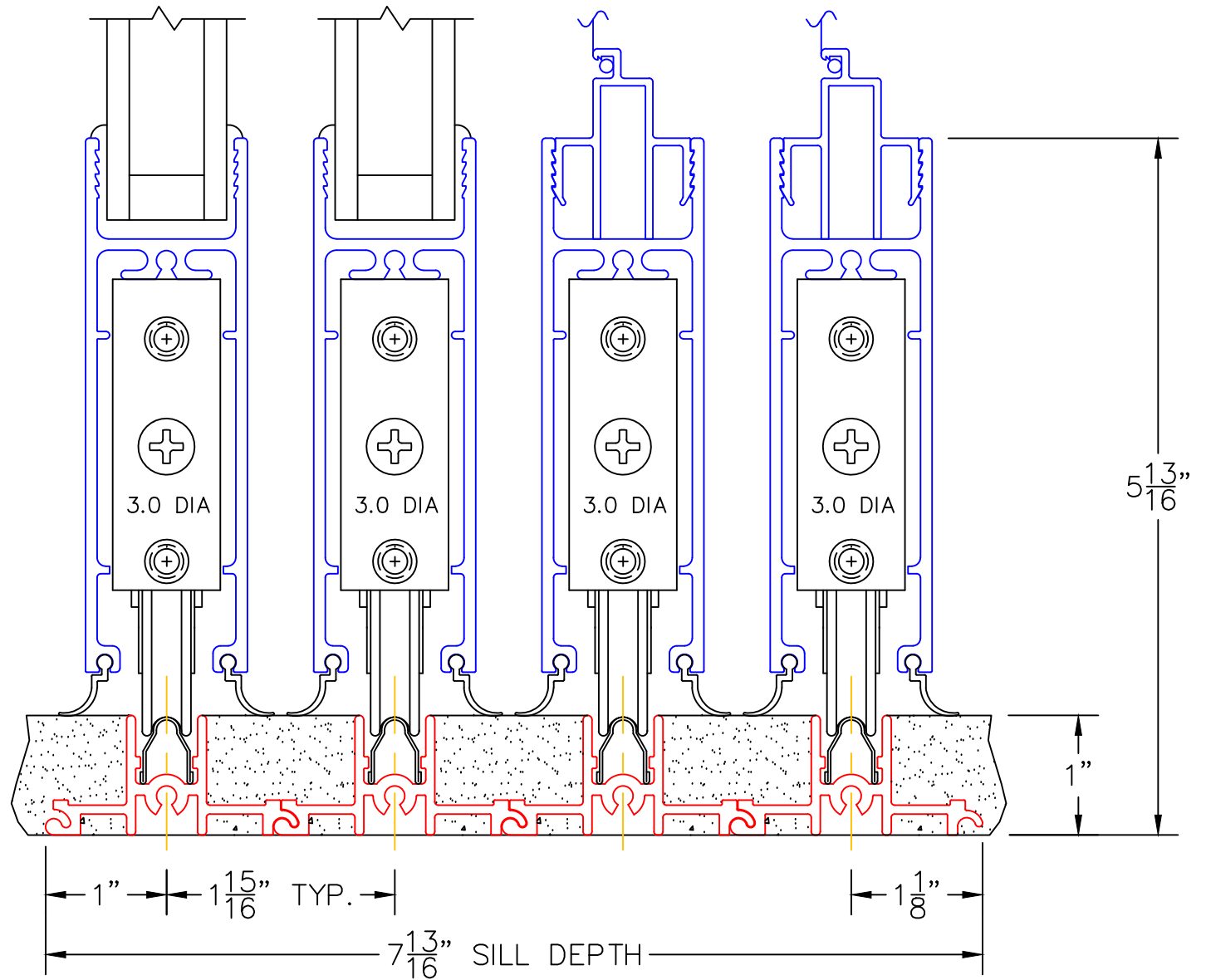
SCALE: 3/4

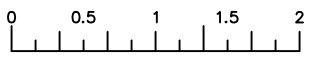
## PXX DOOR HIDDEN TRACK

EXTERIOR

2

MULTI-SLIDE  
SILL DETAIL





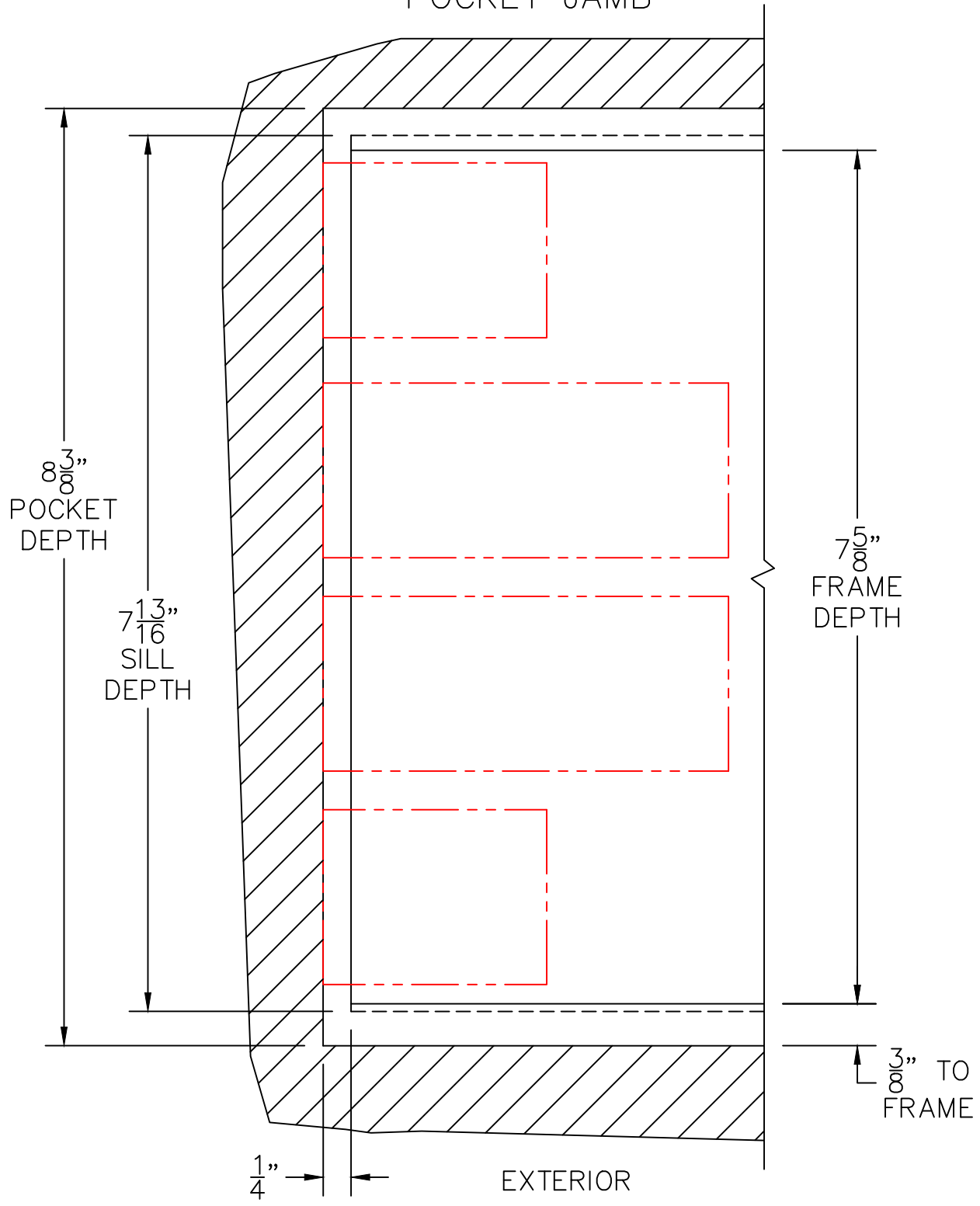
(USE RULER TO SCALE DIMENSIONS IN INCHES)

SCALE: 3/4

PX DOOR  
HIDDEN TRACK

3

POCKET JAMB

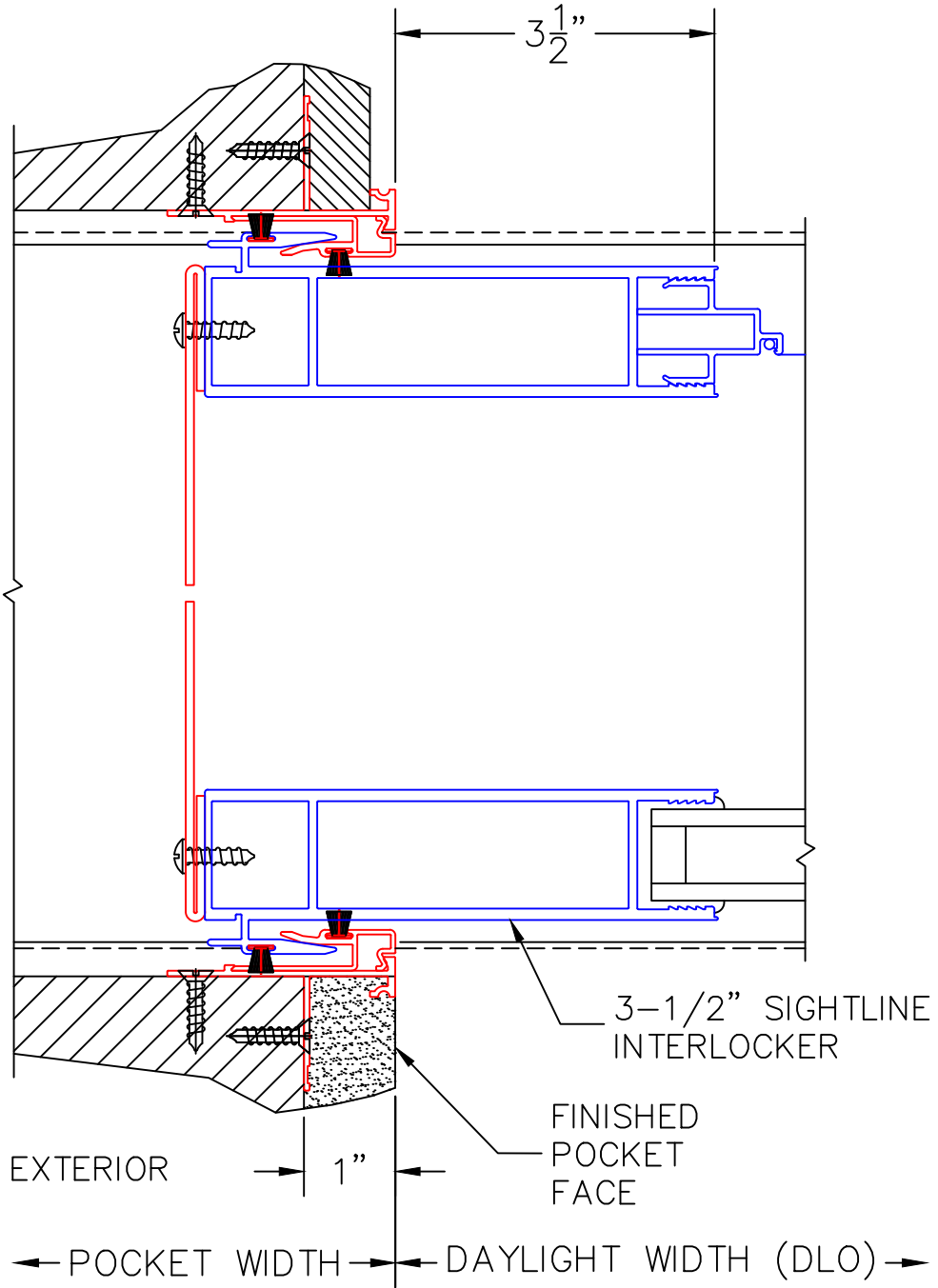


0 1 2  
(USE RULER TO SCALE DIMENSIONS IN INCHES)  
**SCALE: 1/2**

PXX DOOR  
HIDDEN TRACK

4

2-PIECE POCKET  
INTERLOCKER

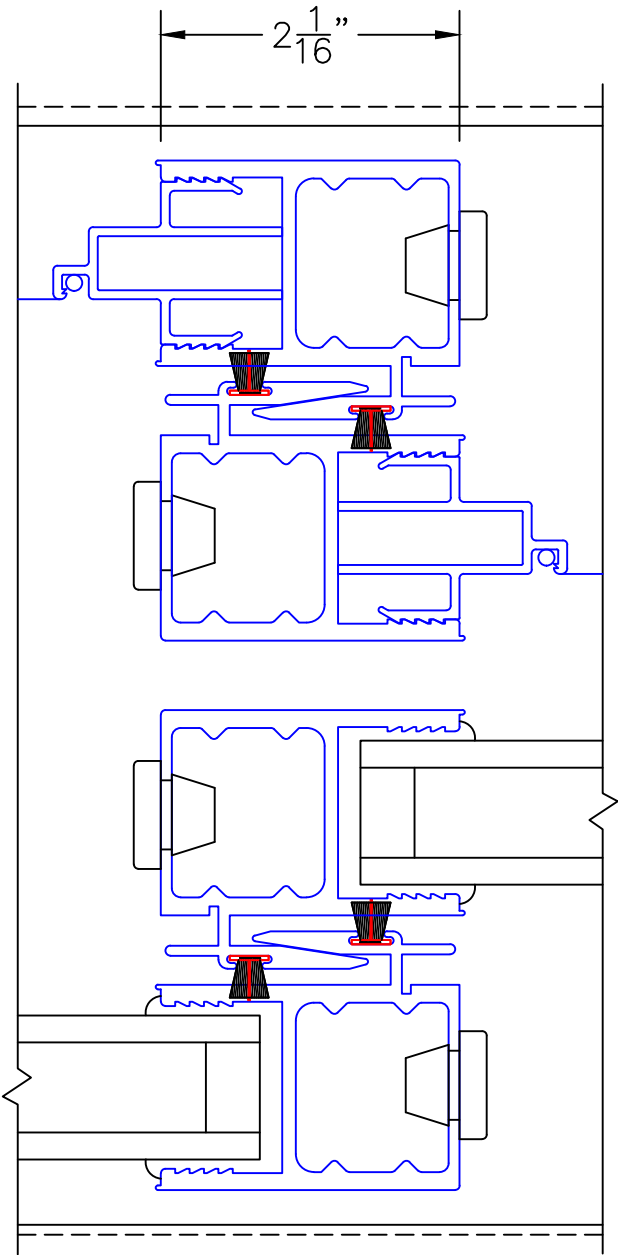


0 0.5 1  
(USE RULER TO SCALE DIMENSIONS IN INCHES)  
**SCALE: FULL**

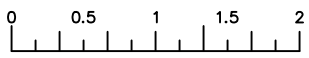
PXX DOOR  
HIDDEN TRACK

5

INTERLOCKERS



EXTERIOR



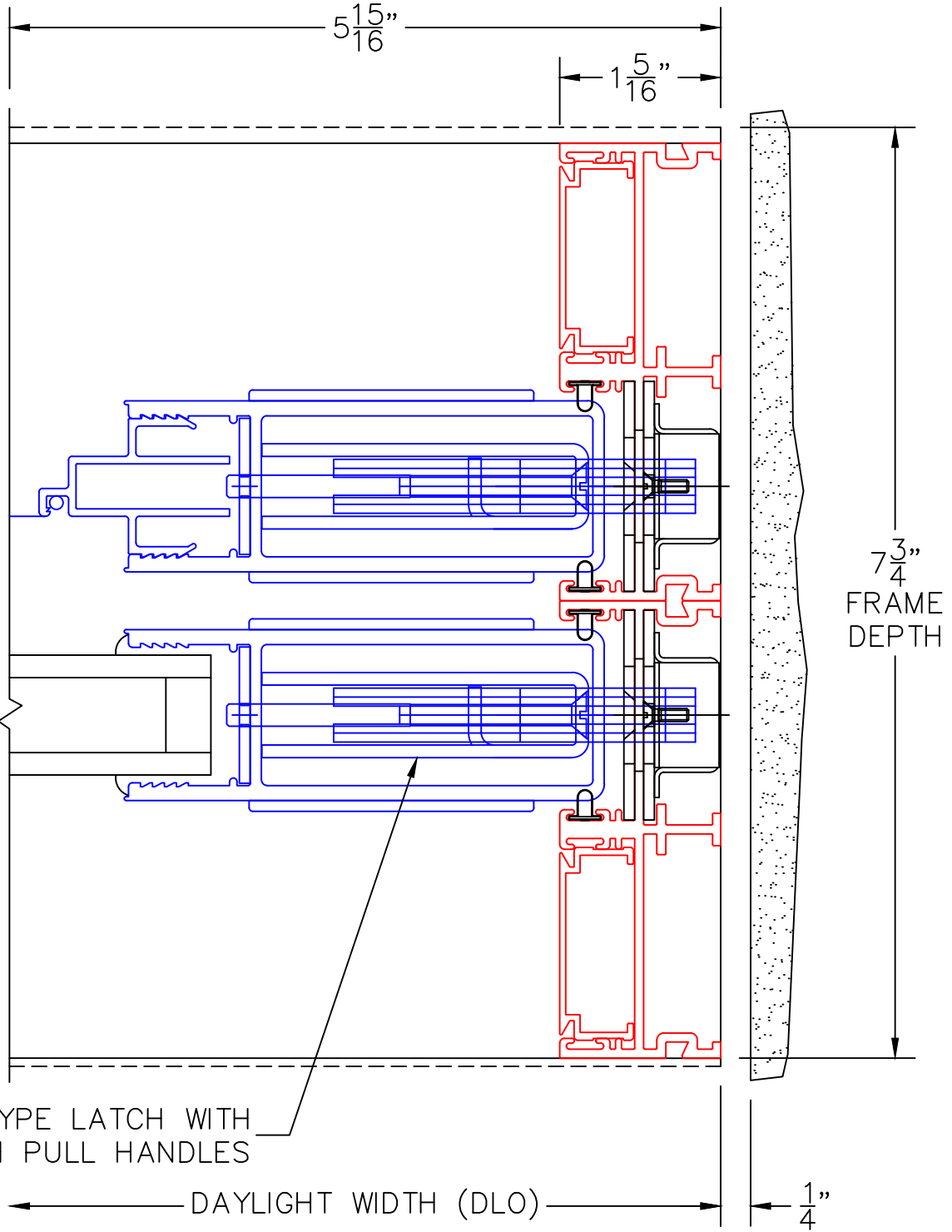
(USE RULER TO SCALE DIMENSIONS IN INCHES)

SCALE: 3/4

PXX DOOR  
HIDDEN TRACK

6

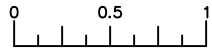
LOCK JAMB



ARCHETYPE LATCH WITH  
FLUSH PULL HANDLES

DAYLIGHT WIDTH (DLO)

EXTERIOR



(USE RULER TO SCALE DIMENSIONS IN INCHES)

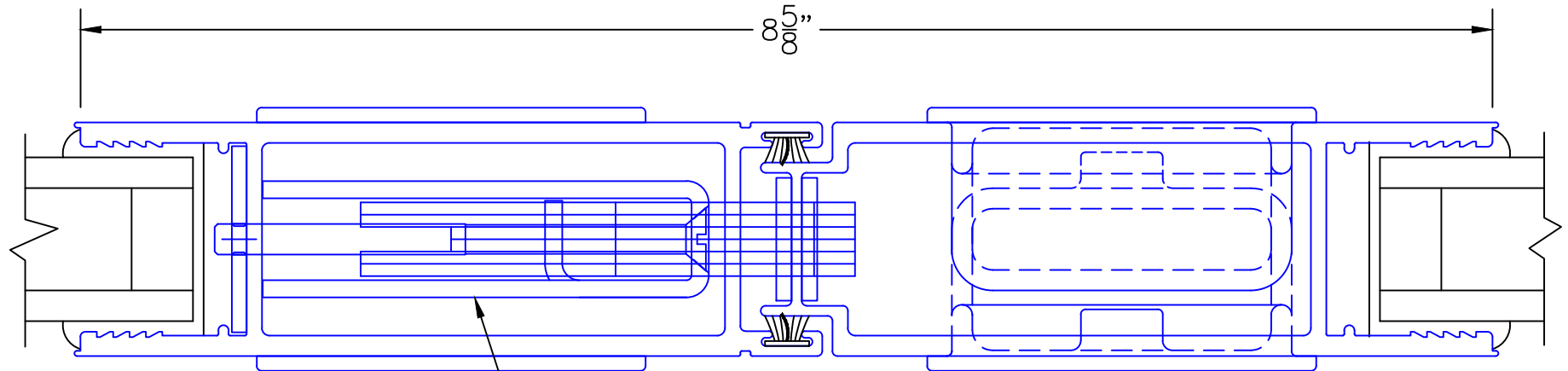
**SCALE: FULL**

PXIXP DOOR

7

MEETING STILES

85"



EXTERIOR

ARCHETYPE LATCH WITH  
FLUSH PULL HANDLES