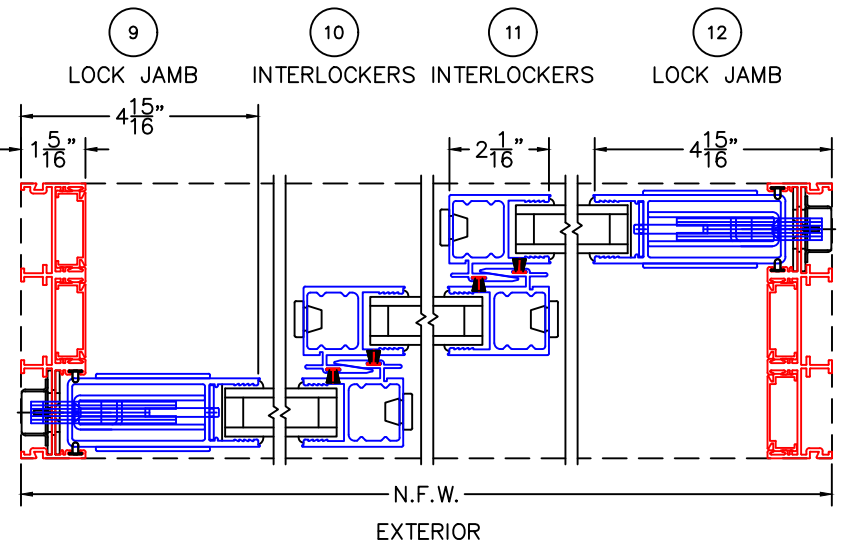
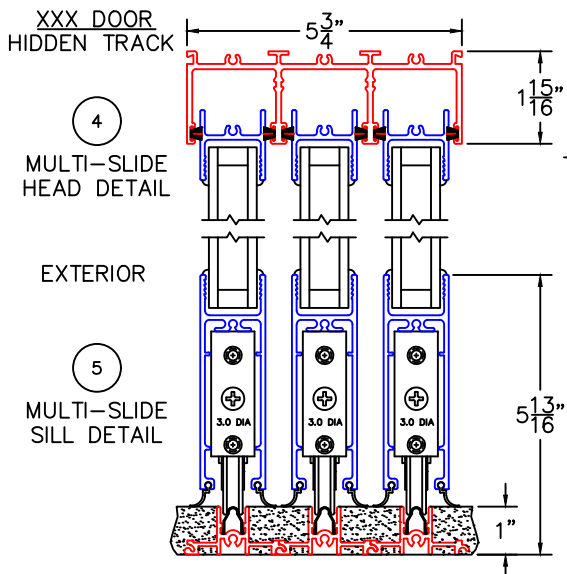
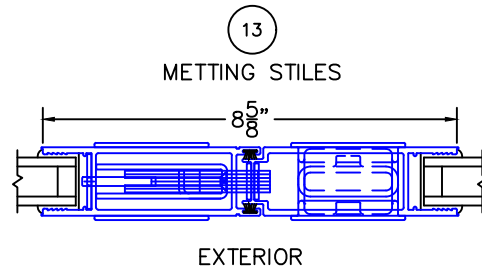
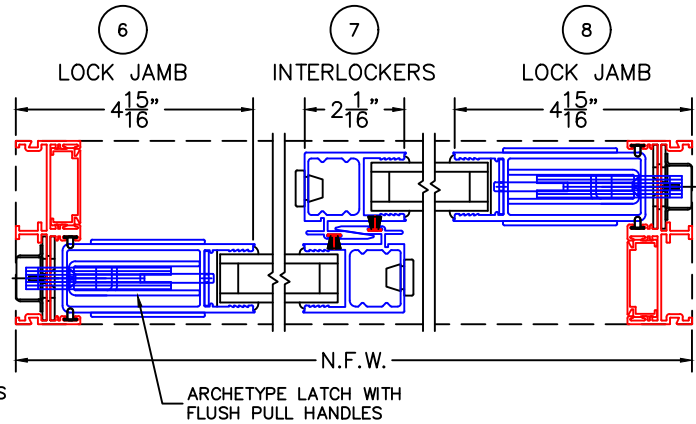
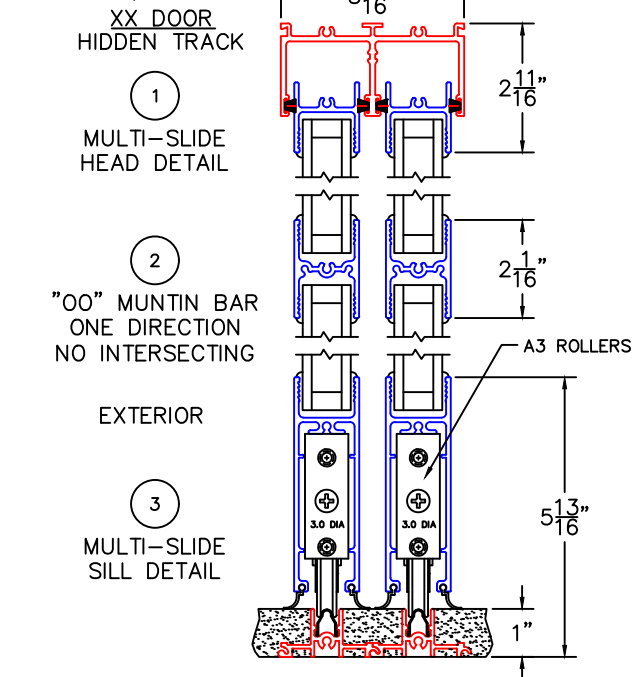


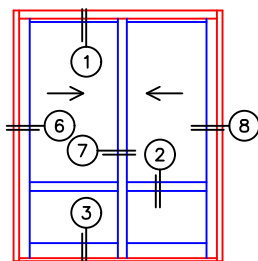
(USE RULER TO SCALE DIMENSIONS IN INCHES)

SCALE: 1/4"

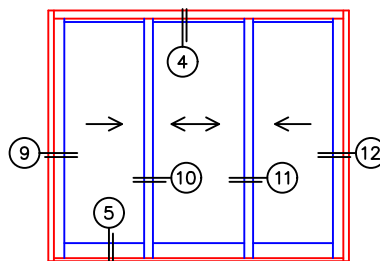
MULTI-SLIDE DOOR DETAILS



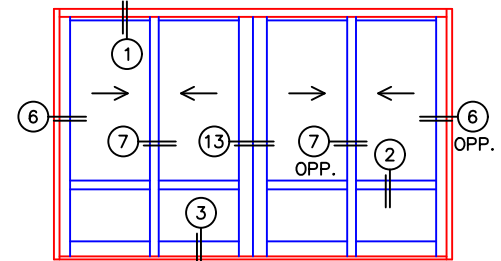
NOTE: CENTERLINES ARE NOT DIVIDED EQUALLY; CONFIRM CENTERLINES WHEN REQUIRED.



XX DOOR



XXX DOOR



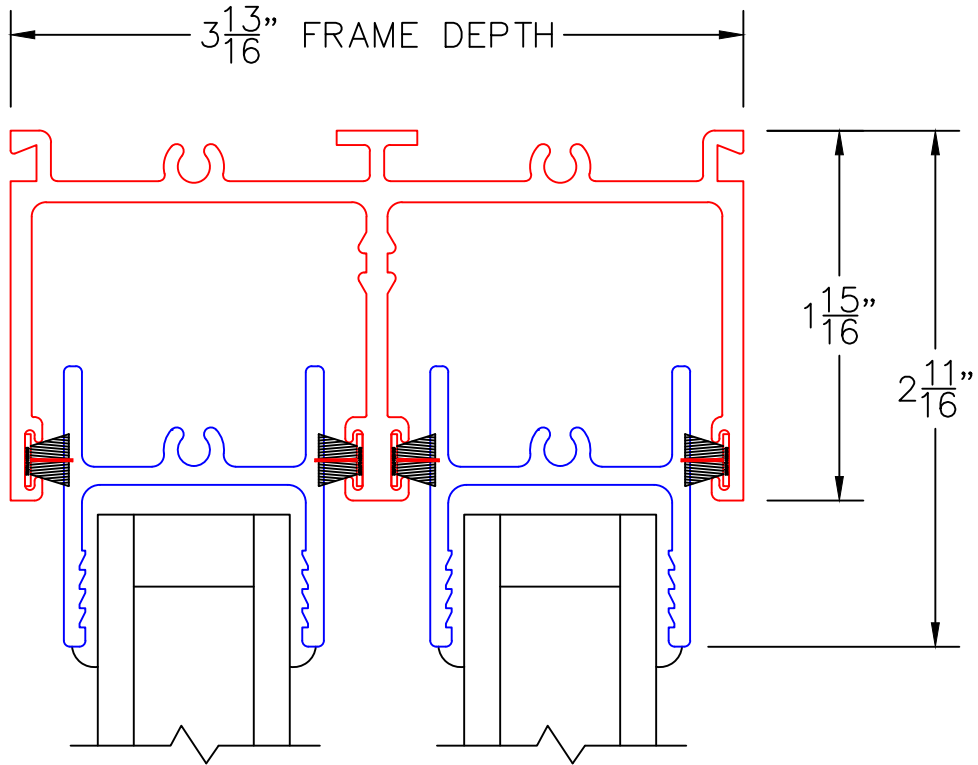
XXIXX DOOR

-GLASS PENETRATION: 11/16"  
-FOR ADDITIONAL OPTIONS AND UPGRADES  
SEE DRAWINGS 3050-08, 3050-09 & 3050-10.

0 0.5 1  
(USE RULER TO SCALE DIMENSIONS IN INCHES)  
**SCALE: FULL**

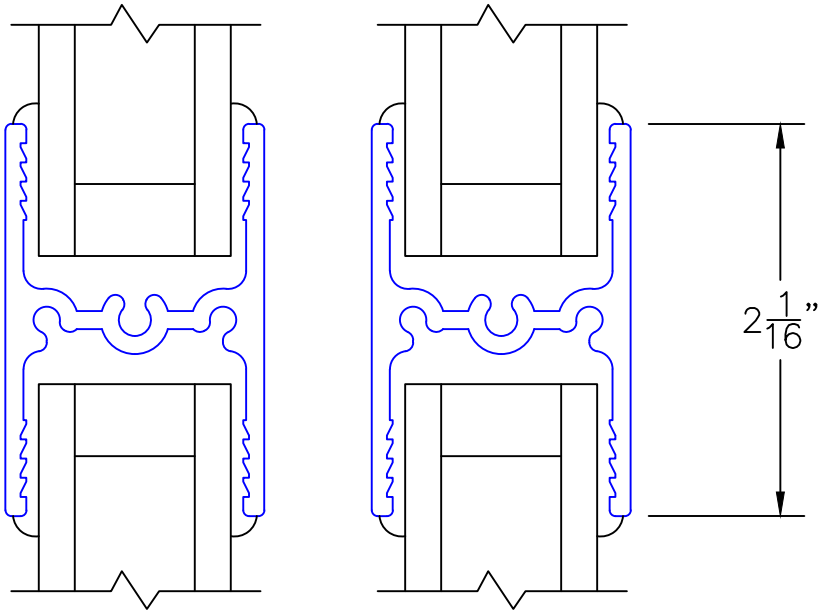
XX DOOR  
HIDDEN TRACK

①  
MULTI-SLIDE  
HEAD DETAIL



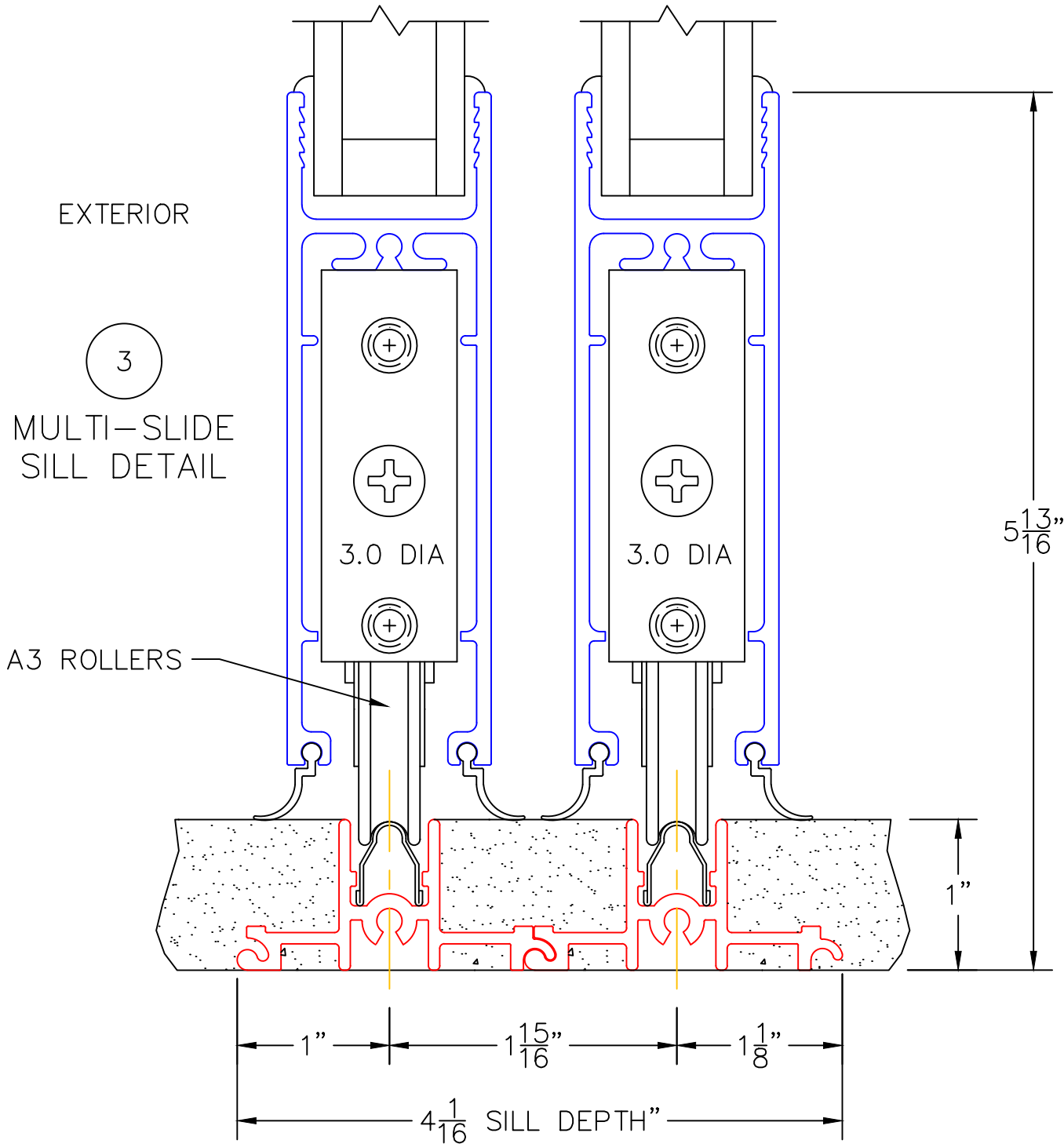
EXTERIOR

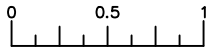
②  
"OO" MUNTIN BAR  
ONE DIRECTION  
NO INTERSECTING



0 0.5 1  
(USE RULER TO SCALE DIMENSIONS IN INCHES)  
**SCALE: FULL**

XX DOOR  
HIDDEN TRACK





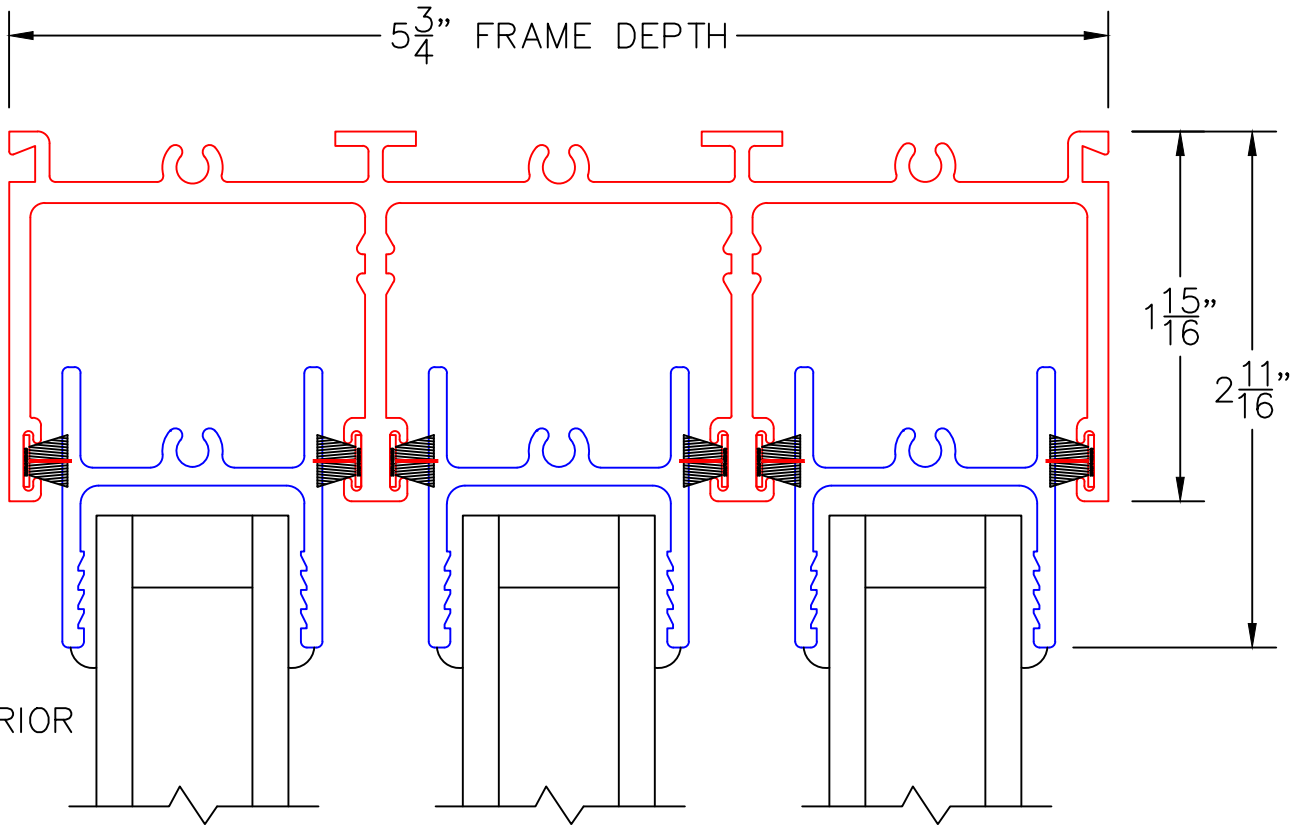
(USE RULER TO SCALE DIMENSIONS IN INCHES)

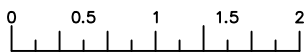
**SCALE: FULL**

XXX DOOR

4

MULTI-SLIDE  
HEAD DETAIL





(USE RULER TO SCALE DIMENSIONS IN INCHES)

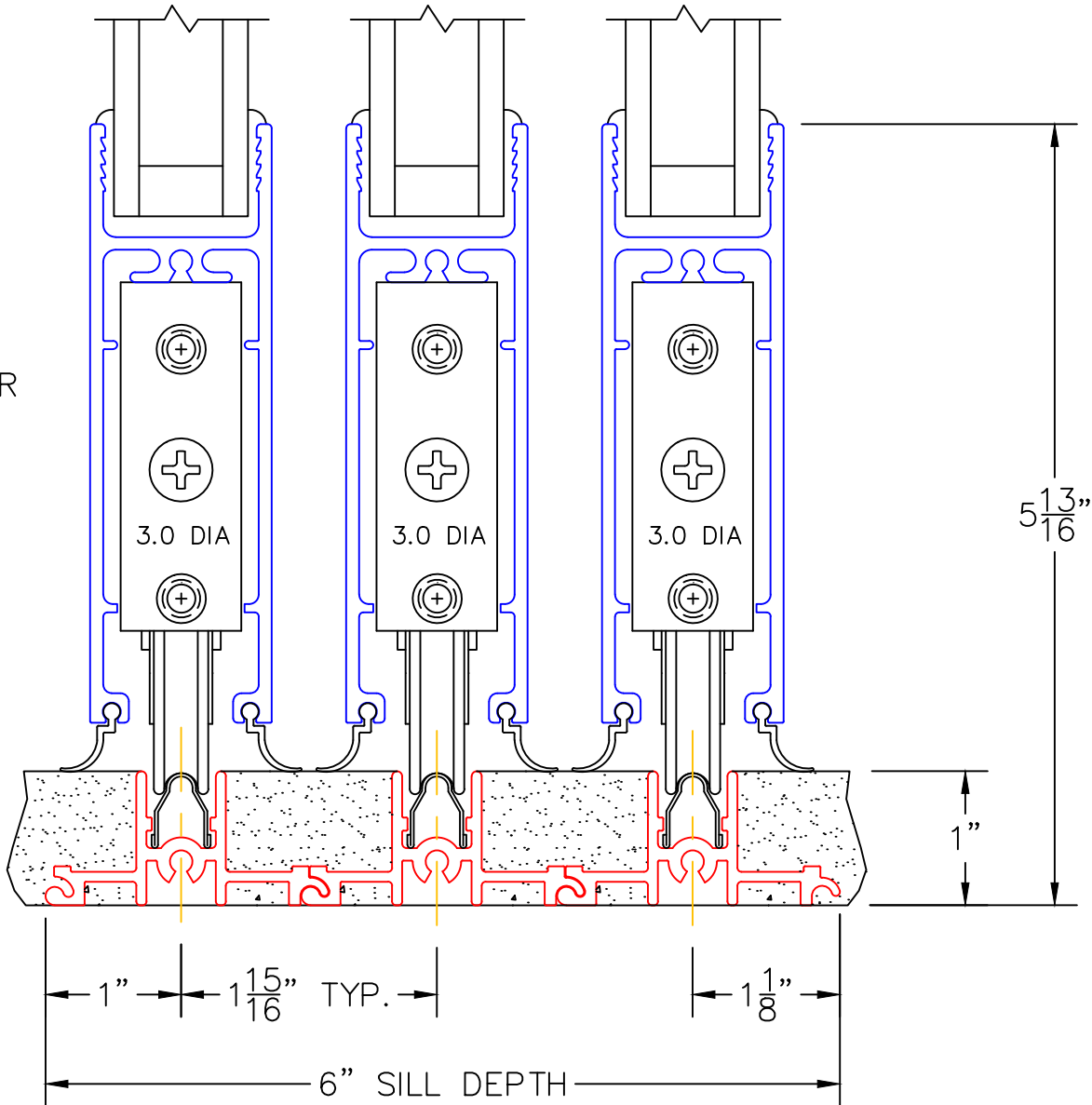
SCALE: 3/4

XXX DOOR  
HIDDEN TRACK

5

MULTI-SLIDE  
SILL DETAIL

EXTERIOR

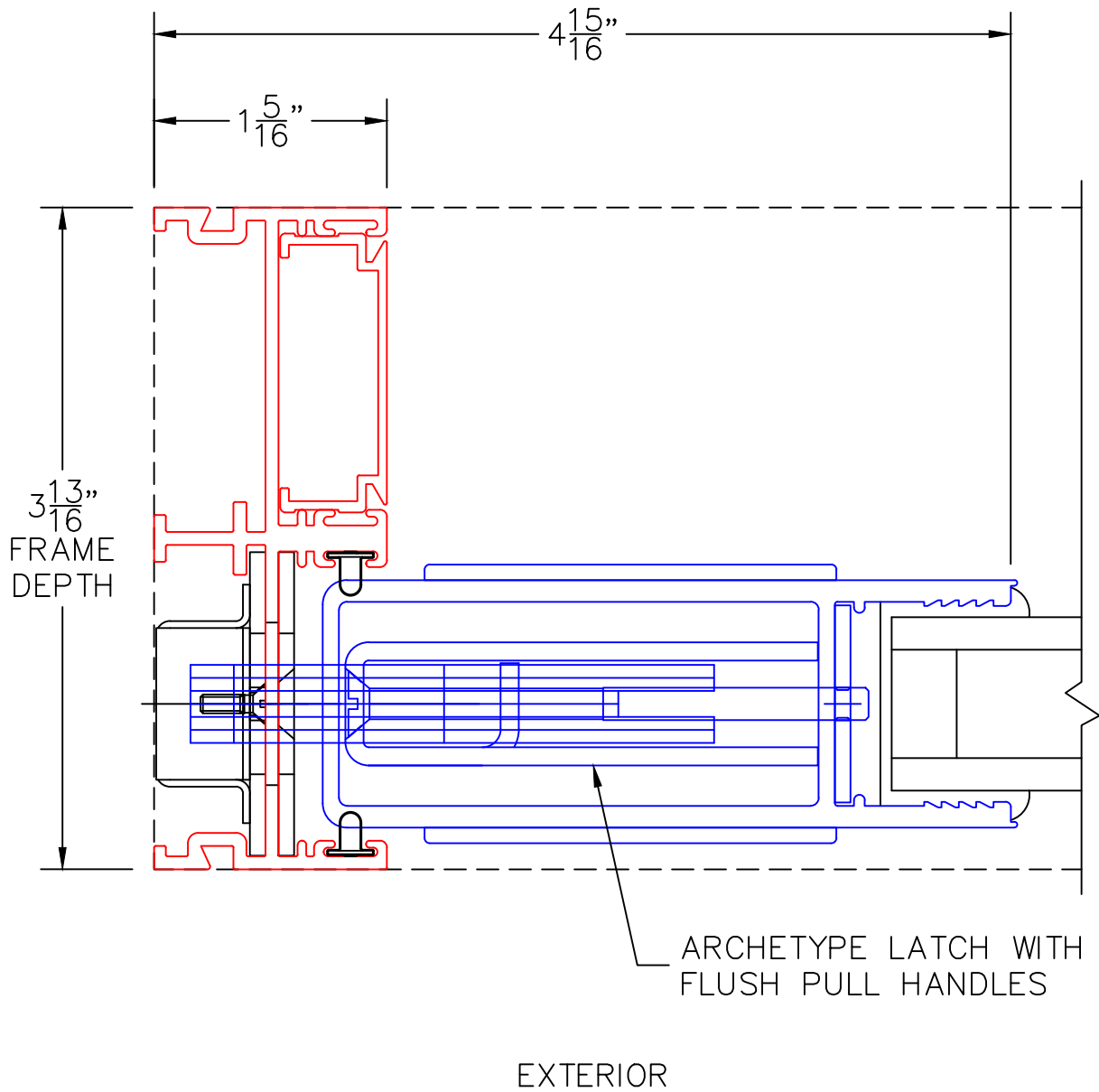


0 0.5 1  
(USE RULER TO SCALE DIMENSIONS IN INCHES)  
**SCALE: FULL**

XX DOOR  
HIDDEN TRACK

6

LOCK JAMB

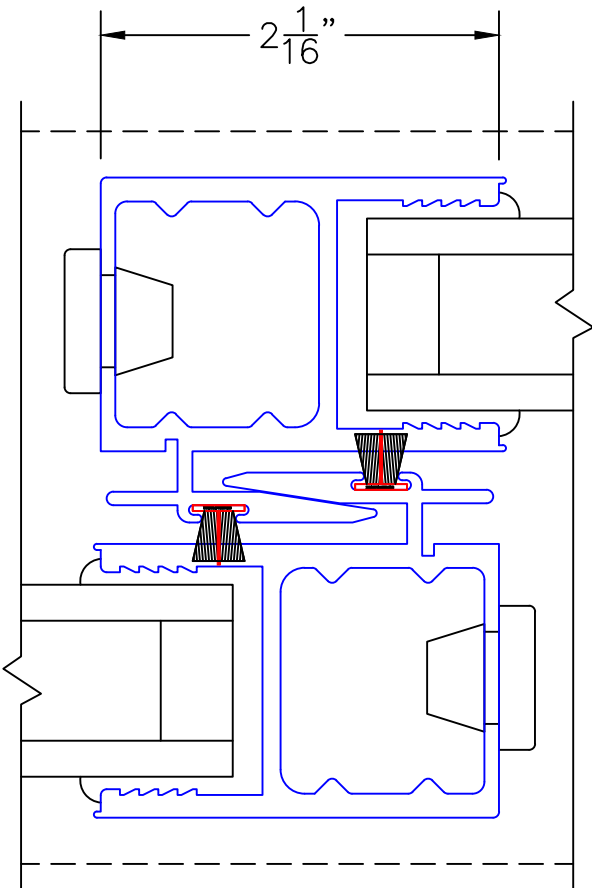


0 0.5 1  
(USE RULER TO SCALE DIMENSIONS IN INCHES)  
**SCALE: FULL**

XX DOOR  
HIDDEN TRACK

7

INTERLOCKERS



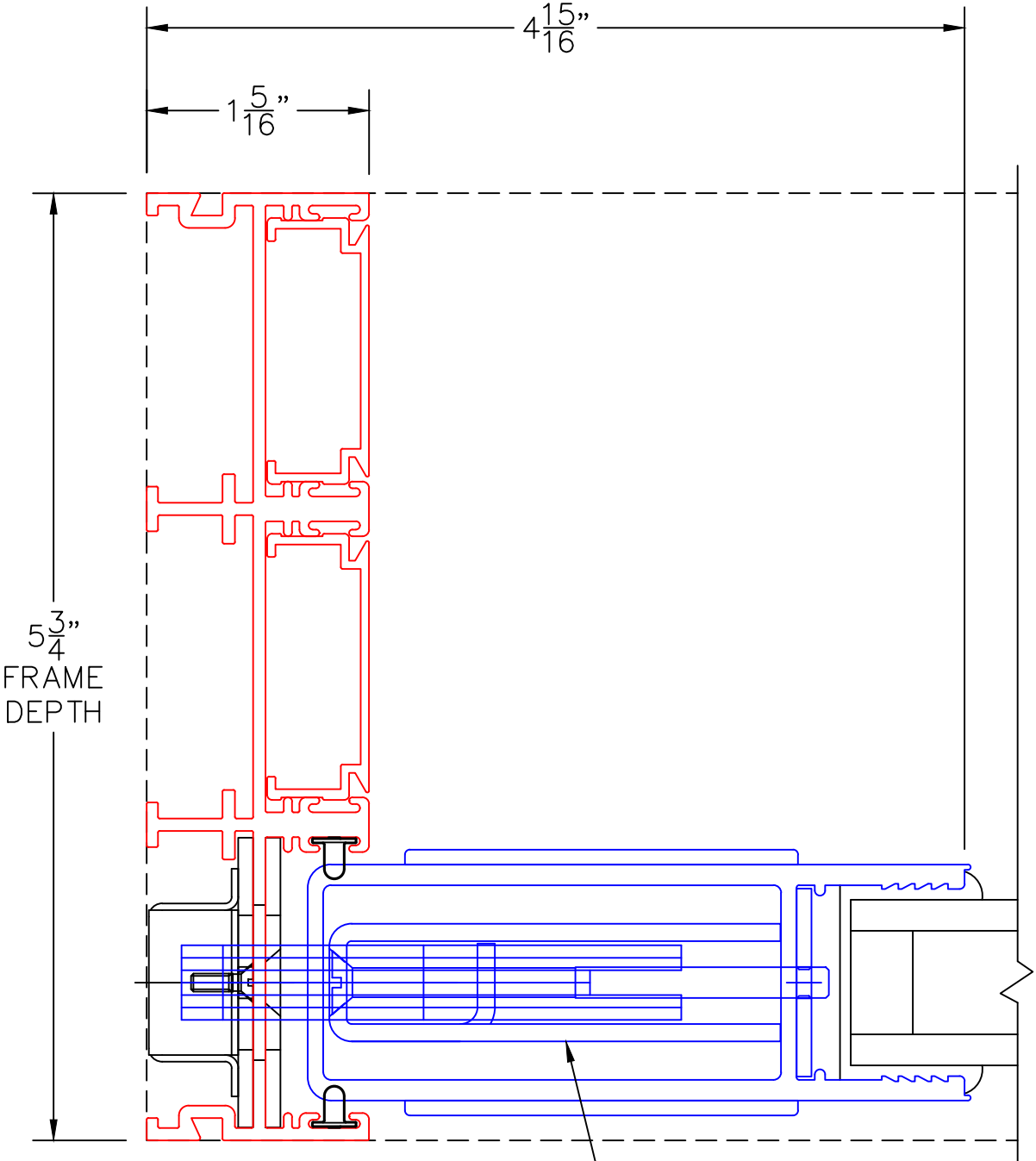
EXTERIOR

0 0.5 1  
(USE RULER TO SCALE DIMENSIONS IN INCHES)  
**SCALE: FULL**

XXX DOOR  
HIDDEN TRACK

9

LOCK JAMB



ARCHETYPE LATCH WITH  
FLUSH PULL HANDLES

EXTERIOR



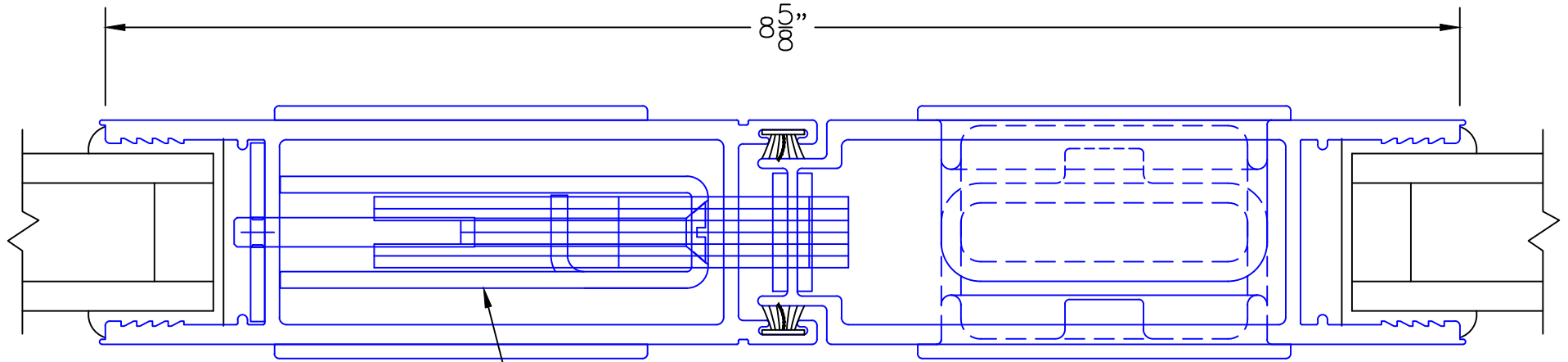
0 0.5 1  
(USE RULER TO SCALE DIMENSIONS IN INCHES)  
**SCALE: FULL**

XXIXX DOOR  
HIDDEN TRACK

13

MEETING STILES

85 5/8"



ARCHETYPE LATCH WITH  
FLUSH PULL HANDLES

EXTERIOR