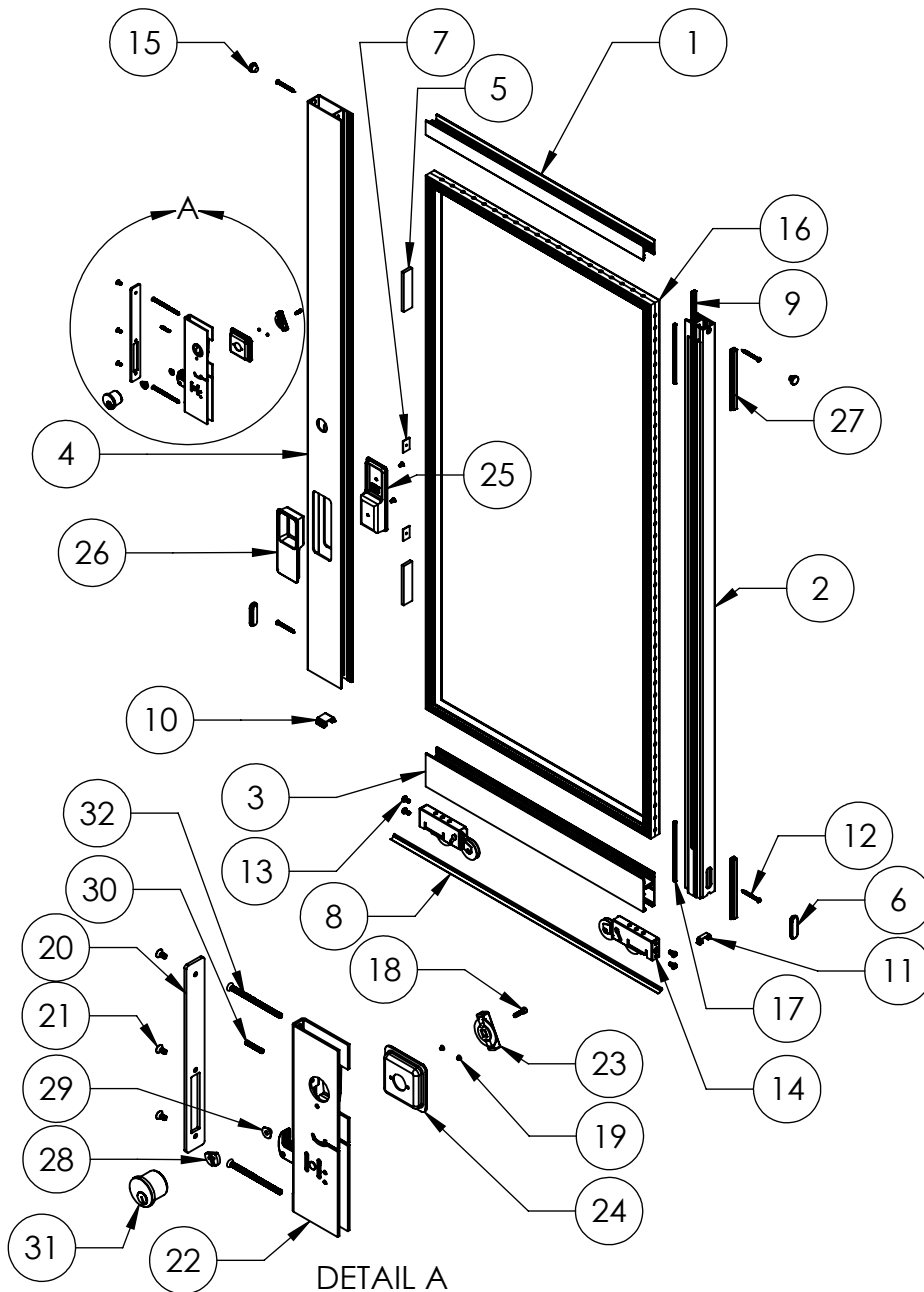




ASSEMBLY / PARTS LIST (B.O.M.)



DETAIL A

ITEM NO.	PART NUMBER	DESCRIPTION	QTY.
1	3004, 3009	Top Rail DG, Same as bottom rail	1
2	3006	Interlocker	1
3	3009	Sliding Bottom Rail / (/F1-FXD Rail) DG	1
4	3767	Extended Lock Stile	1
5	18620	Setting Block 4" x 1/4"x1"	2
6	18630	Oval Panel Plug	2
7	18671	Back Up Plate, No 10-32 .075 thk	2
8	19064	Sill, Wipe, Bottom Vinyl, BL-122	1
9	19117	Large Fin Seal (29027045bkqb)(7578)	1
10	19141	15/16" Bottom Vent Clip 3015 Weather Strip Insert (3779)	1
11	19142	3/8" Bottom Vent Clip 3015 Weather Strip Insert (3779)	1
12	20355	#10 PHP - A, 2', SS, Clear	4
13	20357	#1/4-20 PHP - B, 1/2', SS, Clear	4
14	20514	Precision Roller Assy	2
15	20635	Small Round Door Bumper	2
16	22909	1 Inch Vinyl	1
17	22927	Screen Spline .250 6"	2
18	24072, 24094	#6-32, Hex Socket Head Cap, Self Locking, 1/2", SS (Clear, Black)	1
19	24074	#4-40 FHP, UC, 1/8", SS, Clear	2
20	24075	Archetype Primary Latch(Face) Plate, Cover	1
21	24076	#8-32 FHS, 3/8" Long, Hex Countersunk Screw (Stainless Steel)	5
22	24077, 24070	Archetype Primary latch (XO, OX)	1
23	24079, 24766	Archetype Actuator (Black, SS)	1
24	24080, 24765, 24081, 24767	Archetype Actuator Pocket, (OX (Black, SS), XO (Black, SS))	1
25	24089, 24091	Archetype Handle, Inside, w/Gasket (SS, Blk)	1
26	24090, 24092	Archetype Handle, Outside, w/Gasket (SS, Blk)	1
27	24653	Air Barrier Standard Interlock 6"	2
28	24780	Cam - (for the Archetype Key Cylinder)	1
29	24781	Brass Bushing - Key Cylinder Reg. Arch.	1
30	24935	#8-32 x 1" Set Screw (Reg. arch. Cyl.)	1
31	25356, 24782	Archetype Keyed Cylinder (SS) (KA,KD) (with Cam/Bushing/Screw)	1
32	25729	#10-32 FHP, 3, SS, Clear	2

TITLE:
Series 3000 Assembly X Panel

DWG. NO.
Series_3000_Assembly_X_Panel

REV
B

DATE: 5/6/16

SHEET 1 OF 1

PROPRIETARY AND CONFIDENTIAL

THE INFORMATION CONTAINED IN THIS DRAWING IS THE SOLE PROPERTY OF FLEETWOOD WINDOWS & DOORS.
ANY REPRODUCTION IN PART OR AS A WHOLE WITHOUT THE WRITTEN PERMISSION OF FLEETWOOD WINDOWS & DOORS IS PROHIBITED.