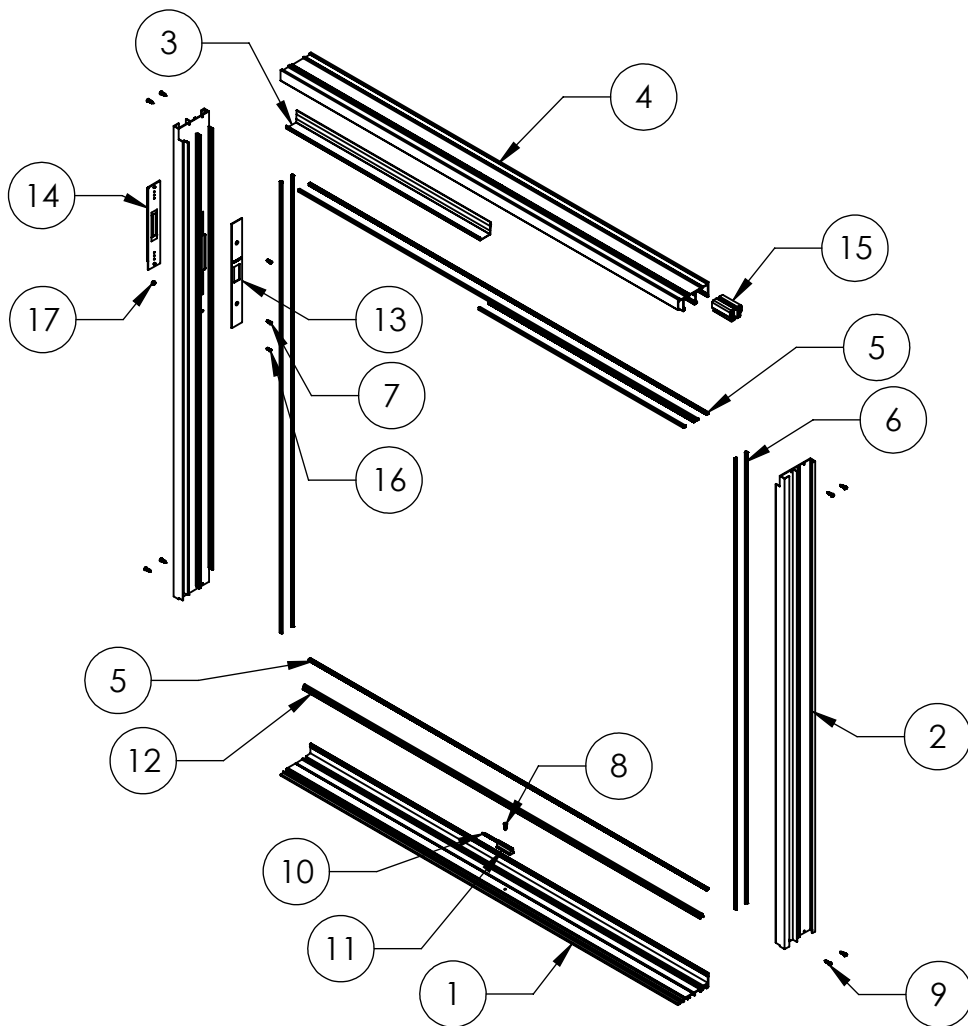


ASSEMBLY / PARTS LIST (B.O.M.)



ITEM NO.	PART NUMBER	DESCRIPTION	QTY.
1	3003	Block Sill	1
2	3001, 3012	4.5 Block Lock Jamb, Nail Fin Jamb	2
3	3011	Head Closer	1
4	3017, 3095NON	Block Head, Nail-on Head	1
5	19118	Small Fin Seal 23027045BKQB	5
6	19120	Q-Lon (U5212)	4
7	20278	#10-32 FHP-B-UC, 9/16", SS clear	2
8	20312	No 8-18 PH Self Tapping Screw, .750	1
9	20345	#10 PHP - A, 3/4", Zinc, Clear	8
10	20404	#10 OH - A, 2.5, Zinc,Gold	1
11	20502	Sill Block (M607, 20483)	1
12	23006	Stainless steel Track - 9/16" (Sliding Doors)	1
13	24067	Strike Plate	1
14	24068	Backup Plate (With Dust Cover)	1
15	24101	Bumper, Sliding Door Head Installation	1
16	25497	#8-32 FHP,UC, 1/2",SS	1
17	25498	#8-32 Nut with Nylon-Insert Hex Locknut,SS	1

TITLE: 3000 Frame XO Assembly	
DWG. NO. Series_3000_Assembly_XO _Frame	REV A
DATE: 1/26/16	SHEET 1 OF 1