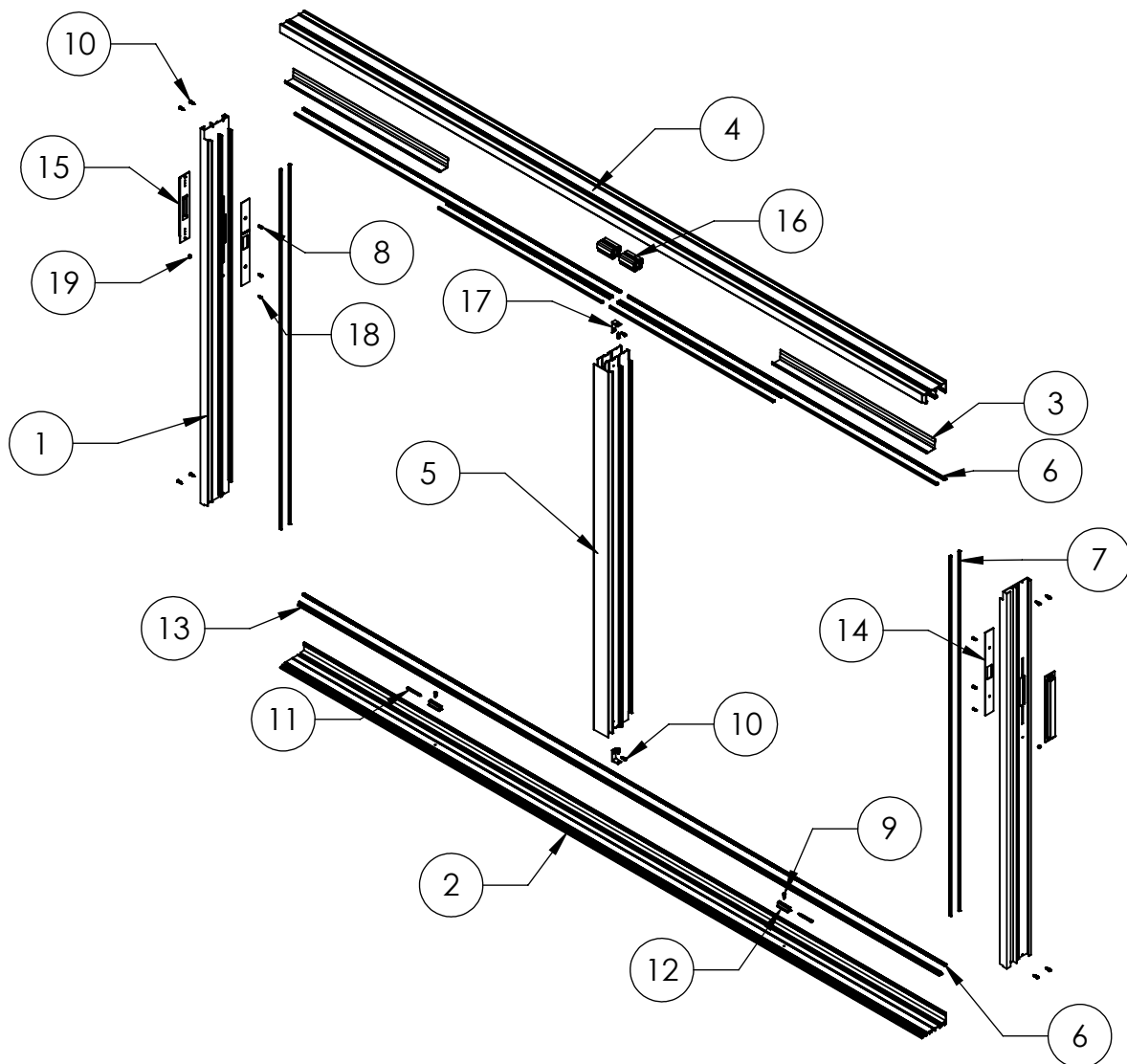


ASSEMBLY / PARTS LIST (B.O.M.)



ITEM NO.	PART NUMBER	DESCRIPTION	QTY.
1	3001, 3012	4.5 Block Lock Jamb, Nail Fin Jamb	2
2	3003	Block Sill	1
3	3011	Head Closer	2
4	3017, 3095NON	Block Head, Nail-on Head	1
5	3052	False Jamb	1
6	19118	Small Fin Seal 23027045BKQB	9
7	19120	Q-Lon (U5212)	8
8	20278	#10-32 FHP-B-UC, 9/16", SS clear	4
9	20312	No 8-18 PH Self Tapping Screw, .750	2
10	20345	#10 PHP - A, 3/4", Zinc, Clear	12
11	20404	#10 OH - A, 2.5, Zinc,Gold	2
12	20502	Sill Block (M607, 20483)	2
13	23006	Stainless steel Track - 9/16" (Sliding Doors)	1
14	24067	Strike Plate	2
15	24068	Backup Plate (With Dust Cover)	2
16	24101	Bumper, Sliding Door Head Installation	2
17	24904	L Clips w/2-hole, 0.625", Clear	2
18	25497	#8-32 FHP,UC, 1/2",SS	2
19	25498	#8-32 Nut with Nylon-Insert Hex Locknut,SS	2

TITLE:
Series 3000 Assembly XOOX Frame

DWG. NO.
Series_3000_Assembly_XOOX
_Frame

REV
A

DATE: 1/27/16

SHEET 1 OF 1

PROPRIETARY AND CONFIDENTIAL

THE INFORMATION CONTAINED IN THIS DRAWING IS THE SOLE PROPERTY OF FLEETWOOD WINDOWS & DOORS.
ANY REPRODUCTION IN PART OR AS A WHOLE WITHOUT THE WRITTEN PERMISSION OF FLEETWOOD WINDOWS & DOORS IS PROHIBITED.