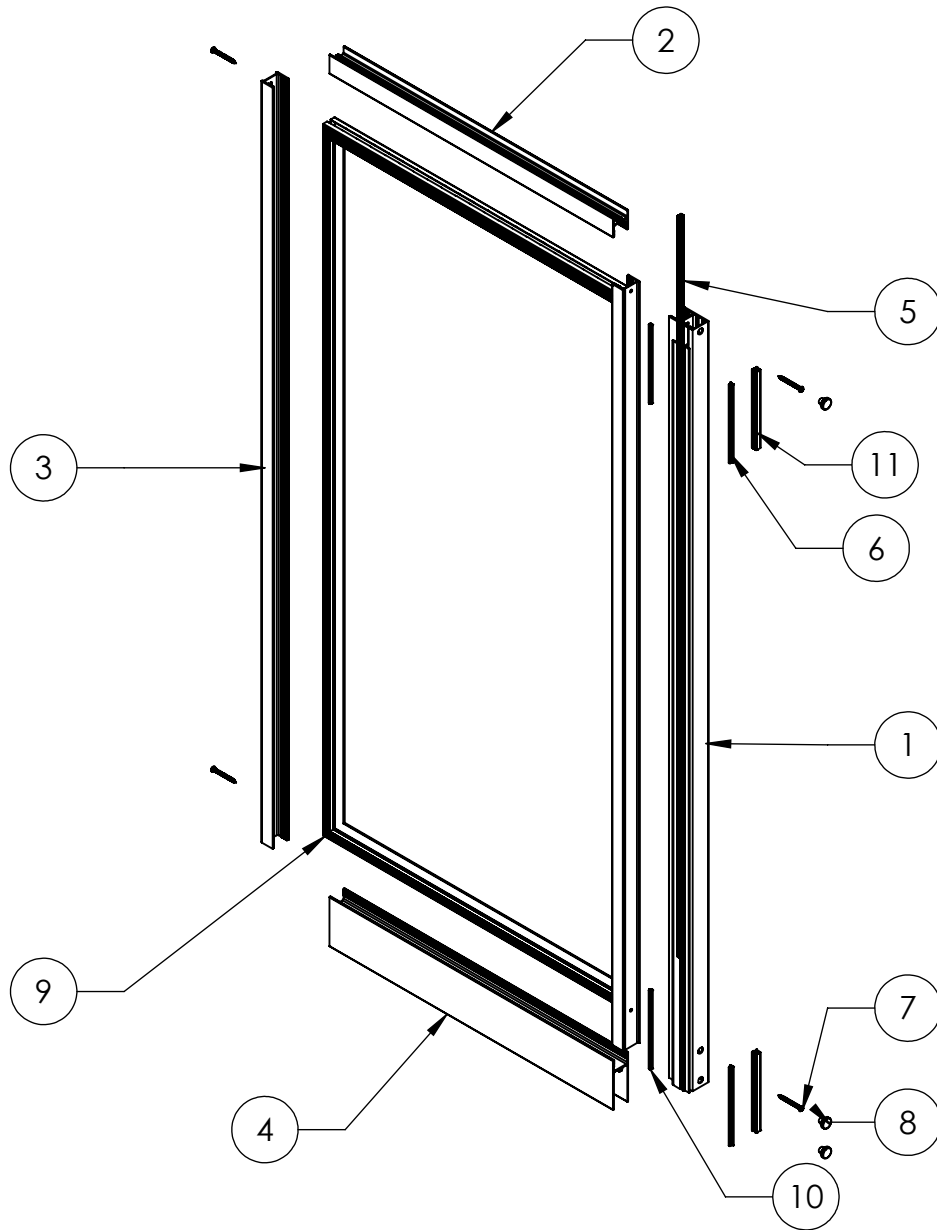




ASSEMBLY / PARTS LIST (B.O.M.)



ITEM NO.	PART NUMBER	DESCRIPTION	XO Fra me/ QTY.
1	3006	Interlocker	1
2	3004, 3009	Top Rail DG, Same as bottom rail	1
3	3008	Fixed Stile	2
4	3010	Fixed Bottom Rail	1
5	19117	Large Fin Seal (29027045bkqb)(7578)	1
6	19120	Q-Lon (U5212)	2
7	20355	#10 PHP - A, 2", SS, Clear	4
8	20635	Small Round Door Bumper	3
9	22909	1 Inch Vinyl	1
10	22927	Screen Spline .250 6"	2
11	24653	Air Barrier Standard Interlock 6"	2

PROPRIETARY AND CONFIDENTIAL

THE INFORMATION CONTAINED IN THIS DRAWING IS THE SOLE PROPERTY OF FLEETWOOD WINDOWS & DOORS.
ANY REPRODUCTION IN PART OR AS A WHOLE WITHOUT THE WRITTEN PERMISSION OF FLEETWOOD WINDOWS & DOORS IS PROHIBITED.

TITLE:
Series 3000 Assembly O Panel

DWG. NO.
Series_3000_Assembly_O_
Panel

REV
A

DATE: 1/20/16

SHEET 1 OF 1