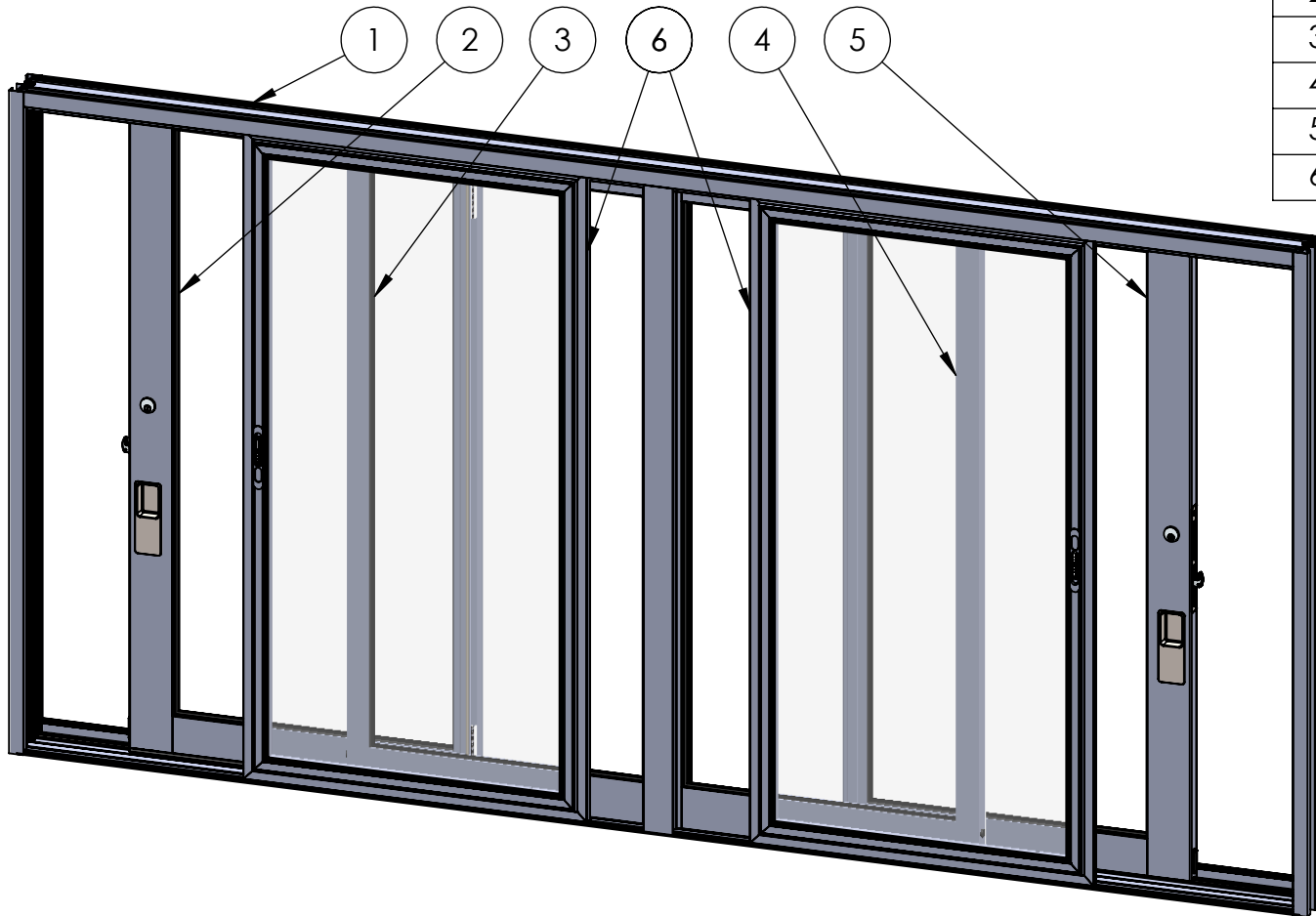


ASSEMBLY / PARTS LIST (B.O.M.)

Series: 3000
Type: XOOX Configuration with Screens

TABLE OF CONTENTS

ITEM NO.	PART NUMBER	QTY.	PAGE #
1	Frame Assembly	1	2-3
2	X Panel Assembly	1	4-5
3	O Panel Assembly	1	5-6
4	O Panel Assembly	1	4-5
5	X Panel Assembly	1	5-6
6	Screen Assembly	2	7

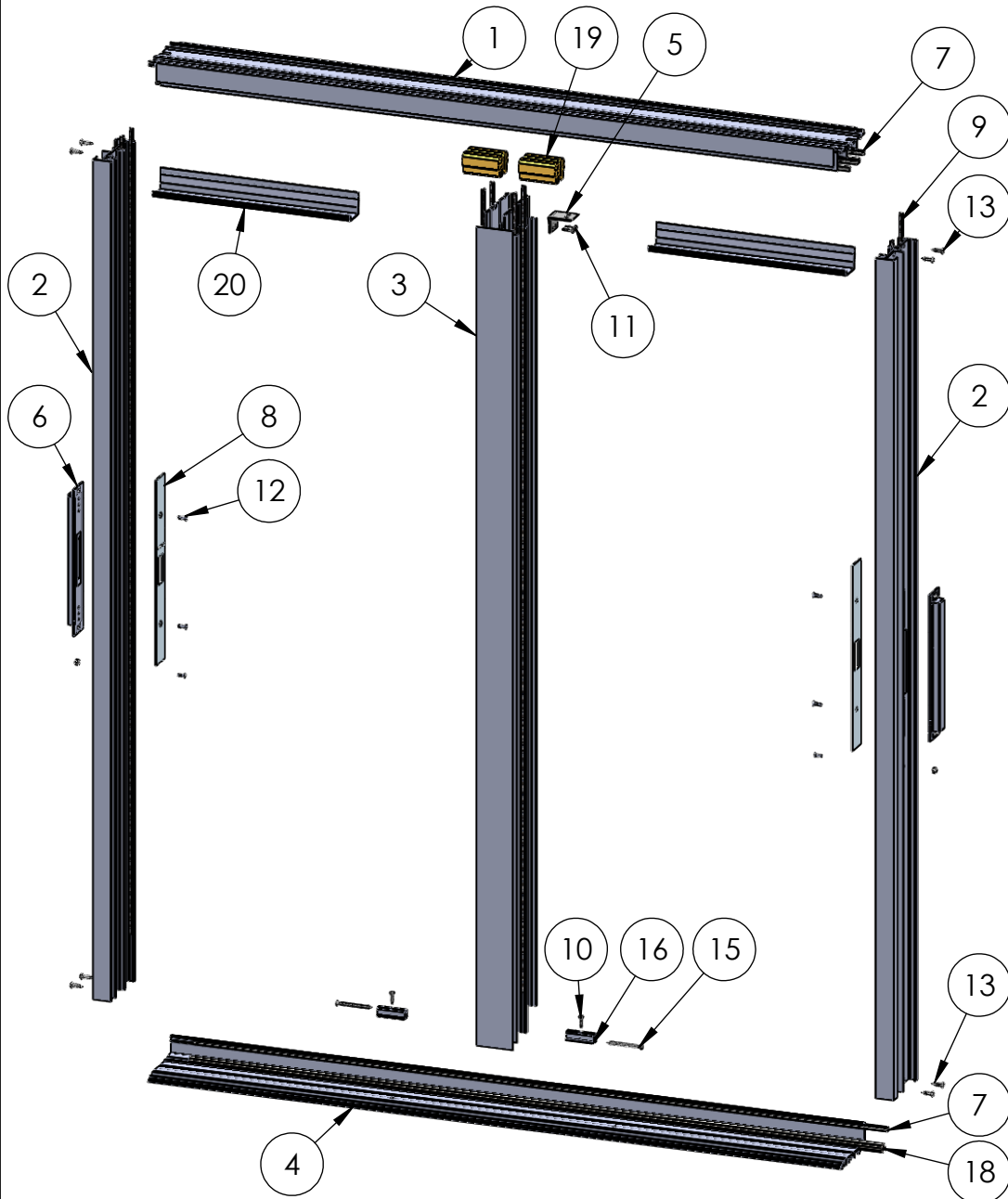


NOTES:

1. XOOX Configuration shown
2. Items 4 and 5 are mirror images of items 1 and 2. Part numbers are same.
3. Stacks Exterior for items 1 and 2.
4. Stacks Interior for items 4 and 5.

Description Table of Contents	
File Name Series 3000 XOOX Assembly	REV
Released 8/27/2018	SHEET 1 OF 7

ASSEMBLY / PARTS LIST (B.O.M.)



PROPRIETARY AND CONFIDENTIAL
 THE INFORMATION CONTAINED IN THIS DRAWING IS THE SOLE PROPERTY OF FLEETWOOD WINDOWS & DOORS.
 ANY REPRODUCTION IN PART OR AS A WHOLE WITHOUT THE WRITTEN PERMISSION OF FLEETWOOD WINDOWS & DOORS IS PROHIBITED.

Description		Frame Assembly
File Name	Series 3000 XOOX Assembly	REV
Released	8/27/2018	SHEET 2 OF 7

ASSEMBLY / PARTS LIST (B.O.M.)

EXTRUSIONS

ITEM NO.	PART NUMBER	DESCRIPTION	QTY.
1	3017, 3095	Head (Block, Nail-fin)	1
2	3001, 3012	Lock Jamb (Block, Nail-fin)	2
3	3052	False Jamb	1
4	3002, 3003, 3038	Sill (leg height 1.25", 1.88", 3.00")	1

HARDWARE

ITEM NO.	PART NUMBER	DESCRIPTION	QTY.
5	23007	L Clips with 4-hole, Clear	1
6	24068	Backup Plate (With Dust Cover)	2
7	19118	Small Fin Seal 23027045BKQB	5
8	24067	Strike Plate	2
9	19120	Q-Lon (U5212)	8
10	20312	#8 PHP-TEK Screw, .75 in	2
11	20312	#8 PHP-TEK Screw, .75	2
12	20278	#10-32 FHP-B-UC, 9/16", SS clear	4
13	20345	#10 PHP - A, 3/4", Zinc, Clear	8
14	25497	#8-32 FHP,UC, 1/2",SS	2
15	20404	#10 OH - A, 2.5, Zinc,Gold	2

HARDWARE

ITEM NO.	PART NUMBER	DESCRIPTION	QTY.
16	20502	Sill Block (M607, 20483)	2
17	25498	#8-32 Nut with Nylon-Insert Hex Locknut,SS	2
18	23006	Stainless steel Track	1
19	24101, 25350	Bumper, Sliding Door Head Installation (2.625", 4.625")	2
20	3011	Head Closer	2
21	3001, 3012	Lock Jamb (Block, Nail-fin)	1

Description

Frame B.O.M.

File Name

Series 3000 XOOX
Assembly

REV

Released

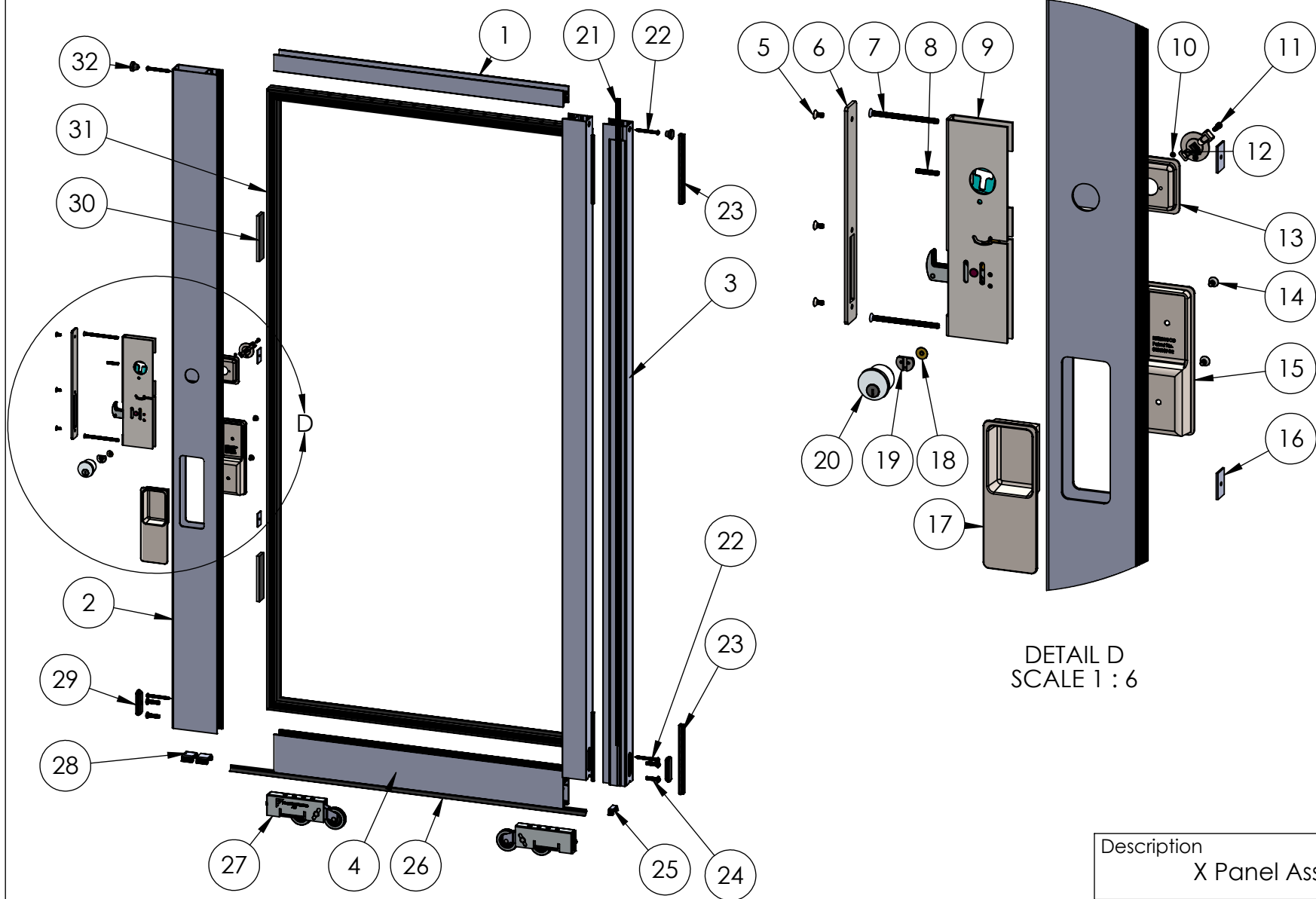
8/27/2018

SHEET 3 OF 7

PROPRIETARY AND CONFIDENTIAL

THE INFORMATION CONTAINED IN THIS DRAWING IS THE SOLE PROPERTY OF FLEETWOOD WINDOWS & DOORS.
ANY REPRODUCTION IN PART OR AS A WHOLE WITHOUT THE WRITTEN PERMISSION OF FLEETWOOD WINDOWS & DOORS IS PROHIBITED.

ASSEMBLY / PARTS LIST (B.O.M.)



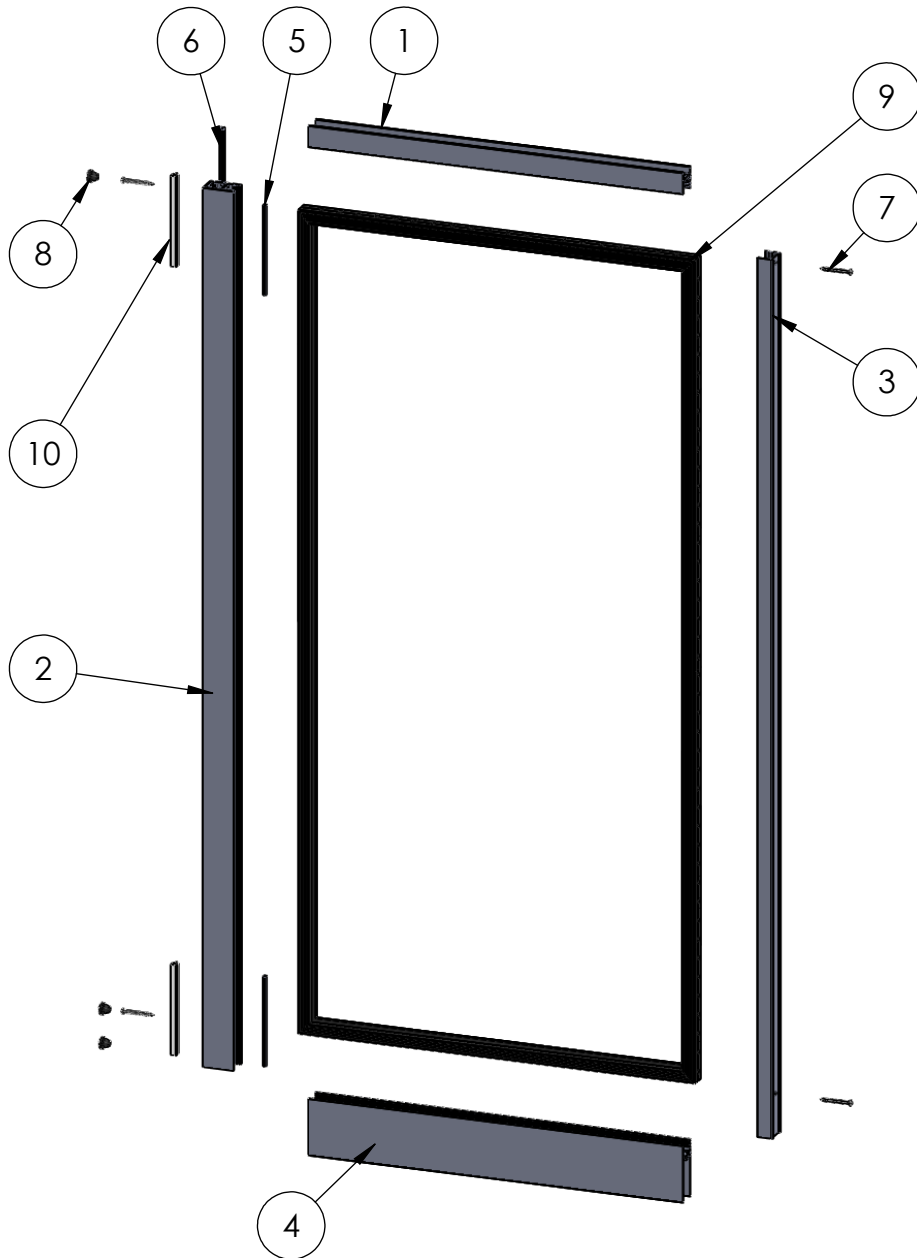
PROPRIETARY AND CONFIDENTIAL
 THE INFORMATION CONTAINED IN THIS DRAWING IS THE SOLE PROPERTY OF FLEETWOOD WINDOWS & DOORS.
 ANY REPRODUCTION IN PART OR AS A WHOLE WITHOUT THE WRITTEN PERMISSION OF FLEETWOOD WINDOWS & DOORS IS PROHIBITED.

Description X Panel Assembly	
File Name Series 3000 XOOX Assembly	REV
Released 8/27/2018	SHEET 4 OF 7

ASSEMBLY / PARTS LIST (B.O.M.)

EXTRUSIONS				HARDWARE			
ITEM NO.	PART NUMBER	DESCRIPTION	Stacks Exterior/ QTY.	ITEM NO.	PART NUMBER	DESCRIPTION	Stacks Exterior/ QTY.
1	3004, 3009	Top Rail DG, Same as bottom rail	1	17	24090, 24092	24090,24091, Archetype Handle, Outside, w/Gasket (SS, Blk)	1
2	3767	Archetype Lock Stile	1	18	24781	Archetype Cam Bushing	1
3	3006	Interlocker	1	19	24780	Key Cylinder Cam	1
4	3009	Bottom Rail	1	20	25356, 24782	Archetype Keyed Cylinder (SS) (KA,KD) (with Cam/Bushing/Screw)	1
HARDWARE				21	19117	Large Fin Seal	1
ITEM NO.	PART NUMBER	DESCRIPTION	QTY.	22	20350	No. 10 Screw, PHP 1 in.	4
5	24076	#8-32 FHS Hex Screw, 3/8" in. (SS)	3	23	24653	Air Barrier Standard Interlock	2
6	24075	Archetype Latch Faceplate	1	24	20359	#1/4-20 PHP - B, 1", SS, Clear	4
7	25729	#10-32 FHP, 3, SS, Clear	2	25	19142	Bottom Vent Clip (small)	1
8	24935	#8-32 x 1" Set Screw	1	26	19064	Sill Wipe, Bottom Vinyl	1
9	24070, 24077	Archetype Latch (OX, XO)	1	27	20514	A2 Roller Assembly	2
10	24074	#4-40 FHP, UC, 1/8", SS, Clear	2	28	19141	Bottom Vent Clip (Large)	2
11	24072, 24094	#6-32, Hex Socket Head Cap, Self Locking, 1/2", SS (Clear, Black)	1	29	18630	Oval Plug- Short	2
12	24079, 24766	Archetype Actuator (Black, SS)	1	30	18620	Setting Block 4" x 1/4"x1"	2
13	24080, 24765, 24081, 24767	Archetype Actuator Pocket, [OX (Black, SS), XO (Black, SS)]	1	31	22909	1 Inch Vinyl	1
14	24087, 24093	#10-32 FHS Screw, 0.375 in (SS, Black)	2	32	20635	Small Round Door Bumper	2
15	24089, 24091	Archetype Handle, Inside (SS, Blk)	1	33	22927	Screen Spline .250 6"	2
16	18671	Back Up Plate	2	34	3006, Sliding Interlocker Fabrication	Interlocker	1
<p>PROPRIETARY AND CONFIDENTIAL THE INFORMATION CONTAINED IN THIS DRAWING IS THE SOLE PROPERTY OF FLEETWOOD WINDOWS & DOORS. ANY REPRODUCTION IN PART OR AS A WHOLE WITHOUT THE WRITTEN PERMISSION OF FLEETWOOD WINDOWS & DOORS IS PROHIBITED.</p>				Description		X Panel B.O.M.	
				File Name		REV	
				Series 3000 XOOX Assembly			
Released		8/27/2018		SHEET 5 OF 7			

ASSEMBLY / PARTS LIST (B.O.M.)



EXTRUSIONS

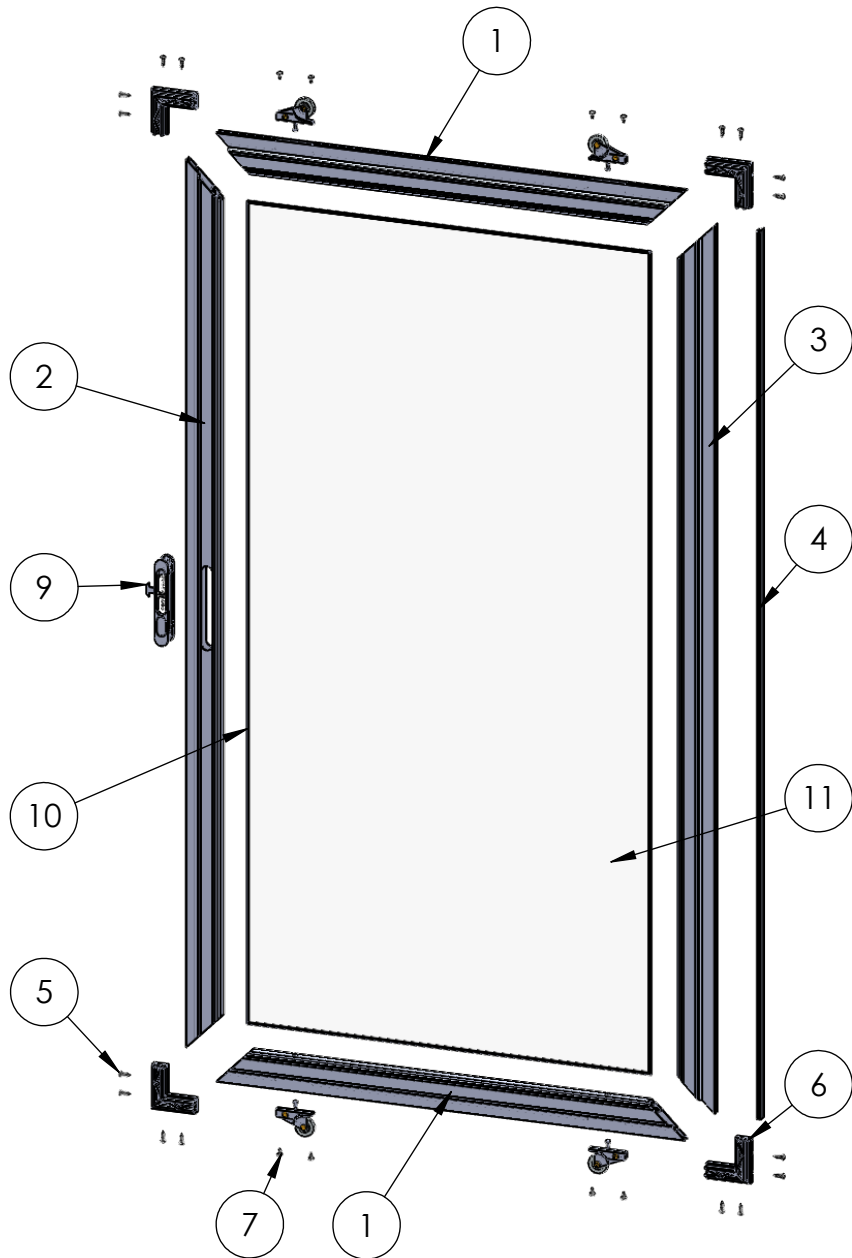
ITEM NO.	PART NUMBER	DESCRIPTION	QTY.
1	3004	Top Rail DG	1
2	3006	Interlocker	1
3	3008	Fixed Stile	1
4	3010	Fixed Bottom Rail	1

Hardware

ITEM NO.	PART NUMBER	DESCRIPTION	QTY.
5	22927	Screen Spline .250 6"	2
6	19117	Large Fin Seal	1
7	20350	No. 10 Screw, PHP 1 in.	4
8	20635	Small Round Door Bumper	3
9	22909	1 Inch Vinyl	1
10	24653	Air Barrier Standard Interlock	2

Description		O Panel	
File Name		Series 3000 XOOX Assembly	REV
Released	8/27/2018	SHEET 6 OF 7	

ASSEMBLY / PARTS LIST (B.O.M.)



EXTRUSIONS

ITEM NO.	PART NUMBER	DESCRIPTION	QTY.
1	145	Top / Bottom Screen	2
2	145	Screen Stile	1
3	145	Screen Stile	1

HARDWARE

ITEM NO.	PART NUMBER	DESCRIPTION	QTY.
4	20531	Bug wipe screen	1
5	20955	#8 PHP - A, 5/8, SS, Clear	16
6	20489	Screen Corner Door B1240	4
7	20225	#6 PHP - TEK, 3/8", SS, Clear	8
8	22905	Screen Roller	4
9	20474	Screen Handle	1
10	19130	Screen Rubber Spline .160	1
11	-	Screen Mesh	1

Description
Screen Assembly

File Name
Series 3000 XOOX
Assembly

REV

Released 8/27/2018 SHEET 7 OF 7