

ASSEMBLY / PARTS LIST (B.O.M.)

Series: 3000
Type: XOO Configuration with Screen

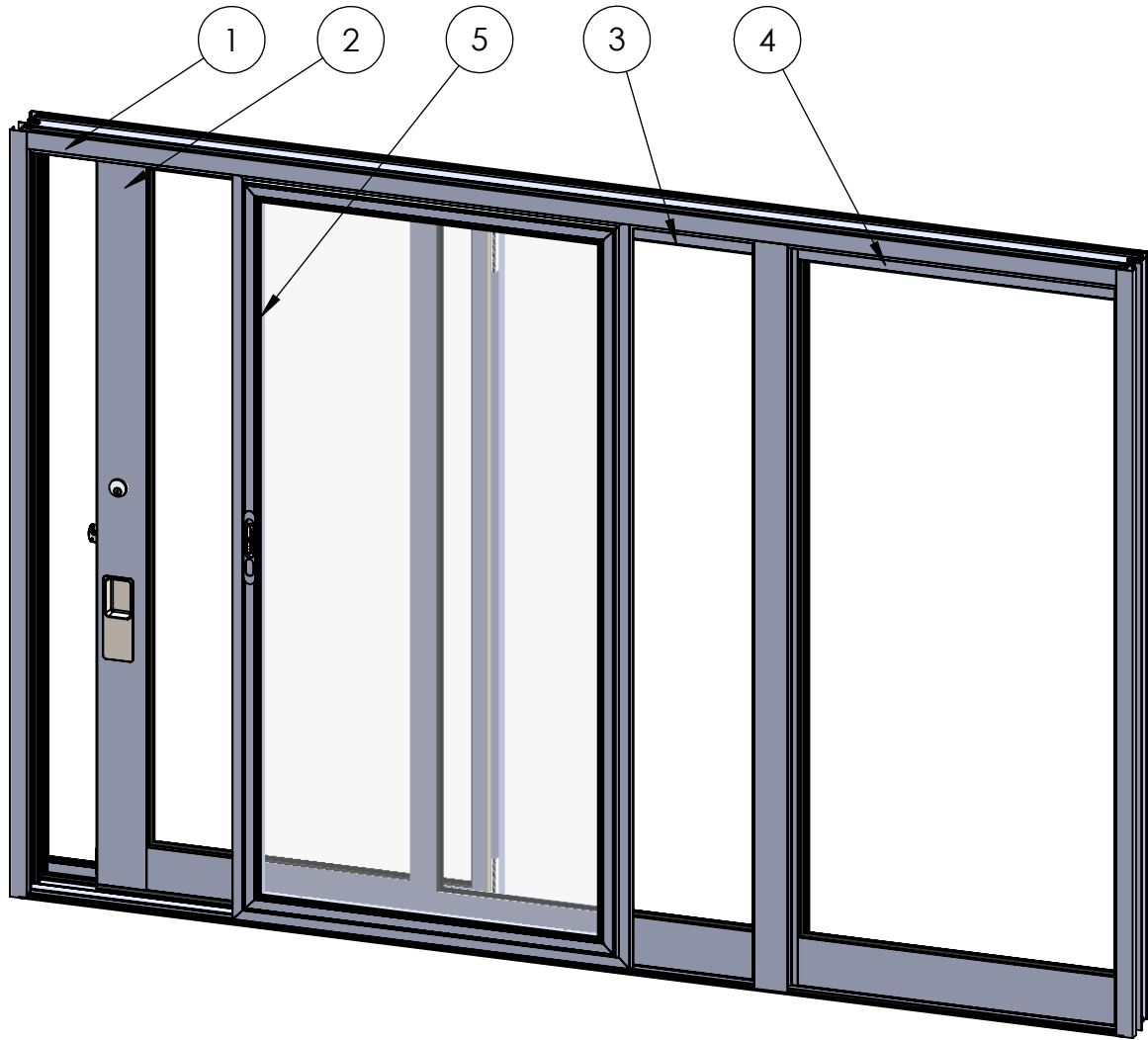
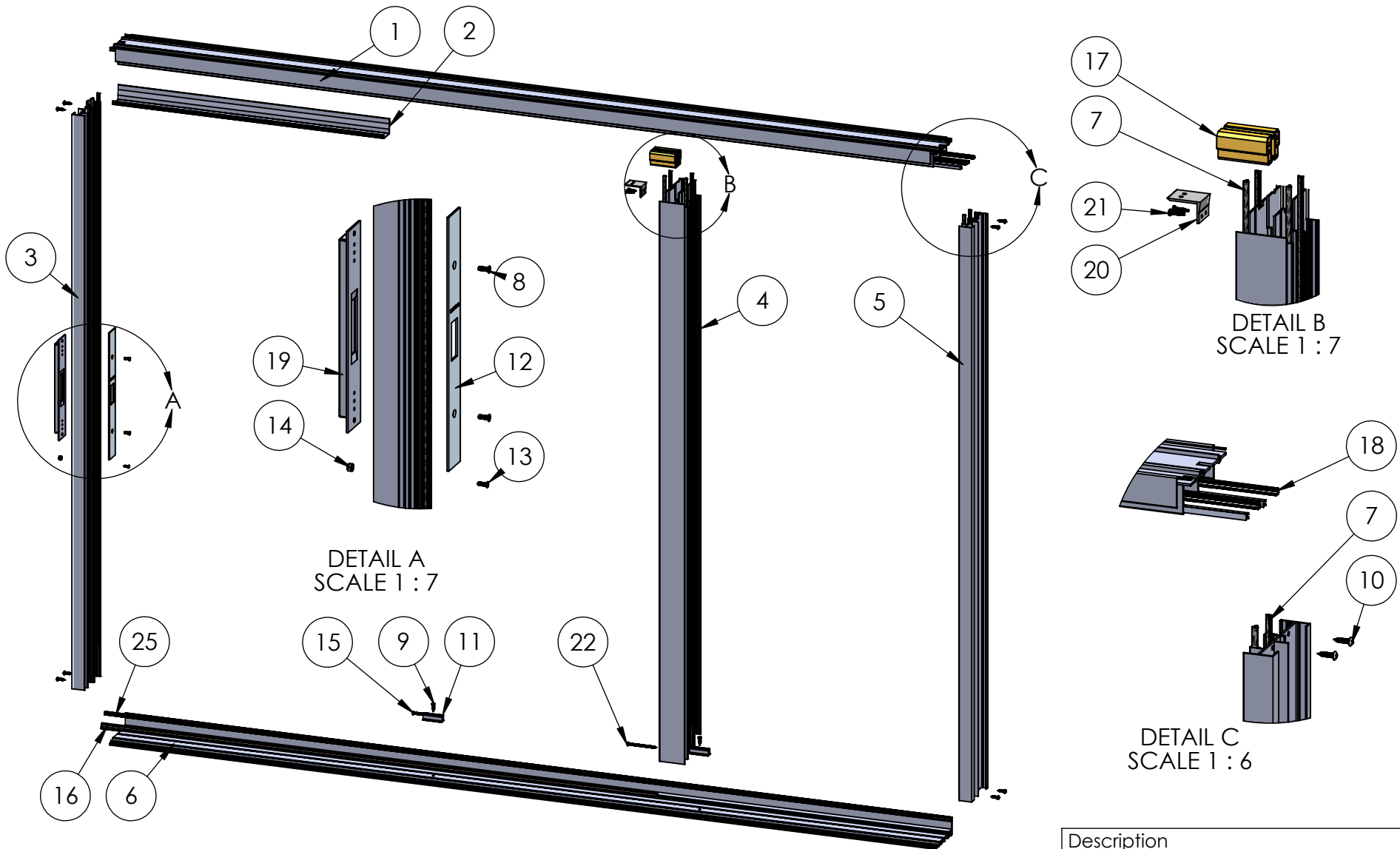


TABLE OF CONTENTS

| ITEM NO. | PART NUMBER | QTY. | PAGE # |
|----------|------------------------|------|--------|
| 1 | Frame Assembly | 1 | 2-3 |
| 2 | X Panel Assembly | 1 | 4-5 |
| 3 | O Panel Assembly | 1 | 6 |
| 4 | O Panel Fixed Assembly | 1 | 7 |
| 5 | Screen Assembly | 1 | 8 |

| | |
|---------------------------------------|--------------|
| Description Table of Contents | |
| File Name Series 3000 XOO Assembly | REV |
| Released 8/23/2018 | SHEET 1 OF 8 |

ASSEMBLY / PARTS LIST (B.O.M.)



| | |
|--------------------------|--------------|
| Description | |
| Frame Assembly | |
| File Name | REV |
| Series 3000 XOO Assembly | |
| Released | SHEET 2 OF 8 |
| 8/23/2018 | |

PROPRIETARY AND CONFIDENTIAL
 THE INFORMATION CONTAINED IN THIS DRAWING IS THE SOLE PROPERTY OF FLEETWOOD WINDOWS & DOORS.
 ANY REPRODUCTION IN PART OR AS A WHOLE WITHOUT THE WRITTEN PERMISSION OF FLEETWOOD WINDOWS & DOORS IS PROHIBITED.

ASSEMBLY / PARTS LIST (B.O.M.)

EXTRUSIONS

| ITEM NO. | PART NUMBER | DESCRIPTION | QTY. |
|----------|------------------|------------------------------------|------|
| 1 | 3017 | Head (Block, Nail-fin) | 1 |
| 2 | 3011 | Head Closer | 1 |
| 3 | 3001, 3012 | 4.5 Block Lock Jamb, Nail Fin Jamb | 1 |
| 4 | 3052 | False Jamb | 1 |
| 5 | 3001, 3012 | Jamb (Block, Nail-fin) | 1 |
| 6 | 3003, Block Sill | Block Sill | 1 |

HARDWARE

| ITEM NO. | PART NUMBER | DESCRIPTION | QTY. |
|----------|--------------|---|------|
| 7 | 19120 | Q-Lon (U5212) | 8 |
| 8 | 20278 | #10-32 FHP-B-UC, 9/16", SS clear | 2 |
| 9 | 20312 | #8 PHP-TEK Screw, .75 in | 2 |
| 10 | 20345 | #10 PHP - A, 3/4", Zinc, Clear | 8 |
| 11 | 20502 | Sill Block (M607, 20483) | 2 |
| 12 | 24067 | Strike Plate | 1 |
| 13 | 25497 | #8-32 FHP,UC, 1/2",SS | 1 |
| 14 | 25498 | #8-32 Nut with Nylon-Insert Hex Locknut,SS | 1 |
| 15 | 20404 | #10 OH - A, 2.5, Zinc,Gold | 1 |
| 16 | 23006 | Stainless Steel Track | 1 |
| 17 | 24101, 25350 | Bumper, Sliding Door Head Installation (2.625", 4.625") | 1 |
| 18 | 19118 | Small Fin Seal 23027045BKQB | 4 |
| 19 | 24068 | Backup Plate (With Dust Cover) | 1 |
| 20 | 23007 | L Clips with 4-hole, Clear | 1 |
| 21 | 20312, 20313 | #8 PHP-TEK Screw, .75 in (Clear, Black) | 2 |
| 22 | 25725 | #10 PHP-A Screw, 3 in, Clear | 1 |

Description

Frame B.O.M.

File Name

Series 3000 XOO Assembly

REV

PROPRIETARY AND CONFIDENTIAL

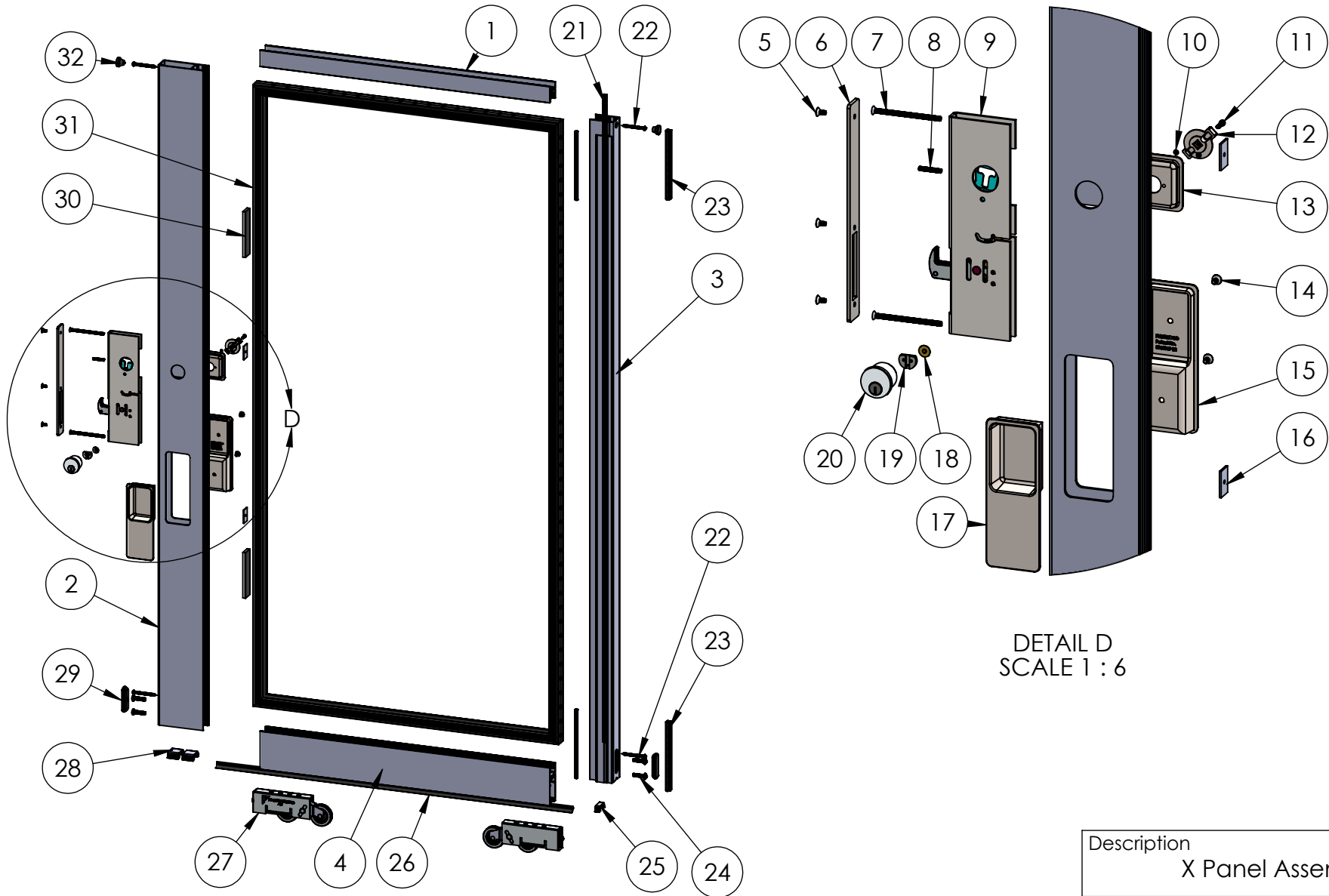
THE INFORMATION CONTAINED IN THIS DRAWING IS THE SOLE PROPERTY OF FLEETWOOD WINDOWS & DOORS.
ANY REPRODUCTION IN PART OR AS A WHOLE WITHOUT THE WRITTEN PERMISSION OF FLEETWOOD WINDOWS & DOORS IS PROHIBITED.

Released

8/23/2018

SHEET 3 OF 8

ASSEMBLY / PARTS LIST (B.O.M.)



DETAIL D
 SCALE 1 : 6

| | |
|---------------------------------------|--------------|
| Description X Panel Assembly | |
| File Name Series 3000 XOO Assembly | REV |
| Released 8/23/2018 | SHEET 4 OF 8 |

PROPRIETARY AND CONFIDENTIAL
 THE INFORMATION CONTAINED IN THIS DRAWING IS THE SOLE PROPERTY OF FLEETWOOD WINDOWS & DOORS.
 ANY REPRODUCTION IN PART OR AS A WHOLE WITHOUT THE WRITTEN PERMISSION OF FLEETWOOD WINDOWS & DOORS IS PROHIBITED.

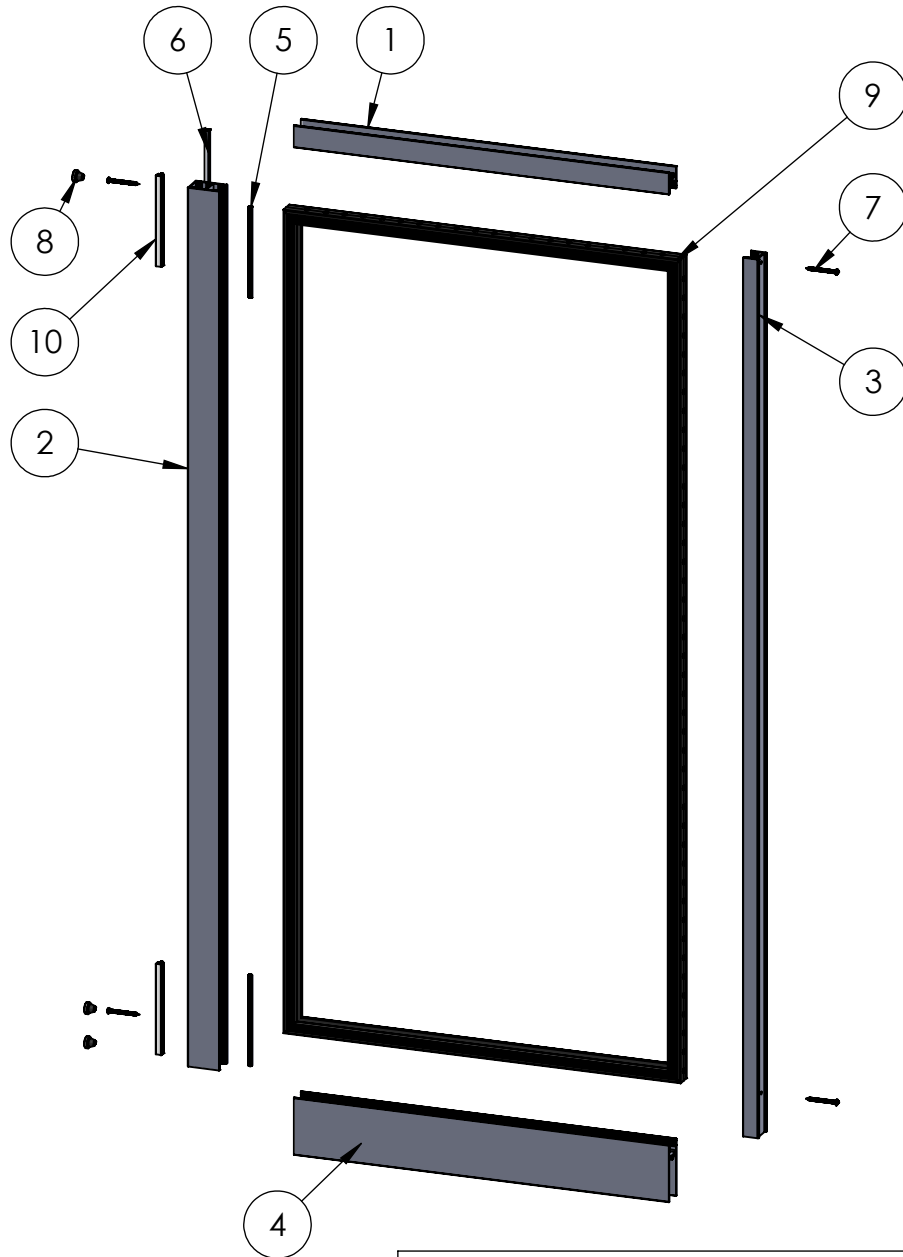
ASSEMBLY / PARTS LIST (B.O.M.)

| EXTRUSIONS | | | |
|------------|----------------------------|---|------|
| ITEM NO. | PART NUMBER | DESCRIPTION | QTY. |
| 1 | 3004, 3009 | Top Rail DG, Same as bottom rail | 1 |
| 2 | 3767 | Archetype Lock Stile | 1 |
| 3 | 3006 | Interlocker | 1 |
| 4 | 3009 | Bottom Rail | 1 |
| HARDWARE | | | |
| ITEM NO. | PART NUMBER | DESCRIPTION | QTY. |
| 5 | 24076 | #8-32 FHS, 3/8" Long, Hex Countersunk Screw (Stainless Steel) | 3 |
| 6 | 24075 | Archetype Latch Faceplate | 1 |
| 7 | 25729 | #10-32 FHP, 3, SS, Clear | 2 |
| 8 | 24935 | #8-32 x 1" Set Screw | 1 |
| 9 | 24070, 24077 | Archetype Latch (OX, XO) | 1 |
| 10 | 24074 | #4-40 FHP, UC, 1/8", SS, Clear | 2 |
| 11 | 24072, 24094 | #6-32, Hex Socket Head Cap, Self Locking, 1/2", SS (Clear, Black) | 1 |
| 12 | 24079, 24766 | Archetype Actuator (Black, SS) | 1 |
| 13 | 24080, 24765, 24081, 24767 | Archetype Actuator Pocket, [OX (Black, SS), XO (Black, SS)] | 1 |
| 14 | 24087, 24093 | 24087, #10-32 FH Socket Screw, 0.375 in (SS, Black) | 2 |
| 15 | 24089, 24091 | Archetype Handle, Inside, (SS, Blk) | 1 |
| 16 | 18671 | Back Up Plate | 2 |

| EXTRUSIONS | | | |
|------------|--------------|---|------|
| ITEM NO. | PART NUMBER | DESCRIPTION | QTY. |
| 17 | 24090, 24092 | 24090, 24091, Archetype Handle, Outside, w/Gasket (SS, Blk) | 1 |
| 18 | 24781 | Archetype Cam Bushing | 1 |
| 19 | 24780 | Key Cylinder Cam | 1 |
| 20 | 25356, 24782 | Archetype Keyed Cylinder (SS) (KA, KD) (with Cam/Bushing/Screw) | 1 |
| 21 | 19117 | Large Fin Seal | 1 |
| 22 | 20350 | No. 10 Screw, PHP 1 in. | 4 |
| 23 | 24653 | Air Barrier Standard Interlock | 2 |
| 24 | 20359 | #1/4-20 PHP - B, 1", SS, Clear | 4 |
| 25 | 19142 | Bottom Vent Clip (small) | 1 |
| 26 | 19064 | Sill Wipe, Bottom Vinyl | 1 |
| 27 | 20514 | A2 Roller Assembly | 2 |
| 28 | 19141 | Bottom Vent Clip (Large) | 2 |
| 29 | 18630 | Oval Plug- Short | 2 |
| 30 | 18620 | Setting Block 4" x 1/4"x1" | 2 |
| 31 | 22909 | 1 Inch Vinyl | 1 |
| 32 | 20635 | Small Round Door Bumper | 2 |
| 33 | 22927 | Screen Spline .250 6" | 2 |

| | |
|--------------------------------------|--------------|
| Description X Panel B.O.M. | |
| File Name Series 3000 XO Assembly | REV |
| Released 8/23/2018 | SHEET 5 OF 8 |

ASSEMBLY / PARTS LIST (B.O.M.)



EXTRUSIONS

| ITEM NO. | PART NUMBER | DESCRIPTION | QTY. |
|----------|-------------|-------------------|------|
| 1 | 3004 | Top Rail DG | 1 |
| 2 | 3006 | Interlocker | 1 |
| 3 | 3008 | Fixed Stile | 1 |
| 4 | 3010 | Fixed Bottom Rail | 1 |

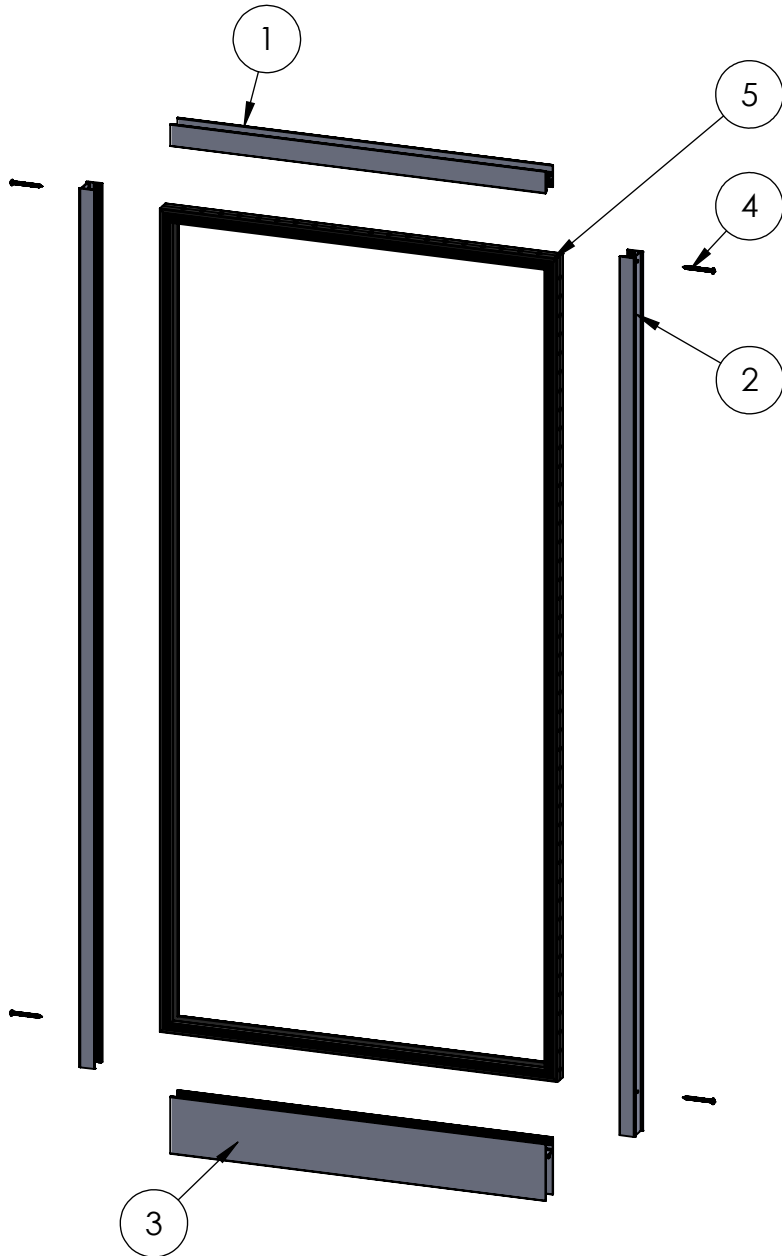
Hardware

| ITEM NO. | PART NUMBER | DESCRIPTION | QTY. |
|----------|-------------|--------------------------------|------|
| 5 | 22927 | Screen Spline .250 6" | 2 |
| 6 | 19117 | Large Fin Seal | 1 |
| 7 | 20350 | No. 10 Screw, PHP 1 in. | 4 |
| 8 | 20635 | Small Round Door Bumper | 3 |
| 9 | 22909 | 1 Inch Vinyl | 1 |
| 10 | 24653 | Air Barrier Standard Interlock | 2 |

| | | | |
|-------------|-----------|--------------------------|-----|
| Description | | O Panel | |
| File Name | | Series 3000 XOO Assembly | REV |
| Released | 8/23/2018 | SHEET 6 OF 8 | |

PROPRIETARY AND CONFIDENTIAL
 THE INFORMATION CONTAINED IN THIS DRAWING IS THE SOLE PROPERTY OF FLEETWOOD WINDOWS & DOORS.
 ANY REPRODUCTION IN PART OR AS A WHOLE WITHOUT THE WRITTEN PERMISSION OF FLEETWOOD WINDOWS & DOORS IS PROHIBITED.

ASSEMBLY / PARTS LIST (B.O.M.)



EXTRUSIONS

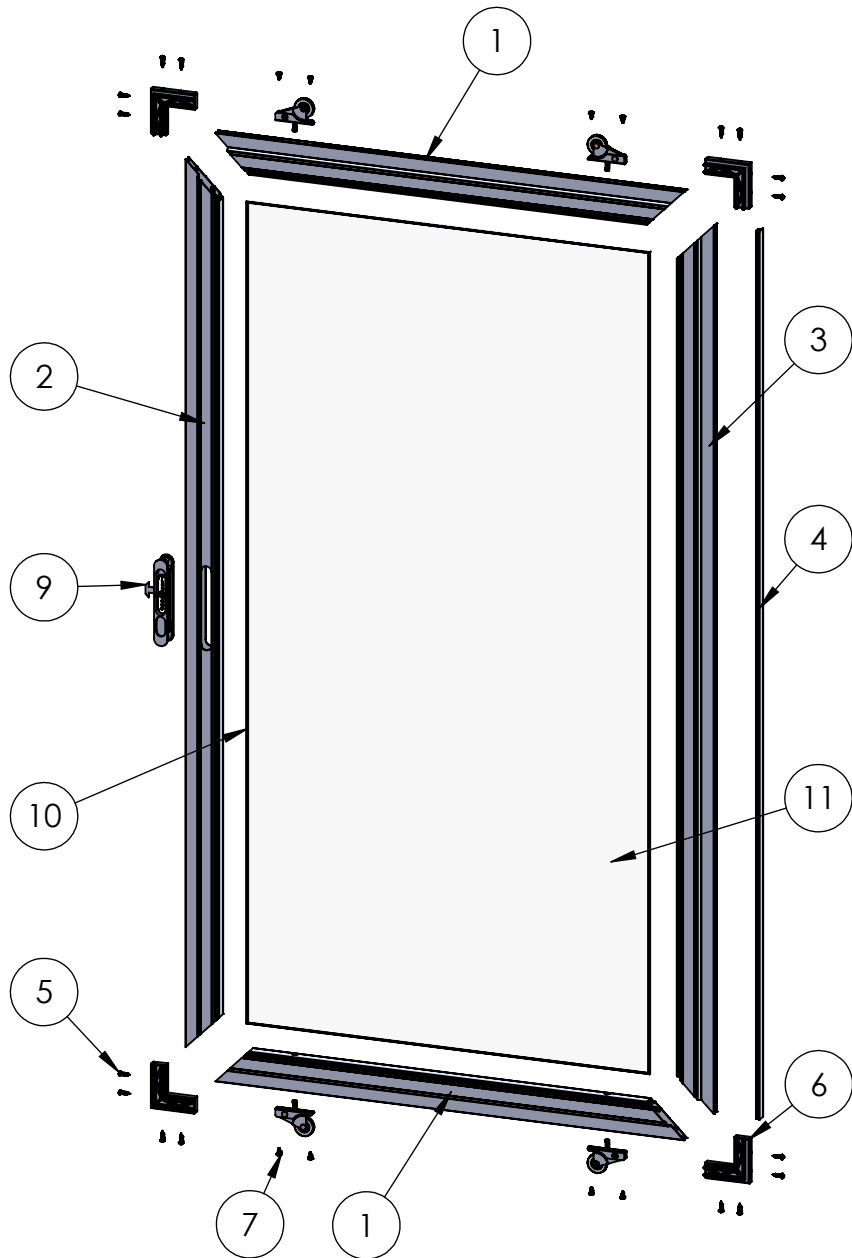
| ITEM NO. | PART NUMBER | DESCRIPTION | QTY. |
|----------|-------------|-------------------------|------|
| 1 | 3004 | Top Rail DG | 1 |
| 2 | 3008 | Fixed Stile | 2 |
| 3 | 3010 | Fixed Bottom Rail | 1 |
| 4 | 20350 | No. 10 Screw, PHP 1 in. | 4 |

HARDWARE

| ITEM NO. | PART NUMBER | DESCRIPTION | QTY. |
|----------|-------------|--------------|------|
| 5 | 22909 | 1 Inch Vinyl | 1 |

| | |
|---------------------------------------|--------------|
| Description O Panel Fixed | |
| File Name Series 3000 XOO Assembly | REV |
| Released 8/23/2018 | SHEET 7 OF 8 |

ASSEMBLY / PARTS LIST (B.O.M.)



EXTRUSIONS

| ITEM NO. | PART NUMBER | DESCRIPTION | QTY. |
|----------|-------------|---------------------|------|
| 1 | 145 | Top / Bottom Screen | 2 |
| 2 | 145 | Screen Stile | 1 |
| 3 | 145 | Screen Stile | 1 |

HARDWARE

| ITEM NO. | PART NUMBER | DESCRIPTION | QTY. |
|----------|-------------|-------------------------------|------|
| 4 | 20531 | Bug wipe screen | 1 |
| 5 | 20955 | #8 PHP - A, 5/8, SS, Clear | 16 |
| 6 | 20489 | Screen Corner Door B1240 | 4 |
| 7 | 20225 | #6 PHP - TEK, 3/8", SS, Clear | 8 |
| 8 | 22905 | Screen Roller | 4 |
| 9 | 20474 | Screen Handle | 1 |
| 10 | 19130 | Screen Rubber Spline .160 | 1 |
| 11 | - | Screen Mesh | 1 |

Description
Screen Assembly

File Name
Series 3000 XOO Assembly

REV

Released 8/23/2018 SHEET 8 OF 8