

ASSEMBLY / PARTS LIST (B.O.M.)

Series: 3000
Type: OXOL Configuration with Screen

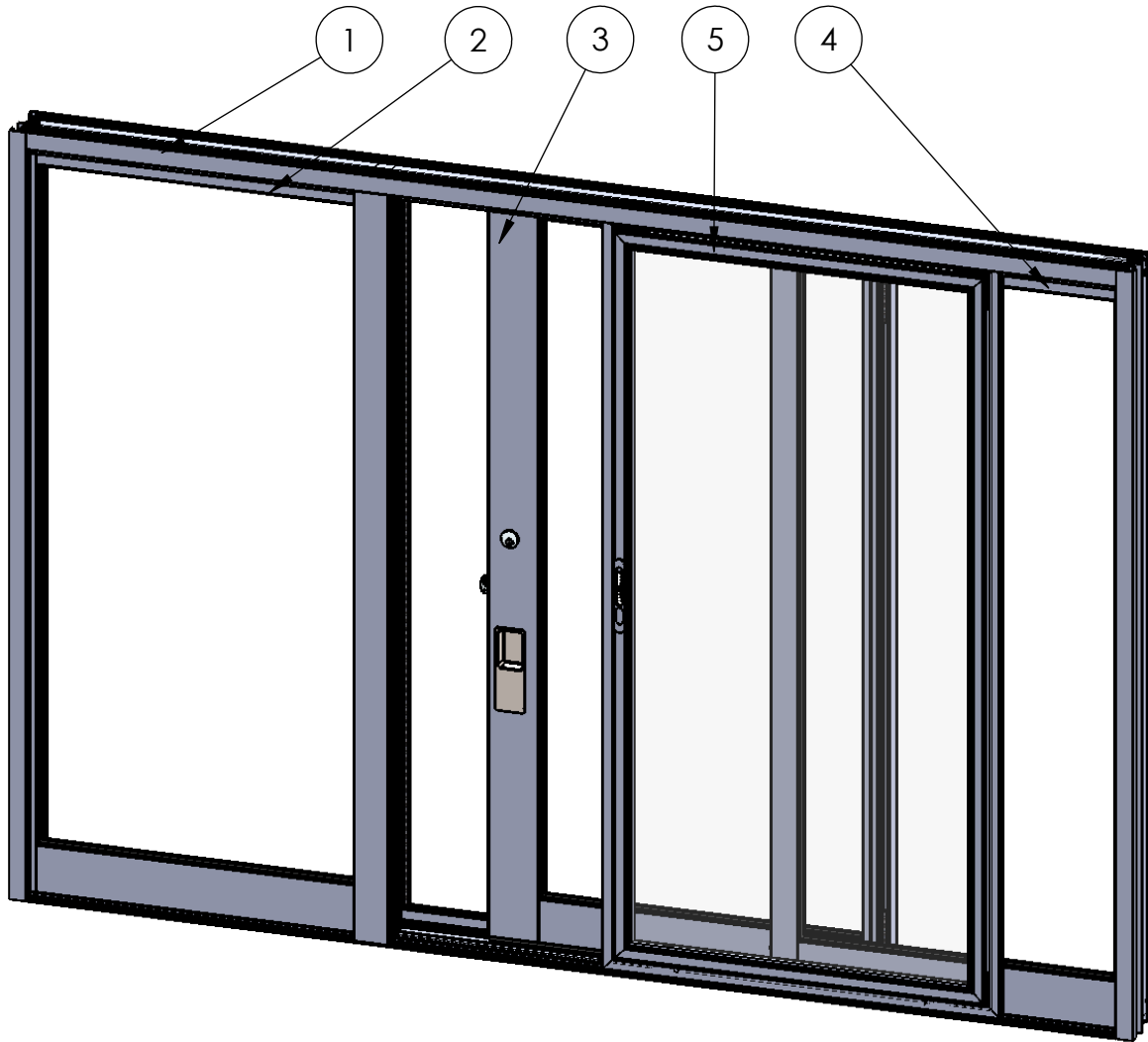
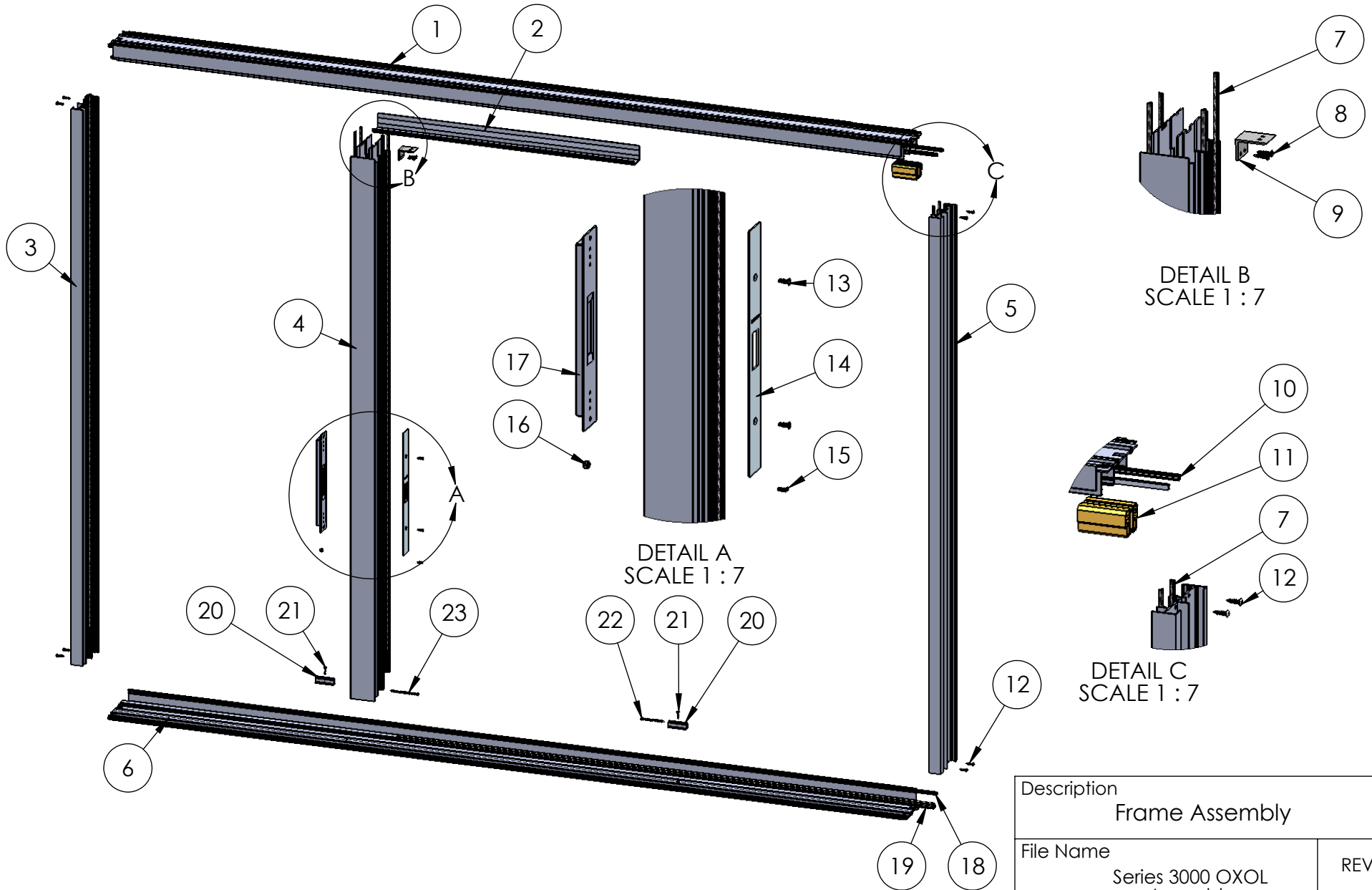


TABLE OF CONTENTS

ITEM NO.	PART NUMBER	QTY.	PAGE #
1	Frame Assembly	1	2-3
2	O Panel Fixed Assembly	1	4
3	X Panel Assembly	1	5-6
4	O Panel Assembly	1	7
5	Screen Assembly	1	8

Description Table of Contents	
File Name Series 3000 OXOL Assembly	REV
Released 8/23/2018	SHEET 1 OF 8

ASSEMBLY / PARTS LIST (B.O.M.)



PROPRIETARY AND CONFIDENTIAL
 THE INFORMATION CONTAINED IN THIS DRAWING IS THE SOLE PROPERTY OF FLEETWOOD WINDOWS & DOORS.
 ANY REPRODUCTION IN PART OR AS A WHOLE WITHOUT THE WRITTEN PERMISSION OF FLEETWOOD WINDOWS & DOORS IS PROHIBITED.

Description		Frame Assembly
File Name	Series 3000 OXOL Assembly	REV
Released	8/23/2018	SHEET 2 OF 8

ASSEMBLY / PARTS LIST (B.O.M.)

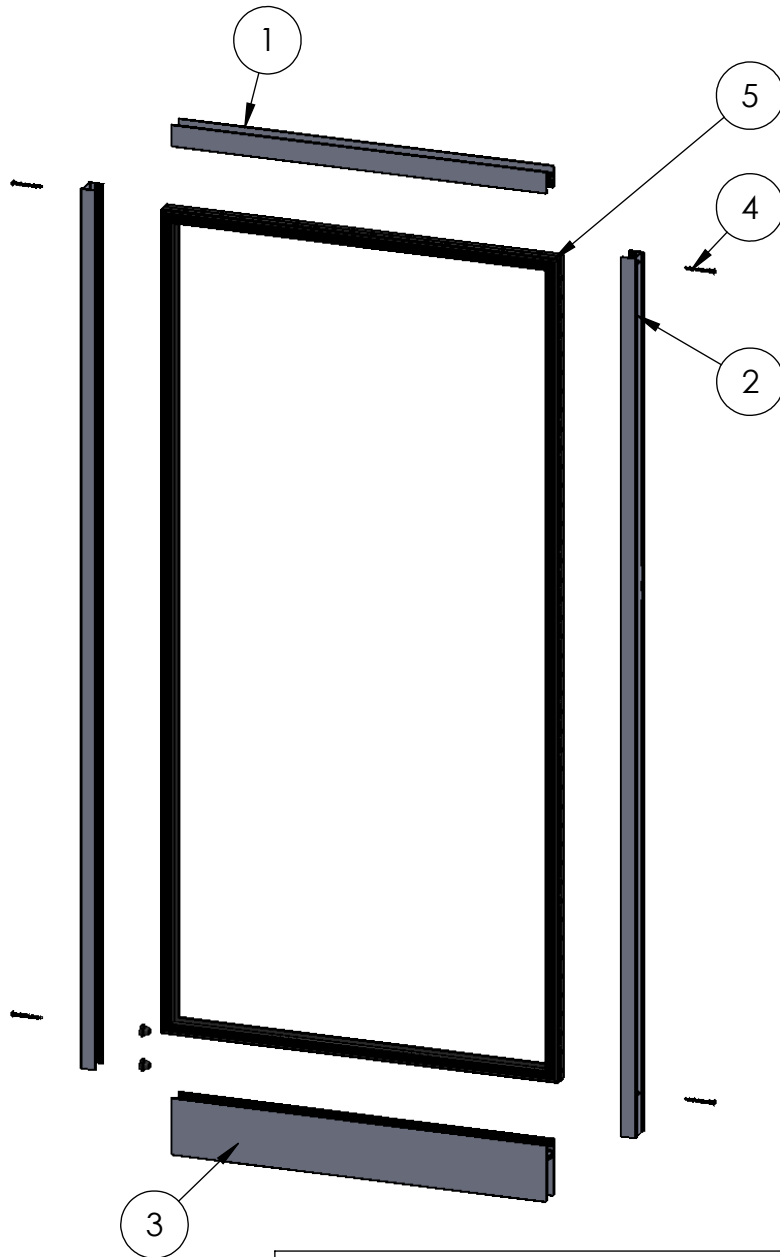
EXTRUSIONS			
ITEM NO.	PART NUMBER	DESCRIPTION	QTY.
1	3017, 3095	Head (Block, Nail-fin)	1
2	3011	Head Closer	1
3	3001, 3012	4.5 Block Lock Jamb, Nail Fin Jamb	1
4	3052	False Jamb	1
5	3001, 3012	Jamb (Block, Nail-fin)	1
6	3003,	Sill (water leg height 1.25", 1.88", 3")	1

HARDWARE			
ITEM NO.	PART NUMBER	DESCRIPTION	QTY.
7	19120	Q-Lon (U5212)	8
8	20312, 20313	#8 PHP-TEK Screw, .75 in (Clear, Black)	2
9	23007	L Clips with 4-hole, Clear	1
10	19118	Small Fin Seal 23027045BKQB	4
11	24101, 25350	Bumper, Sliding Door Head Installation (2.625", 4.625")	1
12	20345	#10 PHP - A, 3/4", Zinc, Clear	8
13	20278	#10-32 FHP-B-UC, 9/16", SS clear	2
14	24067	Strike Plate	1
15	25497	#8-32 FHP,UC, 1/2",SS	1

HARDWARE			
ITEM NO.	PART NUMBER	DESCRIPTION	QTY.
16	25498	#8-32 Locknut with Nylon-Insert	1
17	24068	Backup Plate (With Dust Cover)	1
19	23006	Stainless Steel Track	1
20	20502	Sill Block (M607, 20483)	2
21	20312	#8 PHP-TEK Screw, .75 in	2
22	20404	#10 OH - A, 2.5, Zinc,Gold	1
23	25725	#10 PHP-A Screw, 3 in, Clear	1

Description Frame B.O.M.	
File Name Series 3000 OXOL Assembly	REV
Released 8/23/2018	SHEET 3 OF 8

ASSEMBLY / PARTS LIST (B.O.M.)



EXTRUSIONS

ITEM NO.	PART NUMBER	DESCRIPTION	QTY.
1	3004	Top Rail DG	1
2	3008	Fixed Stile	2
3	3010	Fixed Bottom Rail	1
4	20350	No. 10 Screw, PHP 1 in.	4

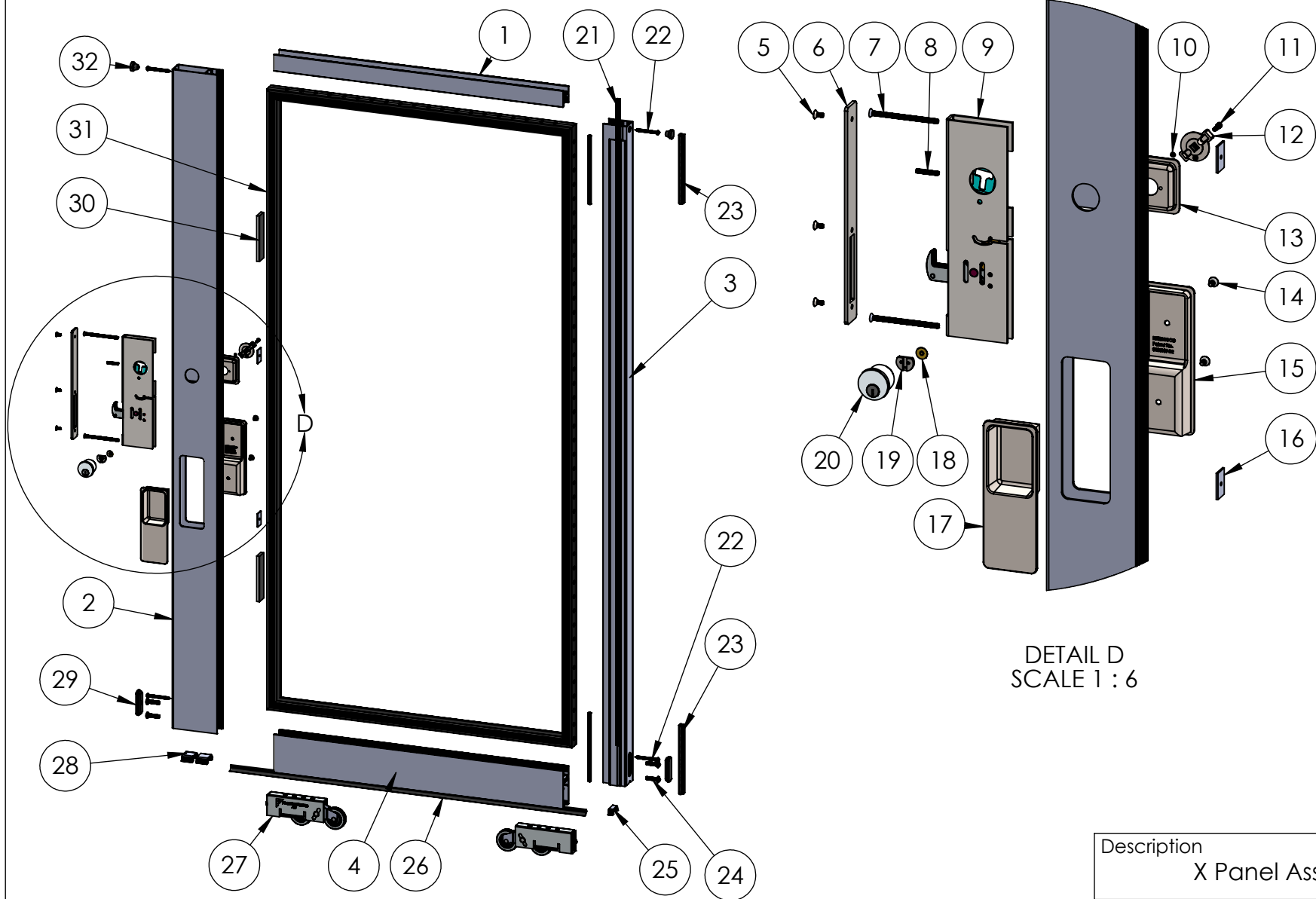
HARDWARE

ITEM NO.	PART NUMBER	DESCRIPTION	QTY.
5	22909	1 Inch Vinyl	1
6	20635	Small Round Door Bumper	2

Description O Panel Fixed	
File Name Series 3000 OXOL Assembly	REV
Released	8/23/2018
SHEET 4 OF 8	

PROPRIETARY AND CONFIDENTIAL
 THE INFORMATION CONTAINED IN THIS DRAWING IS THE SOLE PROPERTY OF FLEETWOOD WINDOWS & DOORS.
 ANY REPRODUCTION IN PART OR AS A WHOLE WITHOUT THE WRITTEN PERMISSION OF FLEETWOOD WINDOWS & DOORS IS PROHIBITED.

ASSEMBLY / PARTS LIST (B.O.M.)



DETAIL D
 SCALE 1 : 6

Description	
X Panel Assembly	
File Name	REV
Series 3000 OXOL Assembly	
Released	SHEET 5 OF 8
8/23/2018	

PROPRIETARY AND CONFIDENTIAL
 THE INFORMATION CONTAINED IN THIS DRAWING IS THE SOLE PROPERTY OF FLEETWOOD WINDOWS & DOORS.
 ANY REPRODUCTION IN PART OR AS A WHOLE WITHOUT THE WRITTEN PERMISSION OF FLEETWOOD WINDOWS & DOORS IS PROHIBITED.

ASSEMBLY / PARTS LIST (B.O.M.)

EXTRUSIONS			
ITEM NO.	PART NUMBER	DESCRIPTION	QTY.
1	3004, 3009	Top Rail DG, Same as bottom rail	1
2	3767	Archetype Lock Stile	1
3	3006	Interlocker	1
4	3009	Bottom Rail	1
HARDWARE			
ITEM NO.	PART NUMBER	DESCRIPTION	QTY.
5	24076	#8-32 FHS Hex Screw, 3/8" in. (SS)	3
6	24075	Archetype Latch Faceplate	1
7	25729	#10-32 FHP, 3, SS, Clear	2
8	24935	#8-32 x 1" Set Screw	1
9	24070, 24077	Archetype Latch (OX, XO)	1
10	24074	#4-40 FHP, UC, 1/8", SS, Clear	2
11	24072, 24094	#6-32, Hex Socket Head Cap, Self Locking, 1/2", SS (Clear, Black)	1
12	24079, 24766	Archetype Actuator (Black, SS)	1
13	24080, 24765, 24081, 24767	Archetype Actuator Pocket, [OX (Black, SS), XO (Black, SS)]	1
14	24087, 24093	#10-32 FHS Screw, 0.375 in (SS, Black)	2
15	24089, 24091	Archetype Handle, Inside (SS, Blk)	1
16	18671	Back Up Plate	2

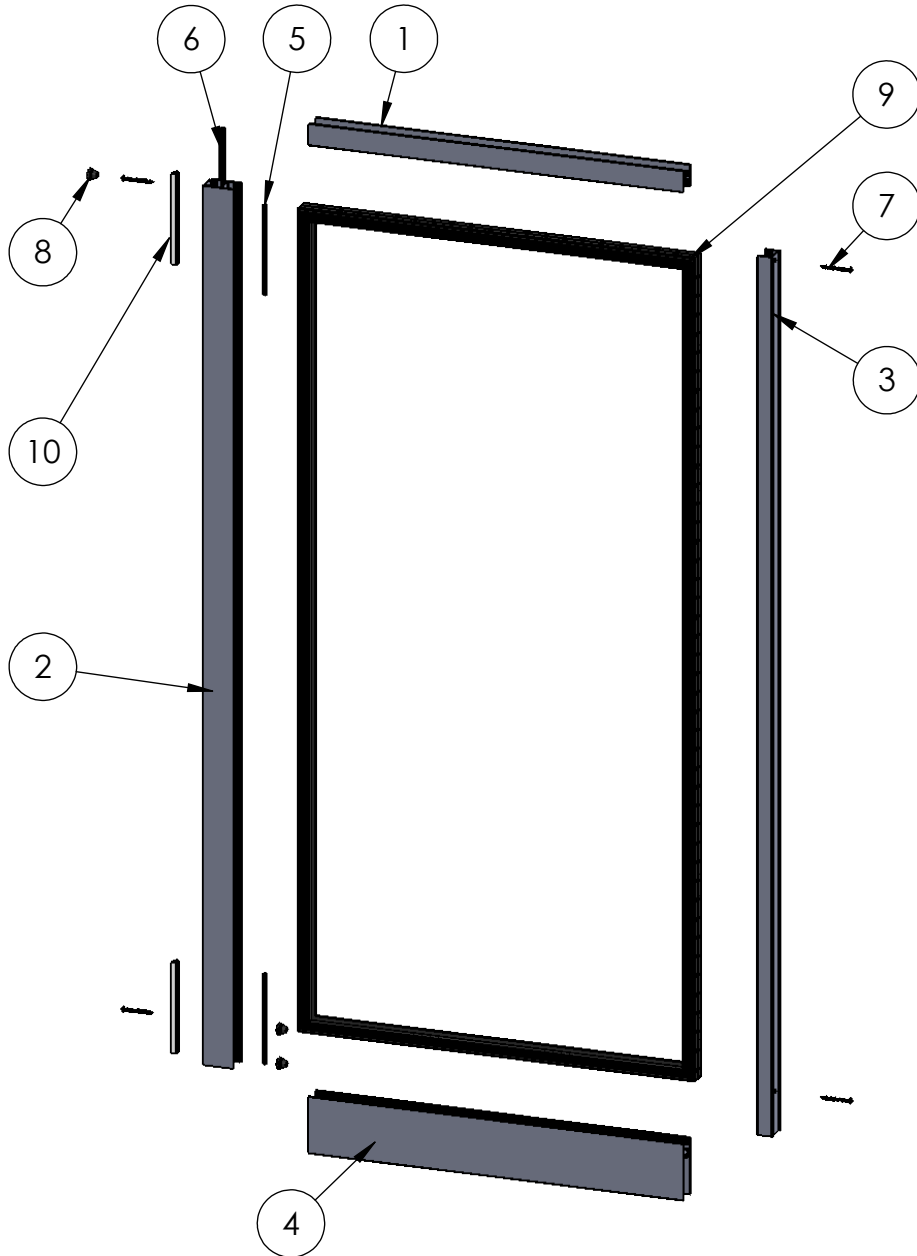
HARDWARE			
ITEM NO.	PART NUMBER	DESCRIPTION	QTY.
17	24090, 24092	24090,24091, Archetype Handle, Outside, w/Gasket (SS, Blk)	1
18	24781	Archetype Cam Bushing	1
19	24780	Key Cylinder Cam	1
20	25356, 24782	Archetype Keyed Cylinder (SS) (KA,KD) (with Cam/Bushing/Screw)	1
21	19117	Large Fin Seal	1
22	20350	No. 10 Screw, PHP 1 in.	4
23	24653	Air Barrier Standard Interlock	2
24	20359	#1/4-20 PHP - B, 1", SS, Clear	4
25	19142	Bottom Vent Clip (small)	1
26	19064	Sill Wipe, Bottom Vinyl	1
27	20514	A2 Roller Assembly	2
28	19141	Bottom Vent Clip (Large)	2
29	18630	Oval Plug- Short	2
30	18620	Setting Block 4" x 1/4"x1"	2
31	22909	1 Inch Vinyl	1
32	20635	Small Round Door Bumper	2
33	22927	Screen Spline .250 6"	2

Description X Panel B.O.M.	
File Name Series 3000 OXOL Assembly	REV
Released 8/23/2018	SHEET 6 OF 8

PROPRIETARY AND CONFIDENTIAL

THE INFORMATION CONTAINED IN THIS DRAWING IS THE SOLE PROPERTY OF FLEETWOOD WINDOWS & DOORS.
ANY REPRODUCTION IN PART OR AS A WHOLE WITHOUT THE WRITTEN PERMISSION OF FLEETWOOD WINDOWS & DOORS IS PROHIBITED.

ASSEMBLY / PARTS LIST (B.O.M.)



EXTRUSIONS

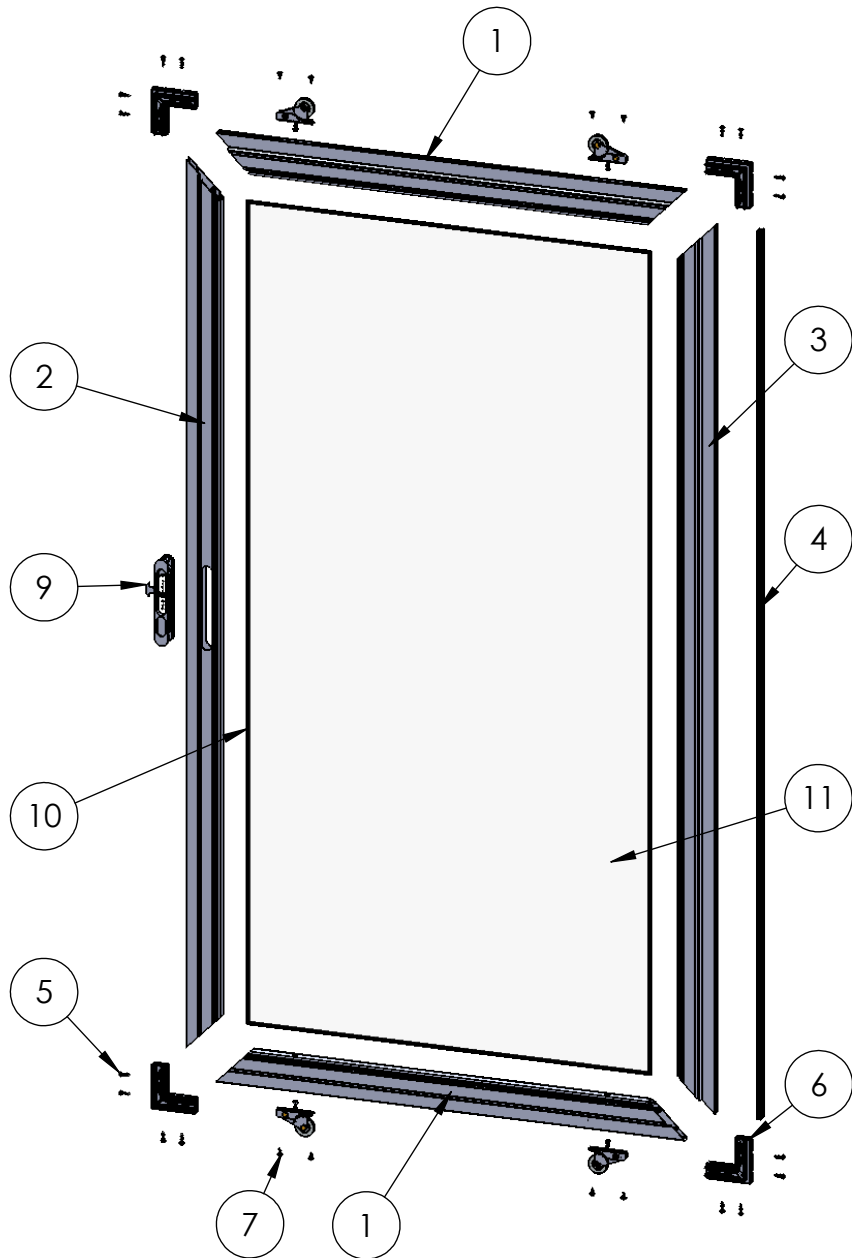
ITEM NO.	PART NUMBER	DESCRIPTION	QTY.
1	3004	Top Rail DG	1
2	3006	Interlocker	1
3	3008	Fixed Stile	1
4	3010	Fixed Bottom Rail	1

Hardware

ITEM NO.	PART NUMBER	DESCRIPTION	QTY.
5	22927	Screen Spline .250 6"	2
6	19117	Large Fin Seal	1
7	20350	No. 10 Screw, PHP 1 in.	4
8	20635	Small Round Door Bumper	3
9	22909	1 Inch Vinyl	1
10	24653	Air Barrier Standard Interlock	2

Description		O Panel
File Name	Series 3000 OXOL Assembly	REV
Released	8/23/2018	SHEET 7 OF 8

ASSEMBLY / PARTS LIST (B.O.M.)



EXTRUSIONS

ITEM NO.	PART NUMBER	DESCRIPTION	QTY.
1	145	Top / Bottom Screen	2
2	145	Screen Stile	1
3	145	Screen Stile	1

HARDWARE

ITEM NO.	PART NUMBER	DESCRIPTION	QTY.
4	20531	Bug wipe screen	1
5	20955	#8 PHP - A, 5/8, SS, Clear	16
6	20489	Screen Corner Door B1240	4
7	20225	#6 PHP - TEK, 3/8", SS, Clear	8
8	22905	Screen Roller	4
9	20474	Screen Handle	1
10	19130	Screen Rubber Spline .160	1
11	-	Screen Mesh	1

Description Screen Assembly	
File Name Series 3000 OXOL Assembly	REV
Released	8/23/2018
SHEET 8 OF 8	

PROPRIETARY AND CONFIDENTIAL
THE INFORMATION CONTAINED IN THIS DRAWING IS THE SOLE PROPERTY OF FLEETWOOD WINDOWS & DOORS.
ANY REPRODUCTION IN PART OR AS A WHOLE WITHOUT THE WRITTEN PERMISSION OF FLEETWOOD WINDOWS & DOORS IS PROHIBITED.