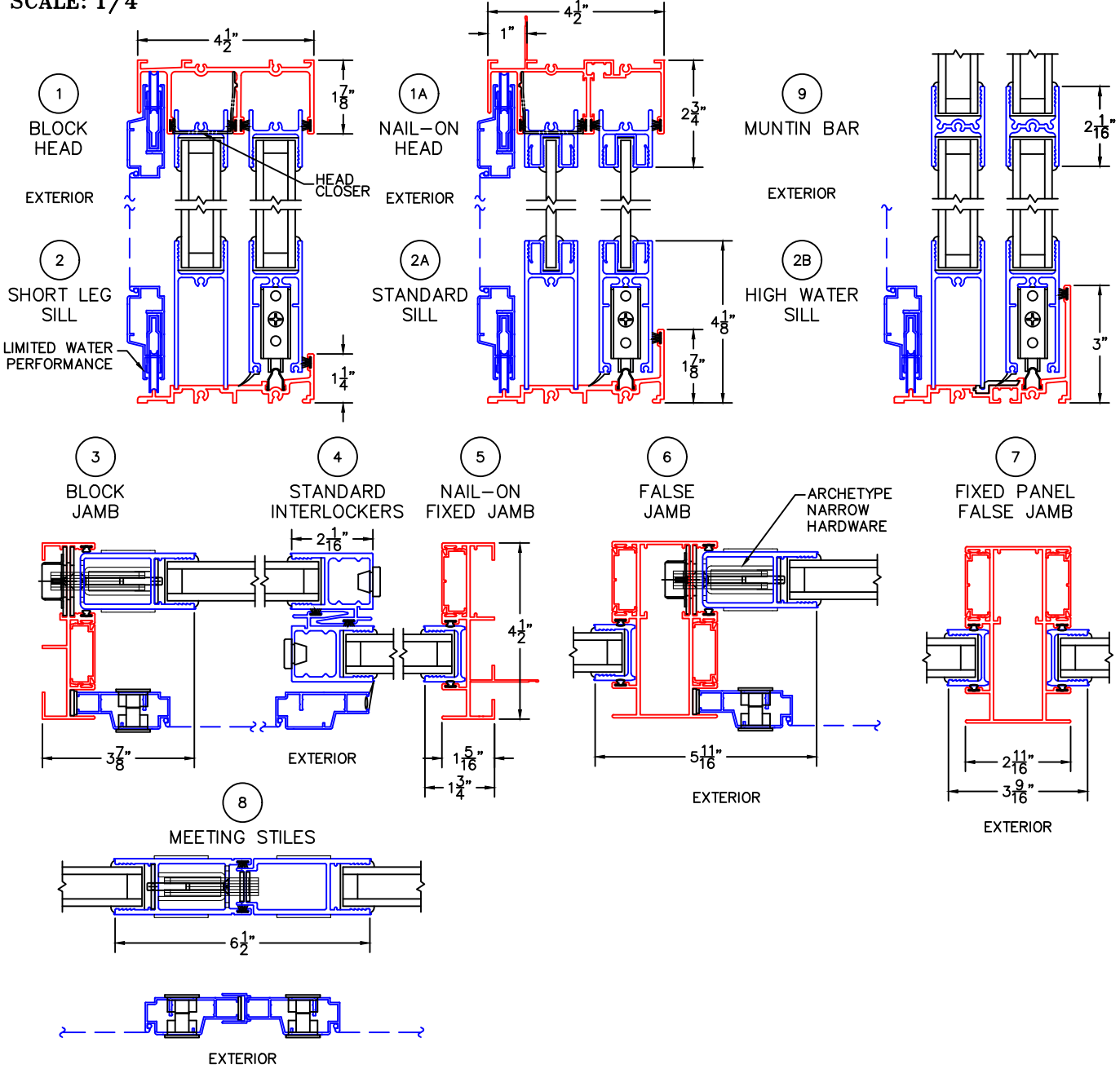
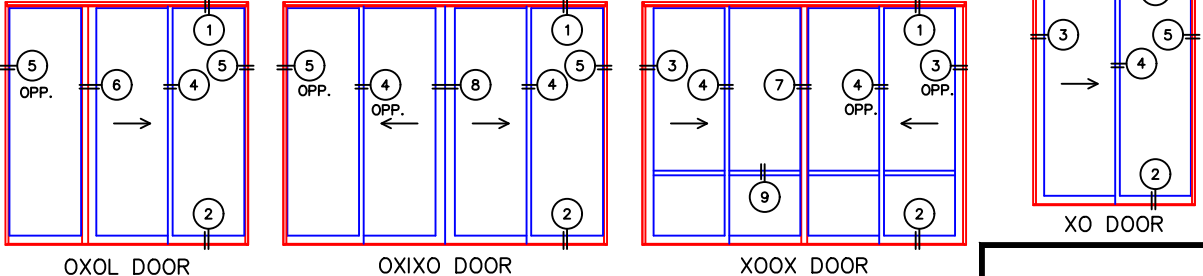


(USE RULER TO SCALE DIMENSIONS IN INCHES)
SCALE: 1/4"

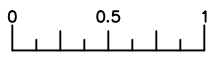
SLIDING DOOR DETAILS
1" INSULATED AND 1/4" SINGLE GLAZING AVAILABLE



NOTE: CENTERLINES ARE NOT DIVIDED EQUALLY; CONFIRM CENTERLINES WHEN REQUIRED.



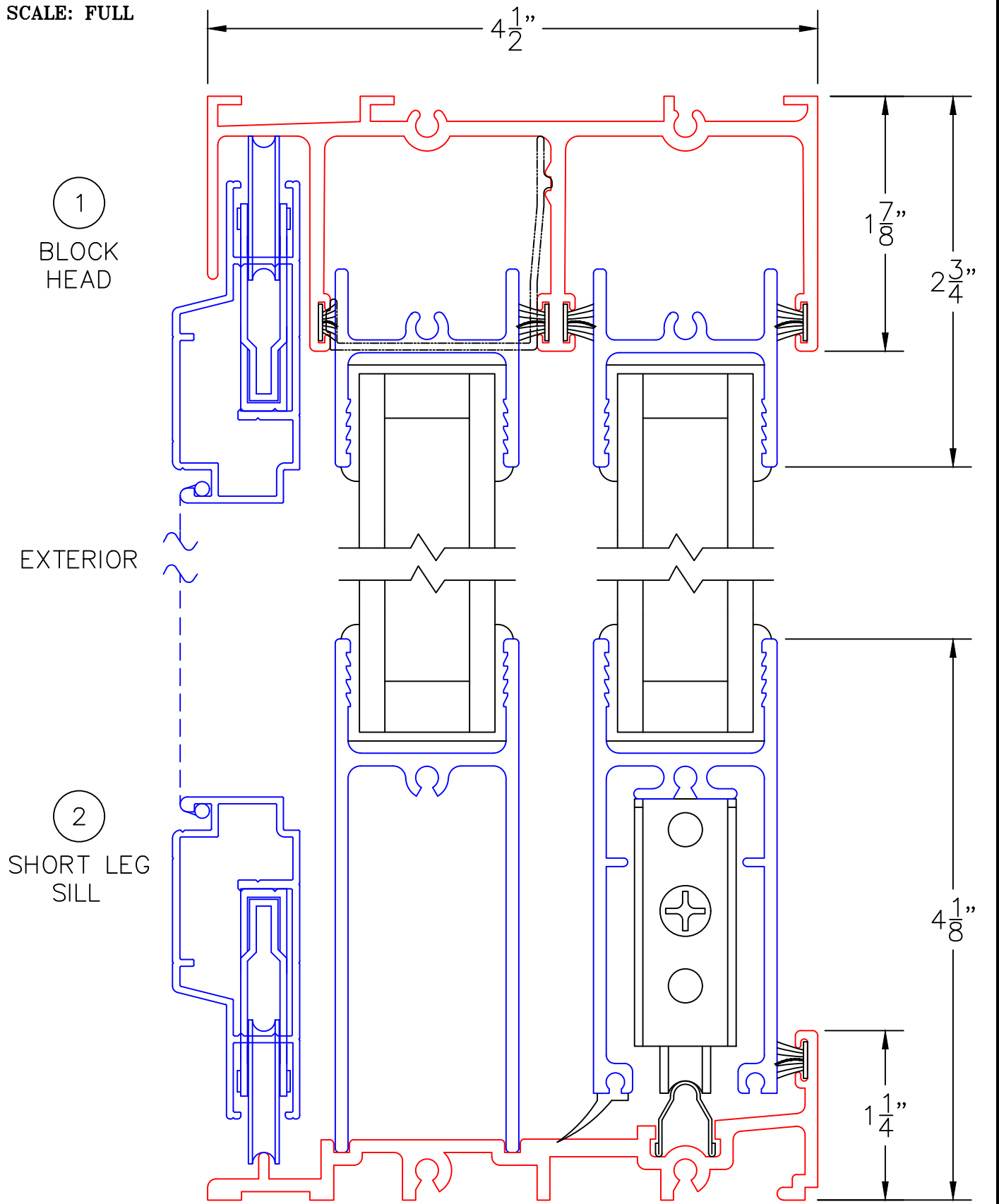
-GLASS PENETRATION: 11/16"



(USE RULER TO SCALE DIMENSIONS IN INCHES)

SCALE: FULL

SLIDING DOOR DETAILS
1" INSULATED GLAZING SHOWN



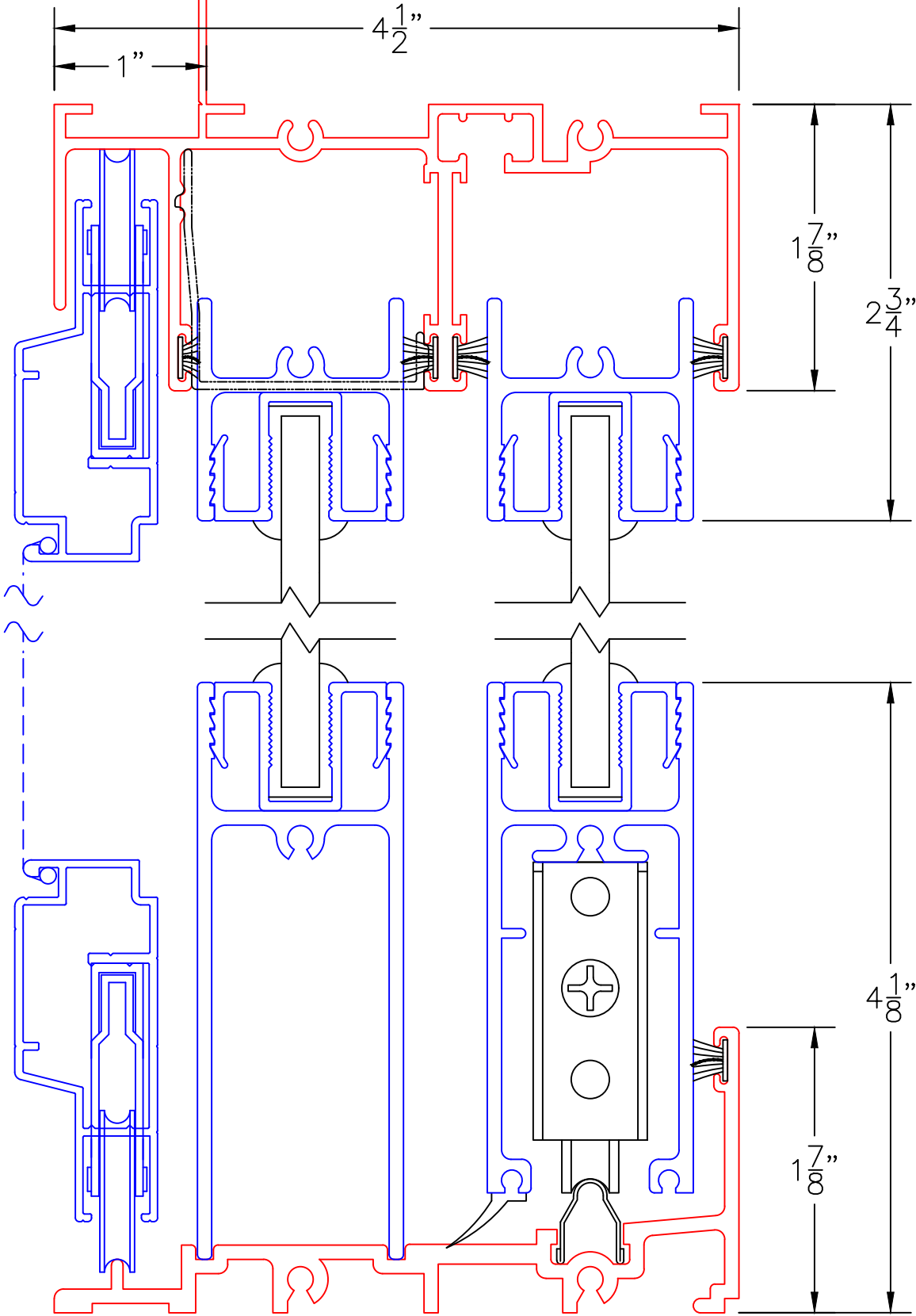
0 0.5 1
(USE RULER TO SCALE DIMENSIONS IN INCHES)
SCALE: FULL

SLIDING DOOR DETAILS
1/4" SINGLE GLAZING SHOWN

1A
NAIL-ON
HEAD

EXTERIOR

2A
STANDARD
SILL



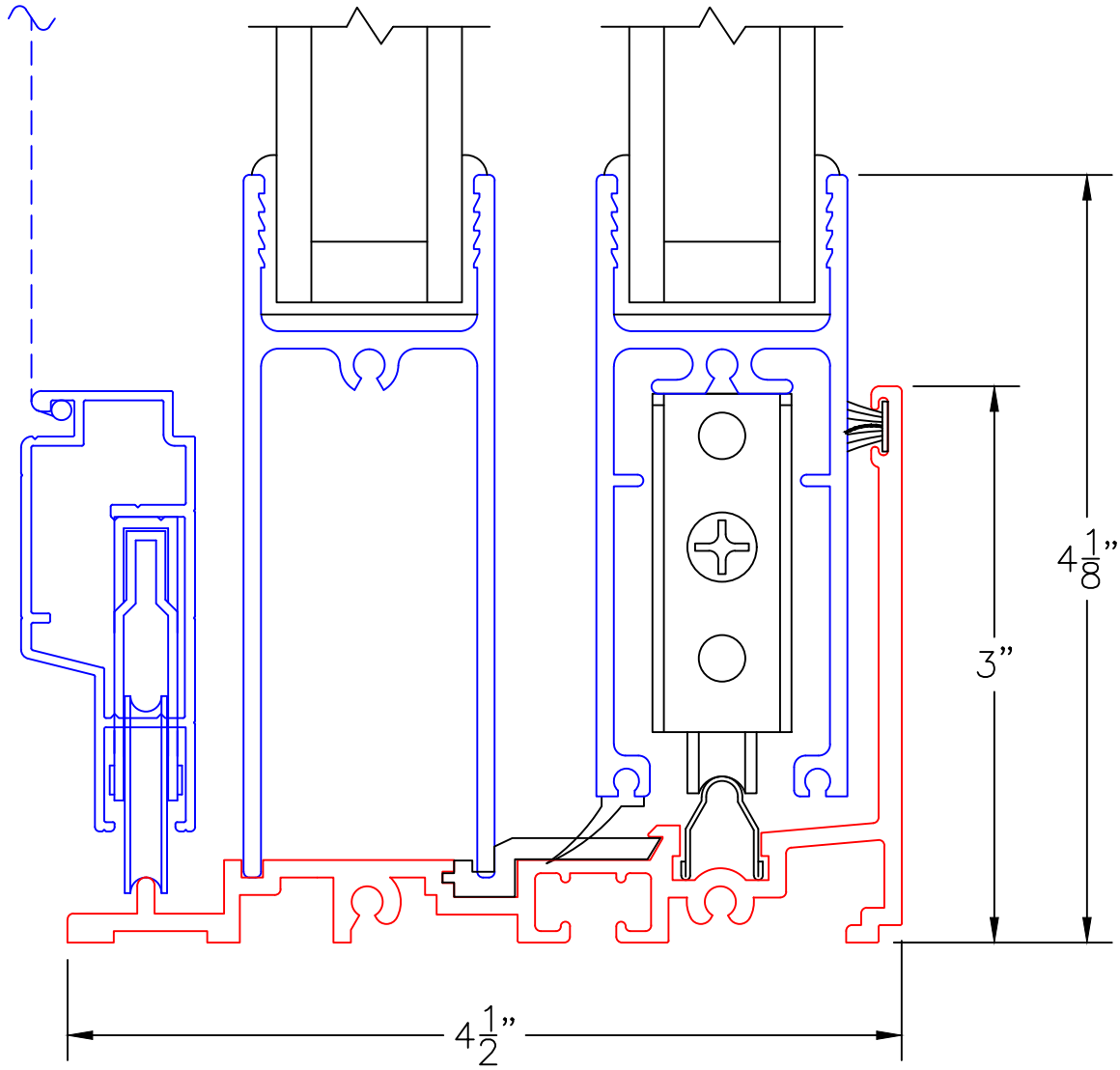
0 0.5 1
(USE RULER TO SCALE DIMENSIONS IN INCHES)
SCALE: FULL

SLIDING DOOR DETAILS
1" INSULATED GLAZING SHOWN

(2B)

HIGH WATER
SILL

EXTERIOR



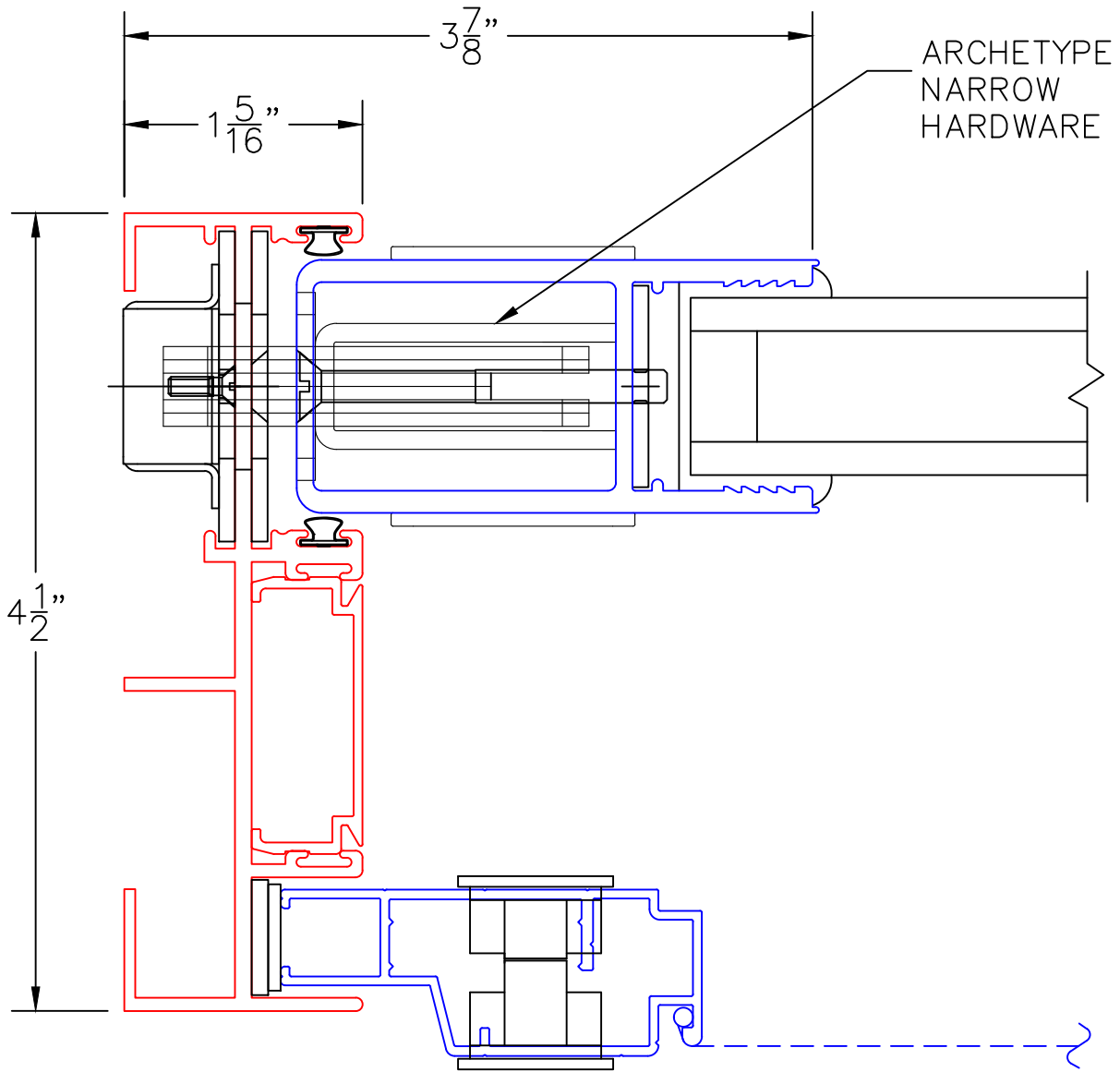
0 0.5 1
(USE RULER TO SCALE DIMENSIONS IN INCHES)

SCALE: FULL

SLIDING DOOR DETAILS
1" INSULATED GLAZING SHOWN

3

BLOCK
LOCK JAMB



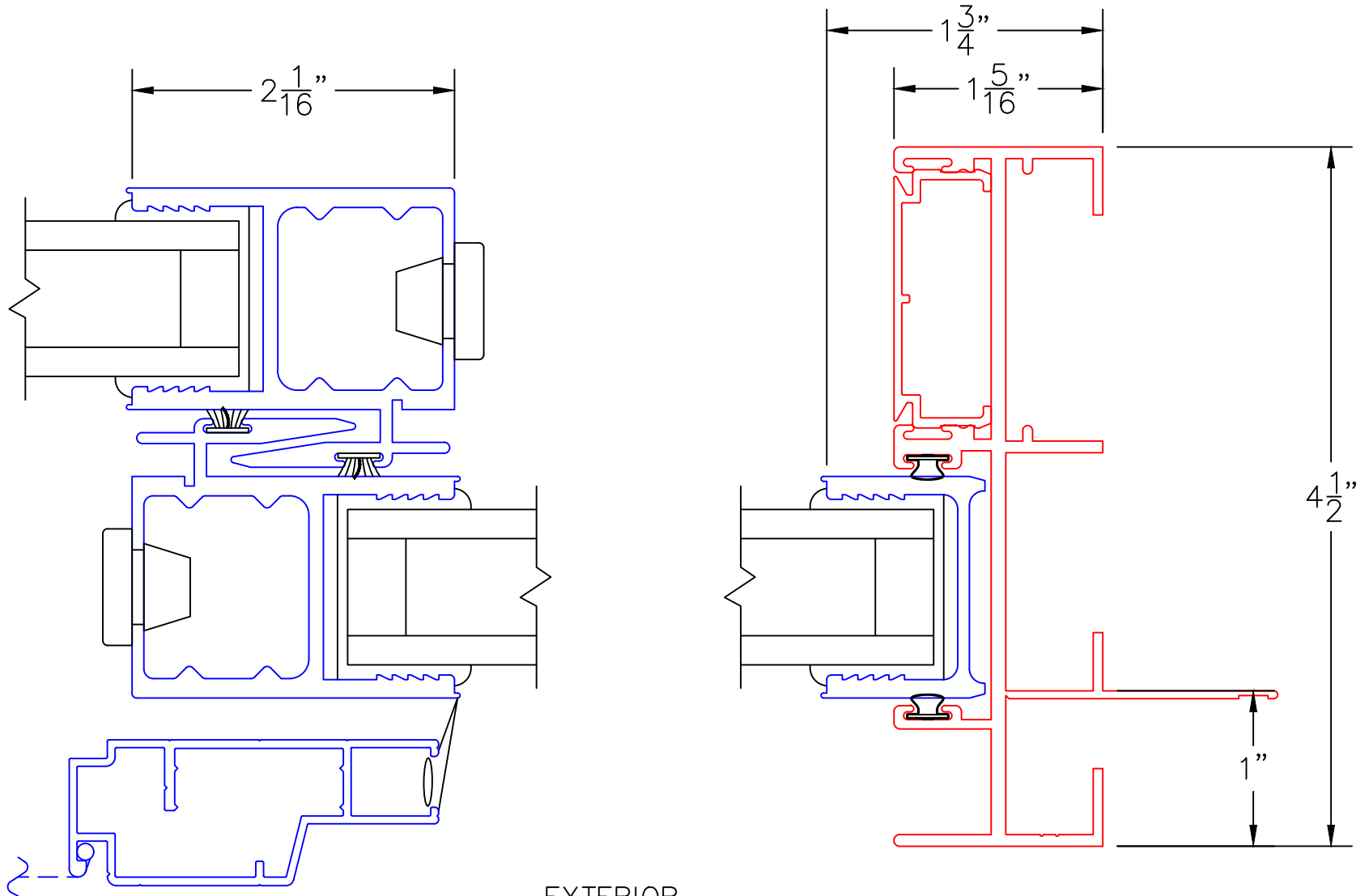
EXTERIOR

0 0.5 1
(USE RULER TO SCALE DIMENSIONS IN INCHES)
SCALE: FULL

SLIDING DOOR DETAILS
1" INSULATED GLAZING SHOWN

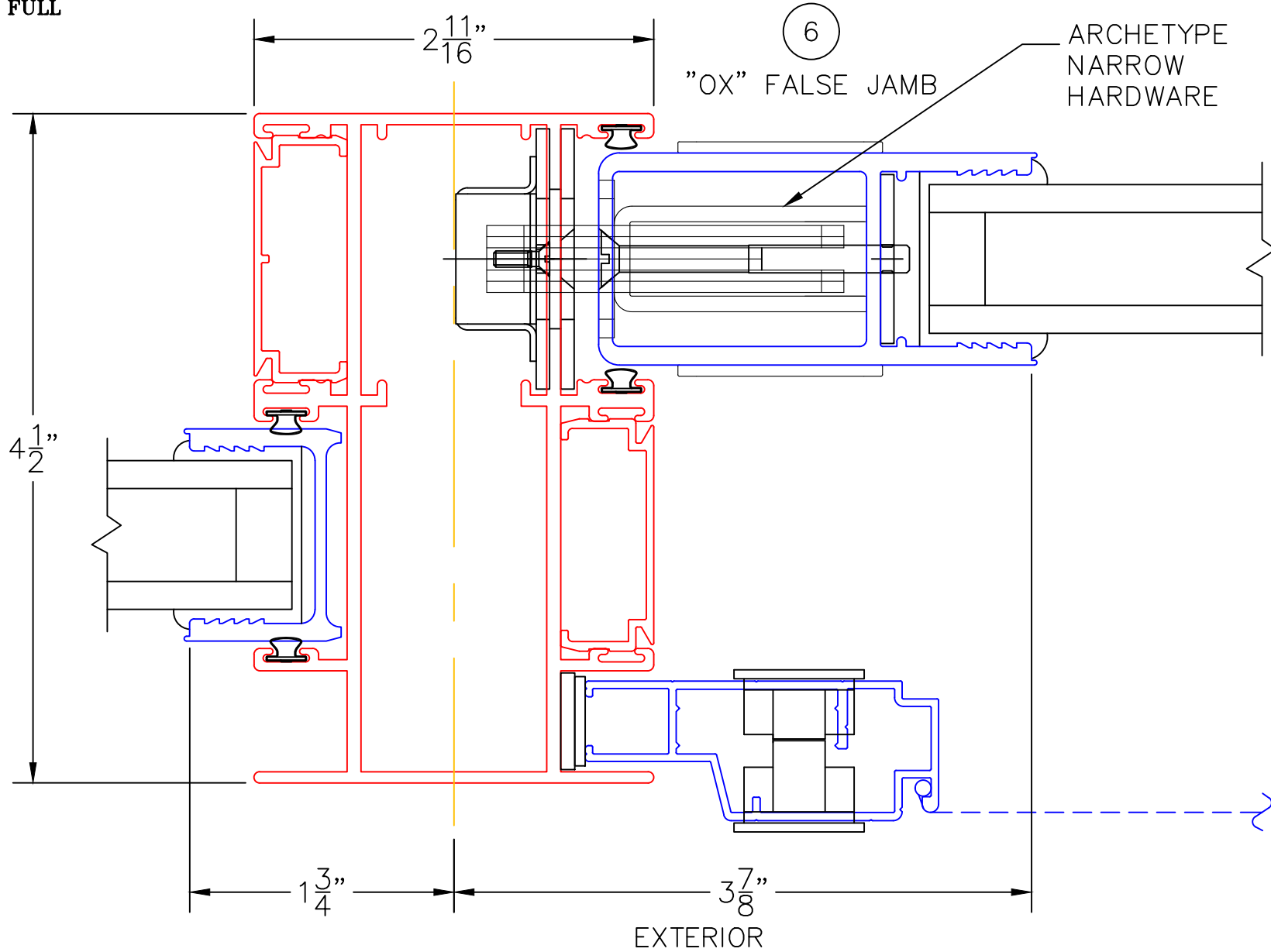
④
STANDARD
INTERLOCKERS

⑤
NAIL-ON
FIXED JAMB



0 0.5 1
(USE RULER TO SCALE DIMENSIONS IN INCHES)
SCALE: FULL

SLIDING DOOR DETAILS
1" INSULATED GLAZING SHOWN

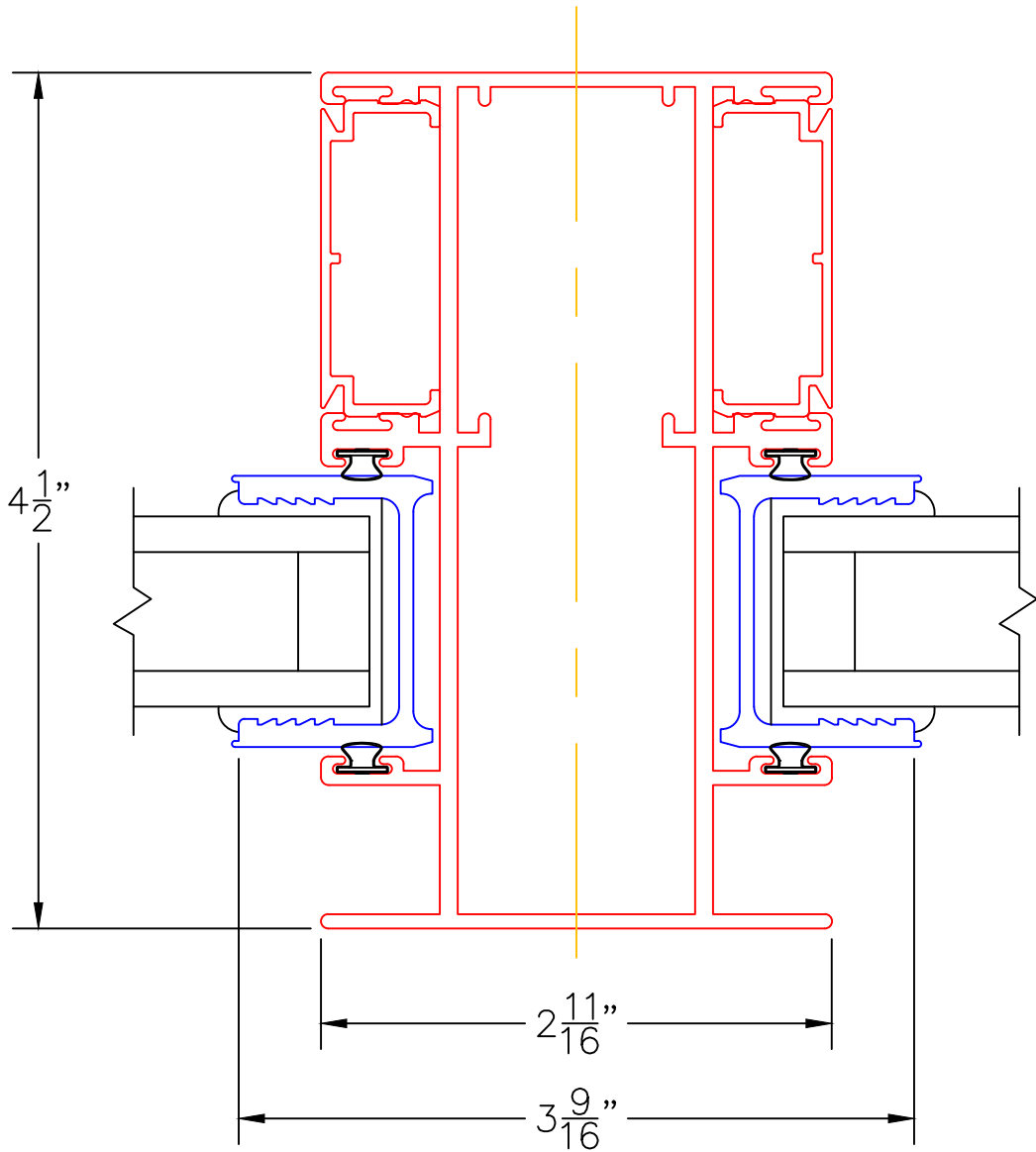


0 0.5 1
(USE RULER TO SCALE DIMENSIONS IN INCHES)
SCALE: FULL

SLIDING DOOR DETAILS
1" INSULATED GLAZING SHOWN

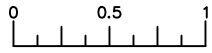
7

"00"
FALSE JAMB



EXTERIOR

SLIDING DOOR DETAILS 1" INSULATED GLAZING SHOWN



(USE RULER TO SCALE DIMENSIONS IN INCHES)

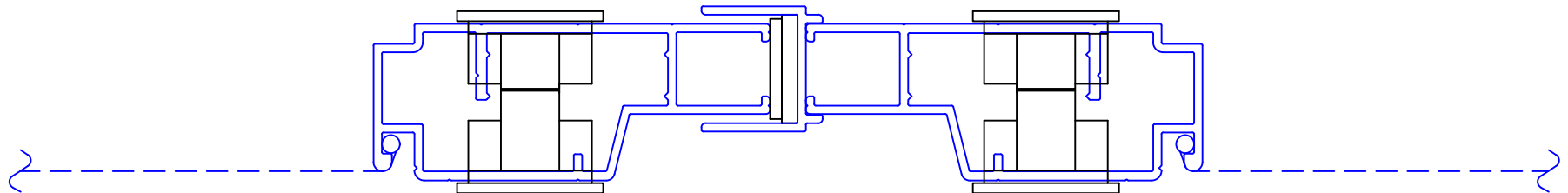
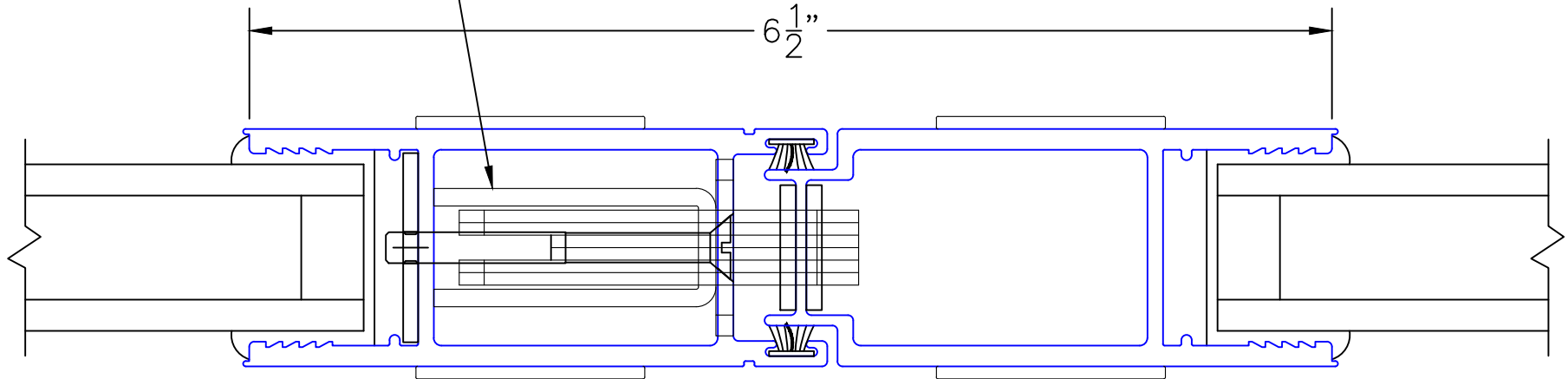
SCALE: FULL

8

MEETING STILES

ARCHETYPE NARROW
HARDWARE

6 1/2"



EXTERIOR

0 0.5 1
(USE RULER TO SCALE DIMENSIONS IN INCHES)
SCALE: FULL

SLIDING DOOR DETAILS
1" INSULATED GLAZING SHOWN

9

MUNTIN BAR

EXTERIOR

