

# ASSEMBLY / PARTS LIST (B.O.M.)

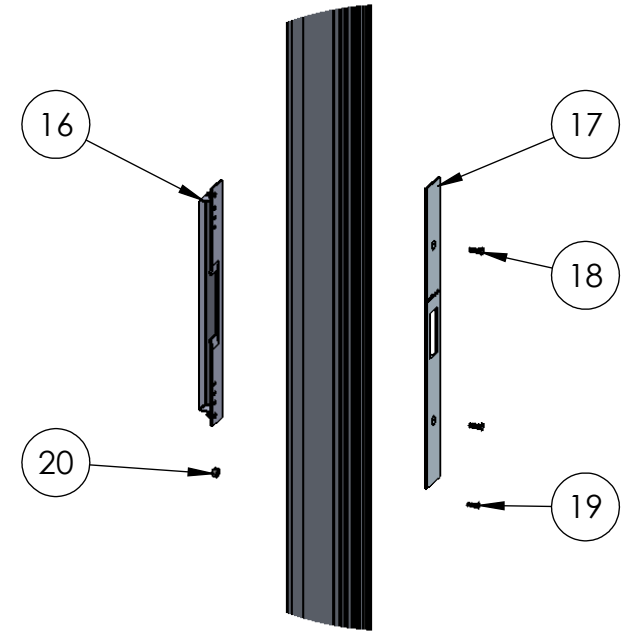
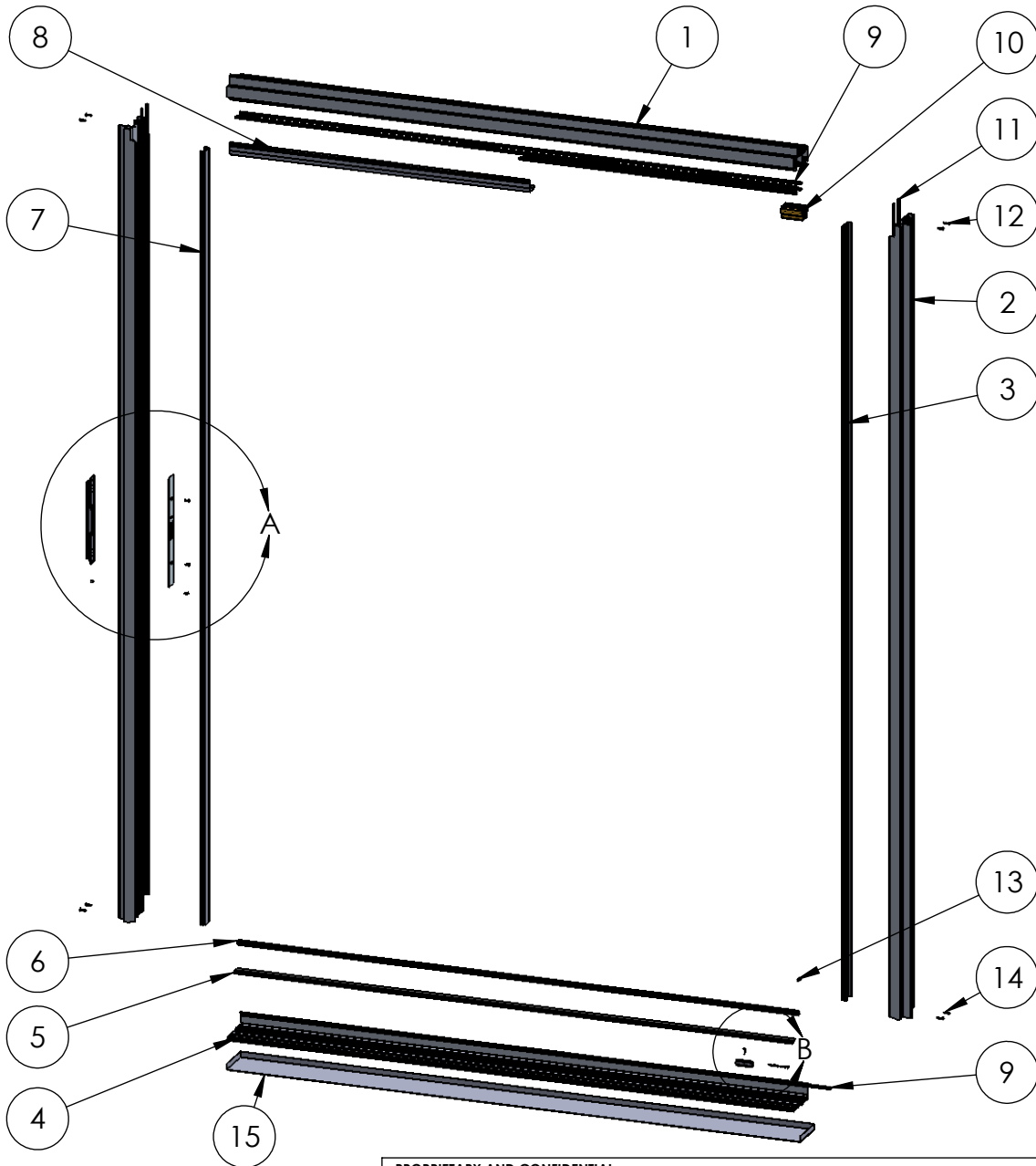
SEIRES: 3000-T  
 CONFIGURATION: XO



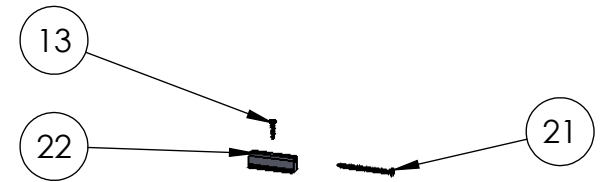
ITEM NO.	DESCRIPTION	PAGE #.
1	Frame Assembly	2-3
2	X-Panel Assembly	4-5
3	O Panel Assembly	6
4	Screen Assembly	7

Description Table of Contents	
File Name Series 3000-T, XO With Screen Assembly	REV
Released 10/24/2017	SHEET 1 OF 7

# ASSEMBLY / PARTS LIST (B.O.M.)



DETAIL A  
 SCALE 1:8



DETAIL B  
 SCALE 1:8

**PROPRIETARY AND CONFIDENTIAL**  
 THE INFORMATION CONTAINED IN THIS DRAWING IS THE SOLE PROPERTY OF FLEETWOOD WINDOWS & DOORS.  
 ANY REPRODUCTION IN PART OR AS A WHOLE WITHOUT THE WRITTEN PERMISSION OF FLEETWOOD WINDOWS & DOORS IS PROHIBITED.

Description	
Frame Assembly	
File Name	REV
Series 3000-T, XO With Screen Assembly	
Released 10/24/2017	SHEET 2 OF 7

# ASSEMBLY / PARTS LIST (B.O.M.)

## EXTRUSIONS

ITEM NO.	PART NUMBER	DESCRIPTION	QTY.
1	3095	Nail-On Head	1
2	3096	Nail-on Jamb Thermal	2
3	3102	Interior Jamb Filler (X-Panel Track)	1
4	3062	Sill	1
5	BL801	PVC Sill Filler	1
6	FW1020	Standard Stainless Steel Track Insert .5625	1
7	3016	Exterior Jamb Filler (O-Panel Track)	1
8	3011	Head Filler/Closer	1

## HARDWARE

ITEM NO.	PART NUMBER	DESCRIPTION	QTY.
9	19118	Small Fin Seal Mohair (23027045BKGB)	5
10	24101	Bumper, Sliding Door Head Installation	1
11	25757	Q-Lon Foam Seal (Q200T270)	4
12	20347	#10 PHP - A, 0.75 in, SS, Clear	4
13	20312	#8 PHP - TEK, 3/4", SS, Clear	2
14	20347	#10 PHP, 0.75" SS, Clear	4
15	-	Sillpan	1
16	24069	Backup Plate (With Dust Cover)	1
17	24067	Strike Plate	1
18	20278	#10-32 FHP-B-UC, 9/16", SS clear	2
19	25497	#8-32 FHP,UC, 1/2",SS	1
20	25498	#8-32 Nut with Nylon-Insert Hex Locknut,SS	1
21	20404	#10 OH - A, 2.5, Zinc,Gold	1
22	20502	Sill Block (M607, 20483)	1

Description  
Frame Assembly B.O.M.

File Name  
Series 3000-T, XO With  
Screen Assembly

REV

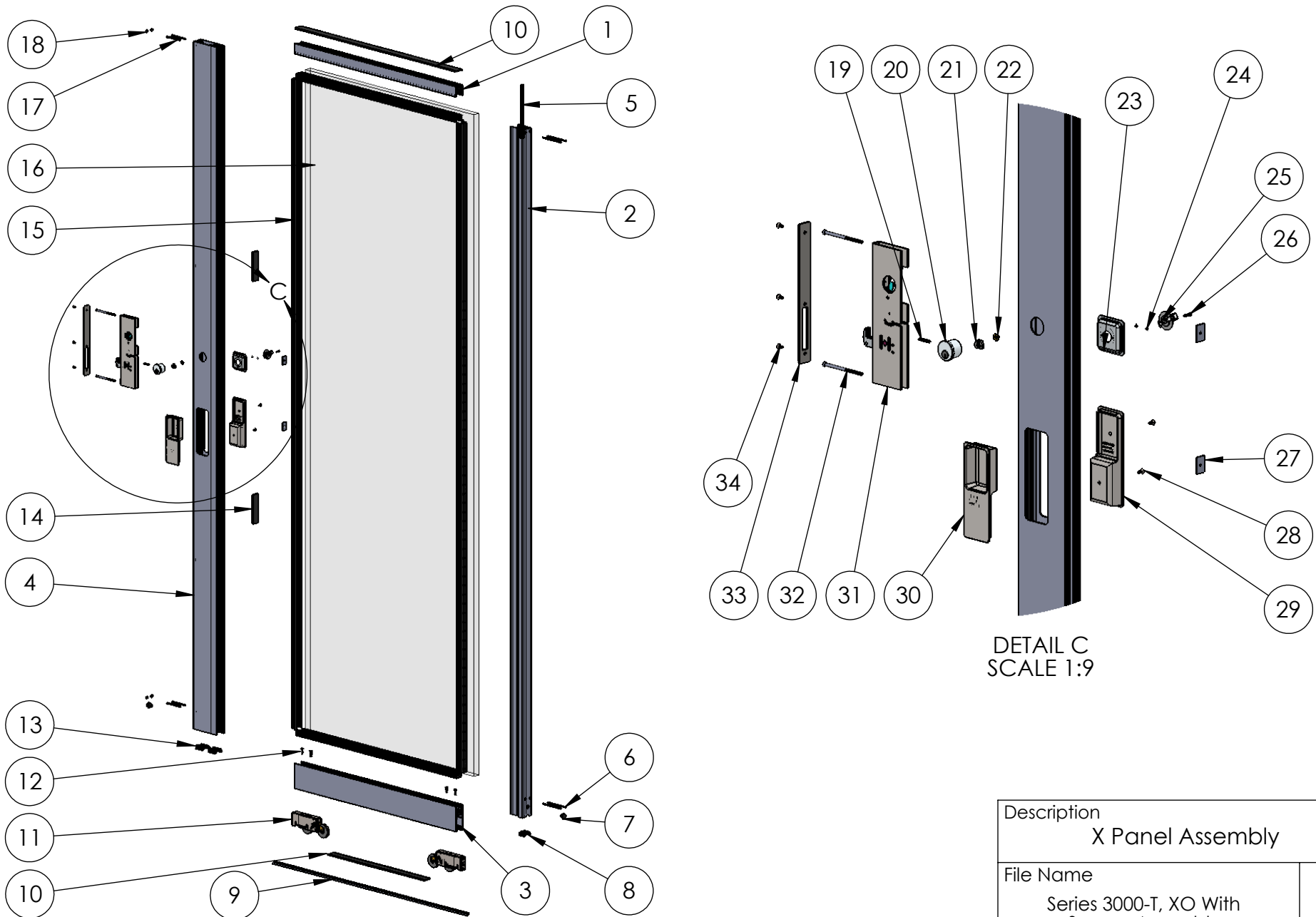
Released 10/24/2017

SHEET 3 OF 7

**PROPRIETARY AND CONFIDENTIAL**

THE INFORMATION CONTAINED IN THIS DRAWING IS THE SOLE PROPERTY OF FLEETWOOD WINDOWS & DOORS.  
ANY REPRODUCTION IN PART OR AS A WHOLE WITHOUT THE WRITTEN PERMISSION OF FLEETWOOD WINDOWS & DOORS IS PROHIBITED.

# ASSEMBLY / PARTS LIST (B.O.M.)



DETAIL C  
SCALE 1:9

**PROPRIETARY AND CONFIDENTIAL**  
THE INFORMATION CONTAINED IN THIS DRAWING IS THE SOLE PROPERTY OF FLEETWOOD WINDOWS & DOORS.  
ANY REPRODUCTION IN PART OR AS A WHOLE WITHOUT THE WRITTEN PERMISSION OF FLEETWOOD WINDOWS & DOORS IS PROHIBITED.

Description X Panel Assembly	
File Name Series 3000-T, XO With Screen Assembly	REV
Released 10/24/2017	SHEET 4 OF 7

# ASSEMBLY / PARTS LIST (B.O.M.)

EXTRUSIONS			
ITEM NO.	PART NUMBER	DESCRIPTION	XO/Q TY.
1	3075	Thermal Top Rail	1
2	3727	Thermal Interlocker Sliding	1
3	3077	Sliding Bottom Rail DG	1
4	3776	Thermal Lock Stile (Archetype)	1
HARDWARE			
ITEM NO.	PART NUMBER	DESCRIPTION	XO/Q TY.
5	19117	Large Fin Seal Mohair (29027045BKGB)	1
6	25483	#8 FHP - A, 3.5 in, SS, Clear	4
7	20635	Small Round Panel Plug (All Doors)	2
8	19141	15/16" Bottom Vent Clip 3015 Weather Strip Insert (3779)	1
9	19064	Sill, Wipe, Bottom Vinyl, BL-122	1
10	BL798	PVC Rail Spreader	2
11	20514	Precision Roller Assy	2
12	20305	1/4-20 FHP - B, 3/4", SS Clear	4
13	24770	Bottom Vent Clip Weatherstrip Insert	2
14	18620	Setting Block 4" x 1/4"x1"	2
15	22909	1 inch Glazing Vinyl (Shown)	1
16	-	Glass	1
17	20329	#8 PHP - A, 2.5 in, SS, Clear	4
18	25682	Thermal Panel Plug	4
19	24935	#8-32 x 1" Set Screw ( Reg. arch. Cyl. )	1
20	25356, 24782	Archetype Keyed Cylinder (SS) (KA,KD) (with Cam/Bushing/Screw)	1
21	24780	Cam - (for the Archetype Key Cylinder)	1

HARDWARE			
ITEM NO.	PART NUMBER	DESCRIPTION	XO/Q TY.
22	24781	Brass Bushing - Key Cylinder Reg. Arch.	1
23	24767	Archetype Actuator Pocket, XO, SS	1
24	24074	#4-40 FHP, UC, 1/8", SS, Clear	2
25	24079, 24766	Archetype Actuator (Black, SS)	1
26	24072, 24094	#6-32, Hex Socket Head Cap, Self Locking, 1/2", SS (Clear, Black)	1
27	18671	Back Up Plate # 10-32 x 0.075 Thk.	2
28	26049, 25325	#8-32 FHS - B, 0.375 in, SS, (Clear, Black)	2
29	24089, 24091	Archetype Handle, Inside, with Gasket (117-338)	1
30	24090, 24092	Archetype Handle, Outside, with Gasket (117-338)	1
31	24077	Archetype XO Primary Latch, RH Latch	1
32	25560	#10-32 FHP - B, 3.375 in (Actual size 3.312 in) , SS, Clear	2
33	24075	117-311, Archetype Primary Latch(Face) Plate, Cover	1
34	24076	#8-32 FHS, 3/8" Long, Hex Countersunk Screw (Stainless Steel)	3

Description  
X-Panel Assembly B.O.M.

File Name  
Series 3000-T, XO With Screen Assembly

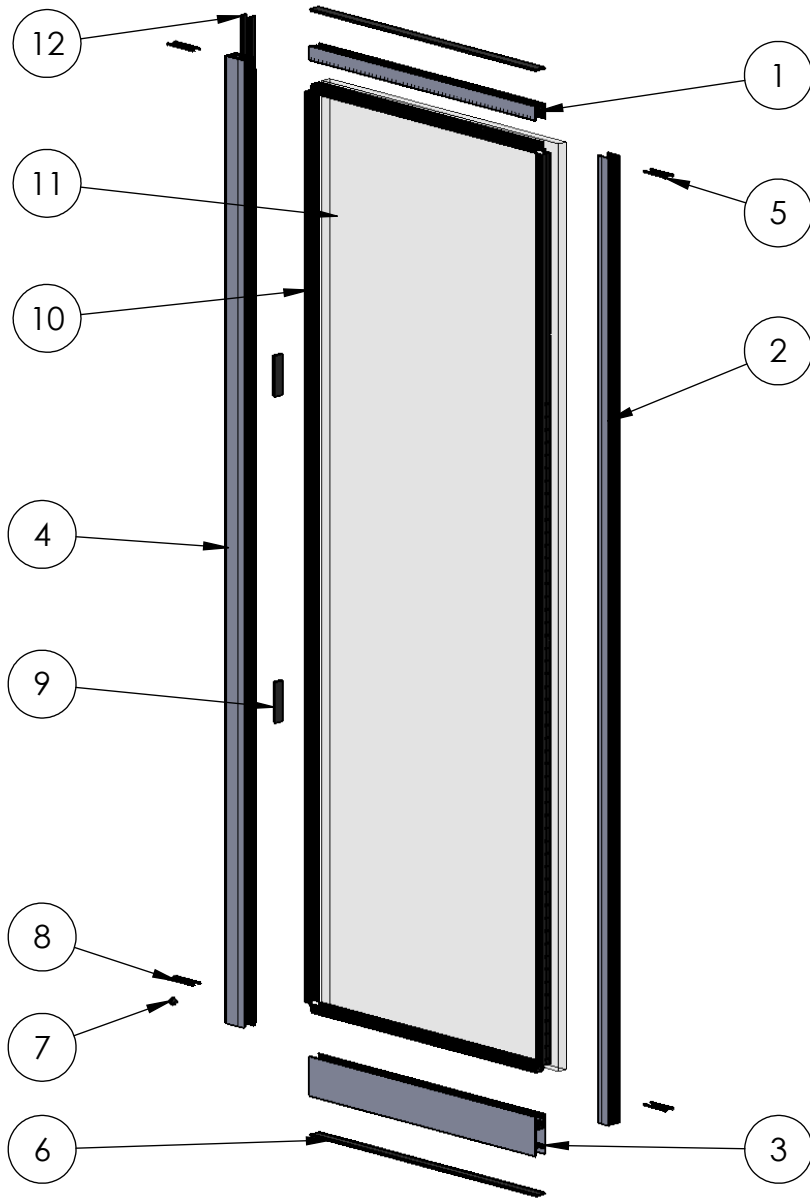
REV

Released 10/24/2017 SHEET 5 OF 7

**PROPRIETARY AND CONFIDENTIAL**

THE INFORMATION CONTAINED IN THIS DRAWING IS THE SOLE PROPERTY OF FLEETWOOD WINDOWS & DOORS.  
ANY REPRODUCTION IN PART OR AS A WHOLE WITHOUT THE WRITTEN PERMISSION OF FLEETWOOD WINDOWS & DOORS IS PROHIBITED.

# ASSEMBLY / PARTS LIST (B.O.M.)



## EXTRUSIONS

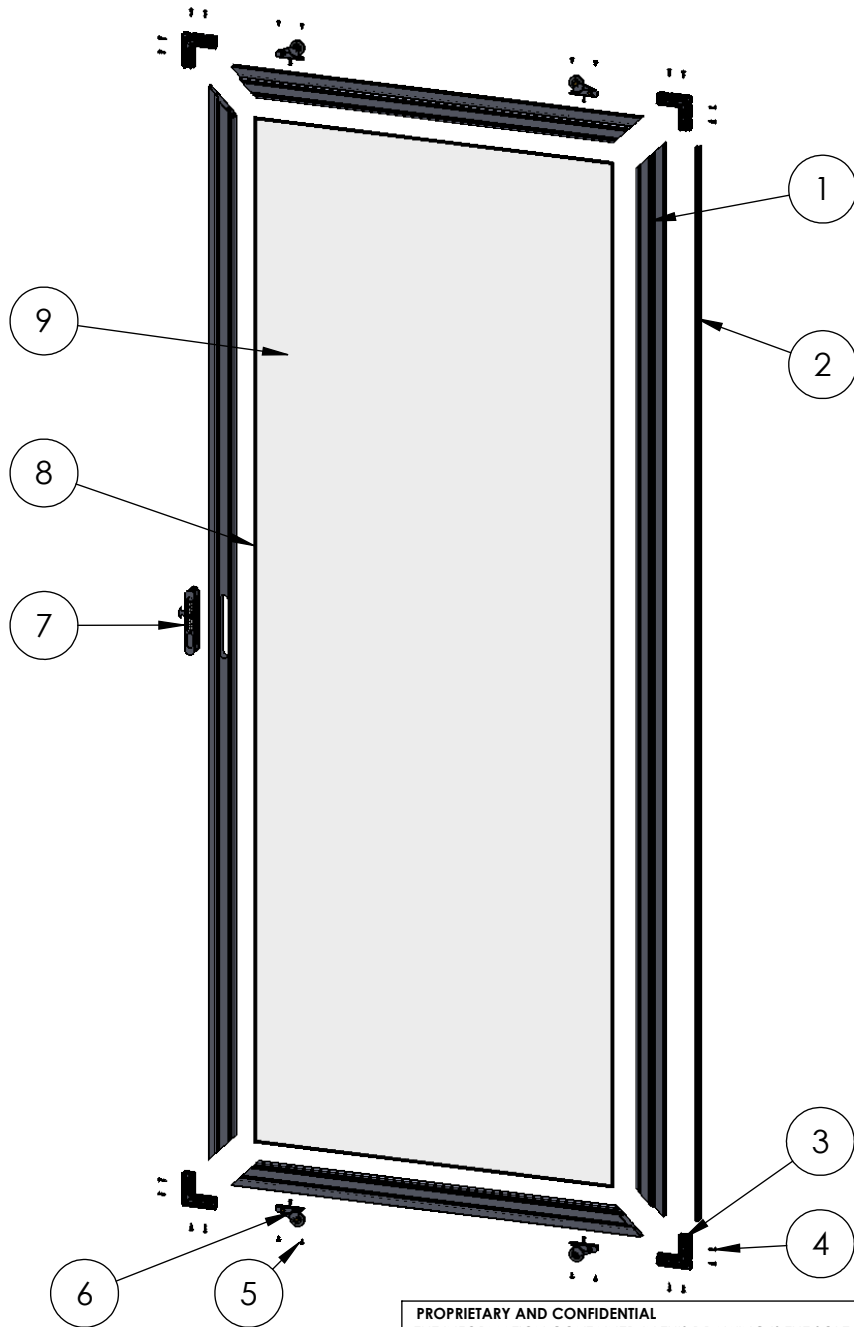
ITEM NO.	PART NUMBER	DESCRIPTION	Right/ QTY.
1	3075	Thermal Top Rail	1
2	3073	Fixed Stile DG	1
3	3076	Fixed Bottom Rail	1
4	3728	Thermal Interlocker Fixed	1

## HARDWARE

ITEM NO.	PART NUMBER	DESCRIPTION	Right/ QTY.
5	20332	#8 PHP - A, 3 in, SS, Clear	4
6	BL798	PVC Rail Spreader	2
7	20635	Small Round Panel Plug (All Doors)	1
8	25483	#8 FHP - A, 3.5 in, SS, Clear	4
9	18620	Setting Block 4" x 1/4"x1"	2
10	22909	1 inch Glazing Vinyl (Shown)	1
11	-	Glass	1
12	20516	X-Large Fin Seal Weatherstrip (50027045BKGB)	2

Description O-Panel Assembly	
File Name Series 3000-T, XO With Screen Assembly	REV
Released 10/24/2017	SHEET 6 OF 7

# ASSEMBLY / PARTS LIST (B.O.M.)



EXTRUSIONS			
ITEM NO.	PART NUMBER	DESCRIPTION	QTY.
1	145	Screen Extrusion	4
HARDWARE			
ITEM NO.	PART NUMBER	DESCRIPTION	QTY.
2	20531	Bug Wipe Screen 1000, 3000	1
3	20489	Screen Corner Door B1240	4
4	20955	#8 PHP - A, 5/8, SS, Clear	16
5	20225	#6 PHP - TEK, 3/8", SS, Clear	8
6	22905	Screen Roller, 1.25" dia., Stainless Steel	4
7	20474	Screen Handle	1
8	19130	Screen Rubber Spline .160	1
9	-	Screen Mesh	1

**NOTES:**

1. Include 18915 Screen Strike Kit.

**PROPRIETARY AND CONFIDENTIAL**

THE INFORMATION CONTAINED IN THIS DRAWING IS THE SOLE PROPERTY OF FLEETWOOD WINDOWS & DOORS. ANY REPRODUCTION IN PART OR AS A WHOLE WITHOUT THE WRITTEN PERMISSION OF FLEETWOOD WINDOWS & DOORS IS PROHIBITED.

Description Screen Panel Assembly	
File Name Series 3000-T, XO With Screen Assembly	REV
Released 10/24/2017	SHEET 7 OF 7