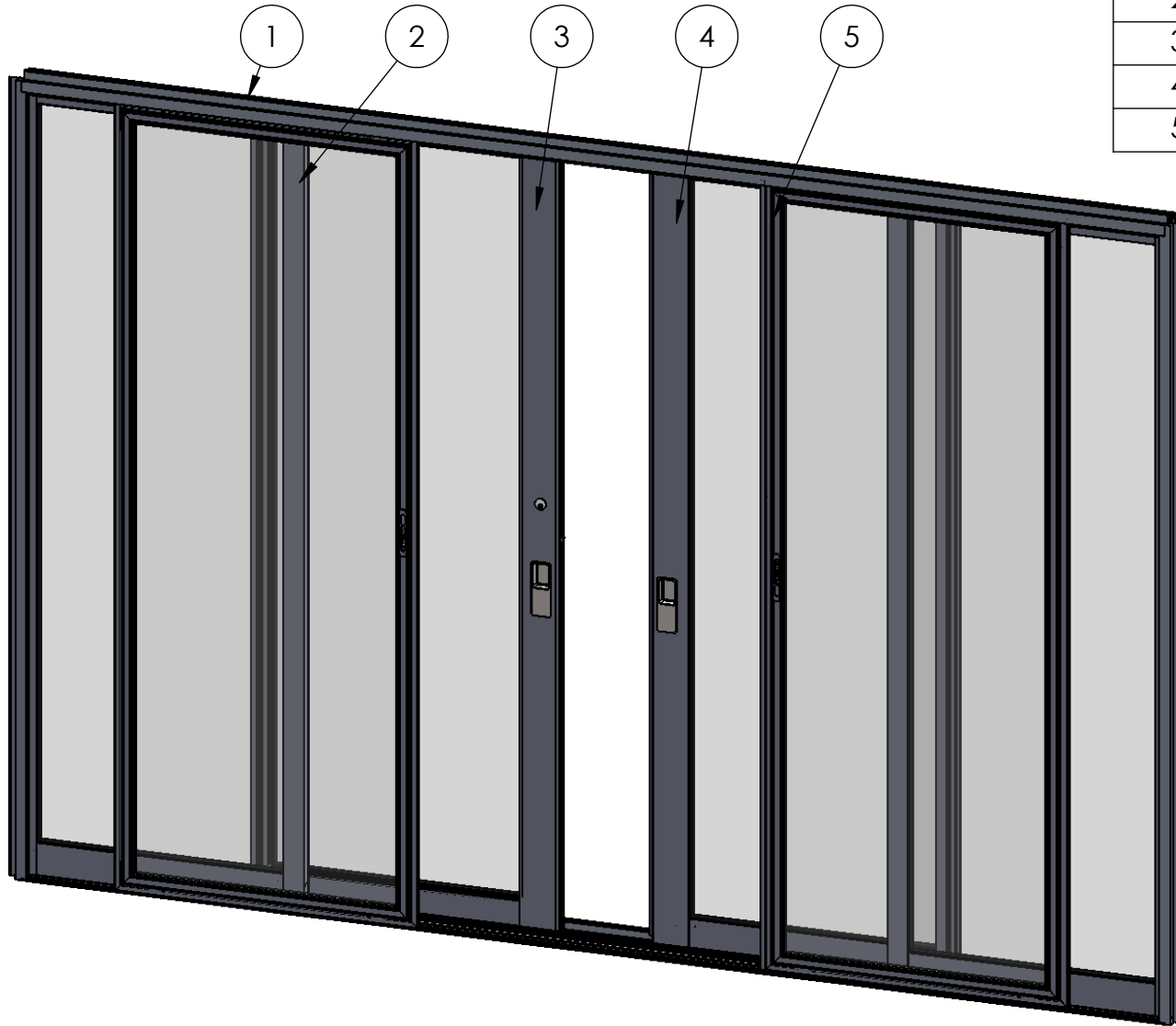


ASSEMBLY / PARTS LIST (B.O.M.)

SERIES: 3000-T
CONFIGURATION: OXIXO

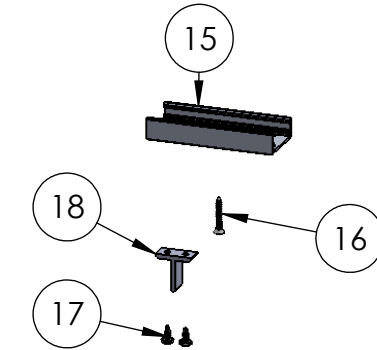
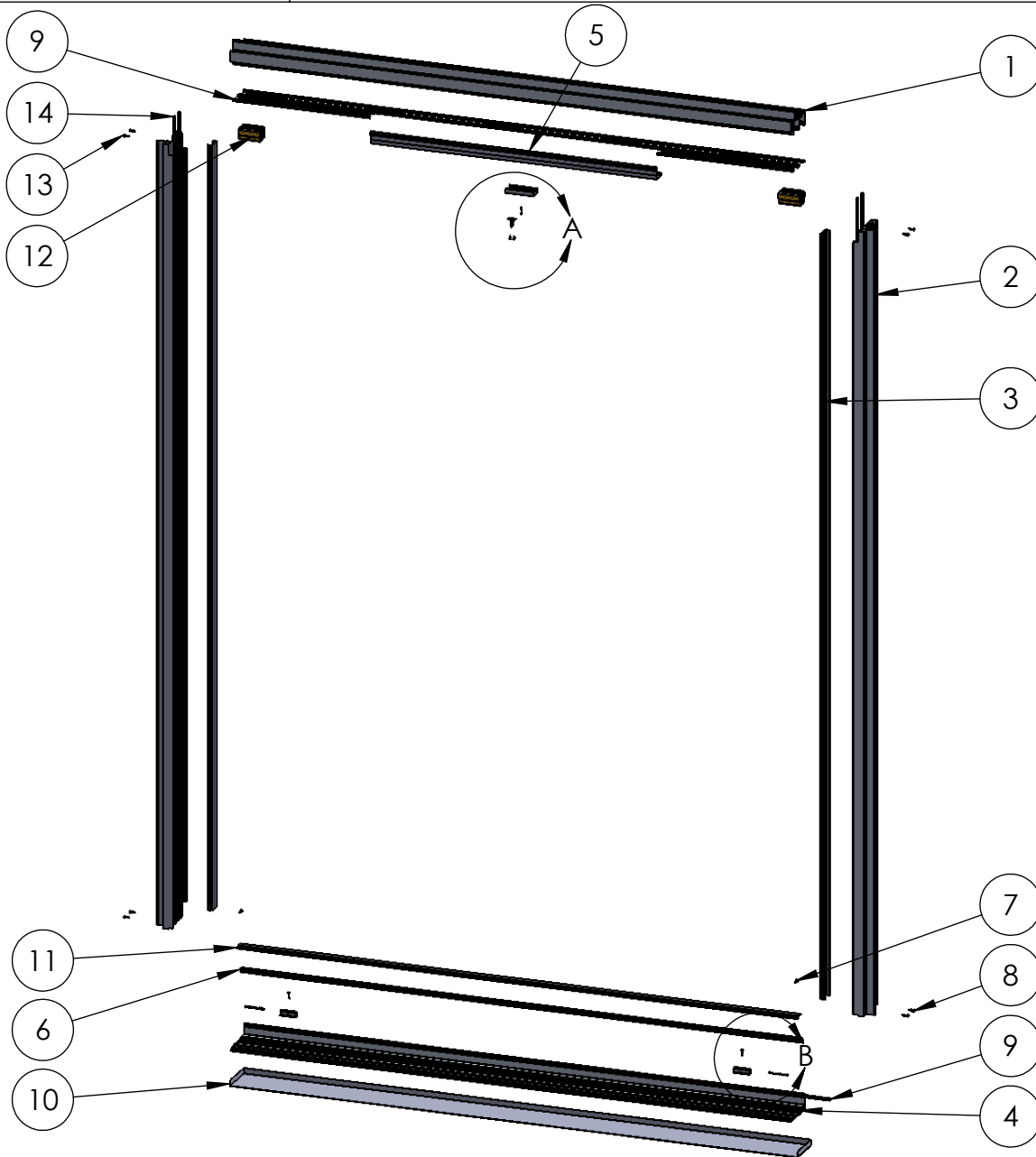


ITEM NO.	DESCRIPTION	PAGE #
1	Frame Assembly	2-3
2	O-Panel Assembly	4
3	XI-Panel Assembly	5-6
4	IX-Panel Assembly	7-8
5	Screen Assembly	9

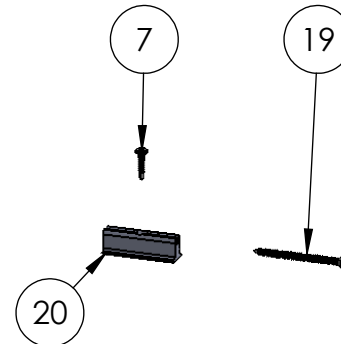
NOTES:
 1. Two O-Panels and two Screen Panels shown in configuration.

Description Table of Contents	
File Name Series 3000-T, OXIXO With Screen Assembly	REV
Released 10/24/2017	SHEET 1 OF 9

ASSEMBLY / PARTS LIST (B.O.M.)



DETAIL A
SCALE 1:5



DETAIL B
SCALE 1:5

NOTES:

1. Frame Assembly scaled down to show detail.

Description	
Frame Assembly	
File Name	REV
Series 3000-T, OXIXO With Screen Assembly	
Released	10/24/2017
SHEET 2 OF 9	

ASSEMBLY / PARTS LIST (B.O.M.)

EXTRUSIONS

ITEM NO.	PART NUMBER	DESCRIPTION	QTY.
1	3095	Nail-On Head	1
2	3096	Nail-on Jamb Thermal	2
3	3102	Interior Jamb Filler (X-Panel Track)	2
4	3062	Thermal Sill	1
5	3011	Head Filler/Closer	1
6	FW1020	Stainless steel Track - 9/16" (Sliding Doors)	1

HARDWARE

ITEM NO.	PART NUMBER	DESCRIPTION	QTY.
7	20312	#8 PHP - TEK, 3/4", SS, Clear	4
8	20347	#10 PHP, 0.75" SS, Clear	4
9	19118	Large Fin Seal (29027045bkqb)(7578)	7
10	-	Sillpan	1
11	BL801	PVC Sill Filler	1
12	24101	Bumper, Sliding Door Head Installation	2
13	20347	#10 PHP - A, 0.75 in, SS, Clear	4
14	25757	Q-Lon Foam Seal (Q200T270)	4
15	24098	Head Anti Lift	1
16	20247	#8, FHP - A Screw, 1 in, SS, Clear	1
17	20225	#6 PHP - TEK, 3/8", SS, Clear	2
18	25565	T-Clip Screen Stop	1
19	20404	#10 OH - A, 2.5, Zinc, Gold	2
20	20502	Sill Block (M607, 20483)	2

Description
Frame Assembly B.O.M.

File Name
Series 3000-T, OXIXO With
Screen Assembly

REV

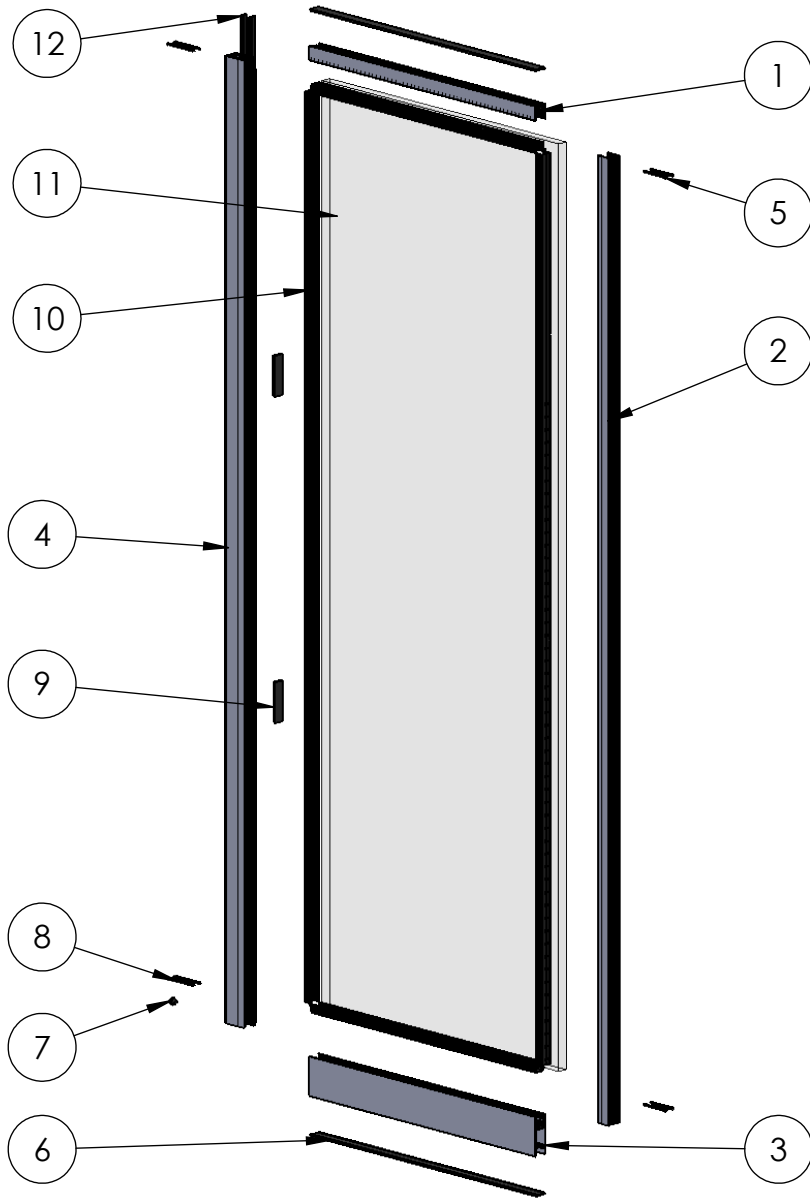
PROPRIETARY AND CONFIDENTIAL

THE INFORMATION CONTAINED IN THIS DRAWING IS THE SOLE PROPERTY OF FLEETWOOD WINDOWS & DOORS.
ANY REPRODUCTION IN PART OR AS A WHOLE WITHOUT THE WRITTEN PERMISSION OF FLEETWOOD WINDOWS & DOORS IS PROHIBITED.

Released 10/24/2017

SHEET 3 OF 9

ASSEMBLY / PARTS LIST (B.O.M.)



EXTRUSIONS

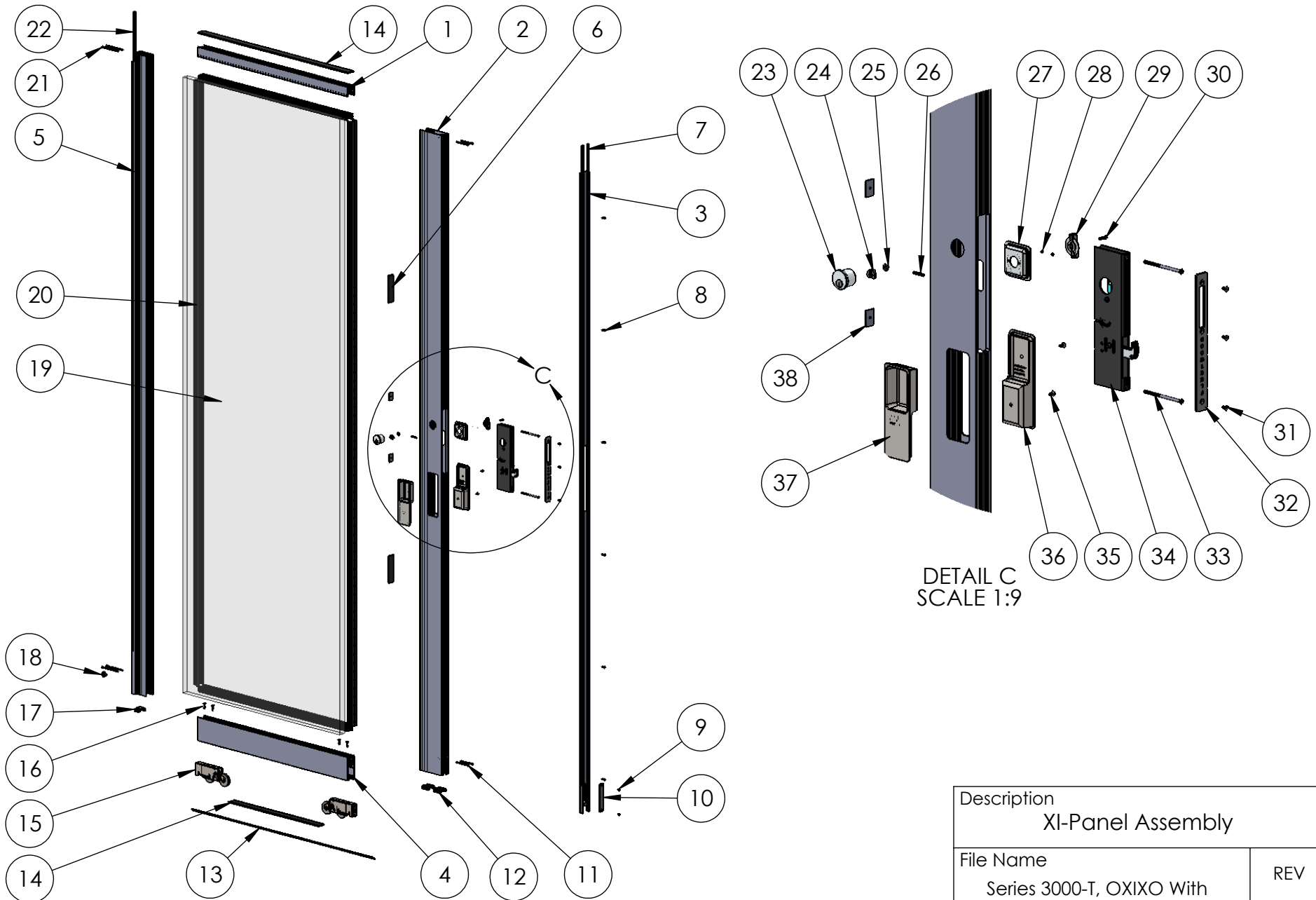
ITEM NO.	PART NUMBER	DESCRIPTION	Right/ QTY.
1	3075	Thermal Top Rail	1
2	3073	Fixed Stile DG	1
3	3076	Fixed Bottom Rail	1
4	3728	Thermal Interlocker Fixed	1

HARDWARE

ITEM NO.	PART NUMBER	DESCRIPTION	Right/ QTY.
5	20332	#8 PHP - A, 3 in, SS, Clear	4
6	BL798	PVC Rail Spreader	2
7	20635	Small Round Panel Plug (All Doors)	1
8	25483	#8 FHP - A, 3.5 in, SS, Clear	4
9	18620	Setting Block 4" x 1/4"x1"	2
10	22909	1 inch Glazing Vinyl (Shown)	1
11	-	Glass	1
12	20516	X-Large Fin Seal Weatherstrip (50027045BKGB)	2

Description O-Panel Assembly	
File Name Series 3000-T, OXIXO With Screen Assembly	REV
Released 10/24/2017	SHEET 4 OF 9

ASSEMBLY / PARTS LIST (B.O.M.)



PROPRIETARY AND CONFIDENTIAL
THE INFORMATION CONTAINED IN THIS DRAWING IS THE SOLE PROPERTY OF FLEETWOOD WINDOWS & DOORS.
ANY REPRODUCTION IN PART OR AS A WHOLE WITHOUT THE WRITTEN PERMISSION OF FLEETWOOD WINDOWS & DOORS IS PROHIBITED.

Description XI-Panel Assembly	
File Name Series 3000-T, OXIXO With Screen Assembly	REV
Released 10/24/2017	SHEET 5 OF 9

ASSEMBLY / PARTS LIST (B.O.M.)

EXTRUSIONS			
ITEM NO.	PART NUMBER	DESCRIPTION	QTY.
1	3075	Thermal Top Rail	1
2	3776	Thermal Lock Stile (Archetype)	1
3	3040	Female Yoke	1
4	3077	Sliding Bottom Rail DG	1
5	3727	Thermal Interlocker Sliding	1
HARDWARE			
ITEM NO.	PART NUMBER	DESCRIPTION	QTY.
6	18620	Setting Block 4" x 1/4"x1"	2
7	19118	Small Fin Seal Mohair (23027045BKGB)	2
8	20314	#8 PHP-A Screw, .75 in, SS, Clear	6
9	20240	#8 FHP - A - UC, .5 in, SS, Clear	2
10	25035	Meeting Stile Bumper Cover Plate	1
11	20329	#8 PHP - A, 2.5 in, SS, Clear	4
12	24770	Bottom Vent Clip Weatherstrip Insert	2
13	19064	Sill, Wipe, Bottom Vinyl, BL-122	1
14	BL798	PVC Rail Spreader	2
15	20514	Precision Roller Assy	2
16	20305	1/4-20 FHP - B, 3/4", SS Clear	4
17	19141	15/16" Bottom Vent Clip 3015 Weather Strip Insert (3779)	1
18	20635	Small Round Panel Plug (All Doors)	1
19	-	Glass	1
20	22909	1 inch Glazing Vinyl (Shown)	1
21	25483	#8 FHP - A, 3.5 in, SS, Clear	4
22	19117	Large Fin Seal Mohair (29027045BKGB)	1
23	25356, 24782	Archetype Keyed Cylinder (SS) (KA,KD) (with Cam/Bushing/Screw)	1
24	24780	Cam - (for the Archetype Key Cylinder)	1

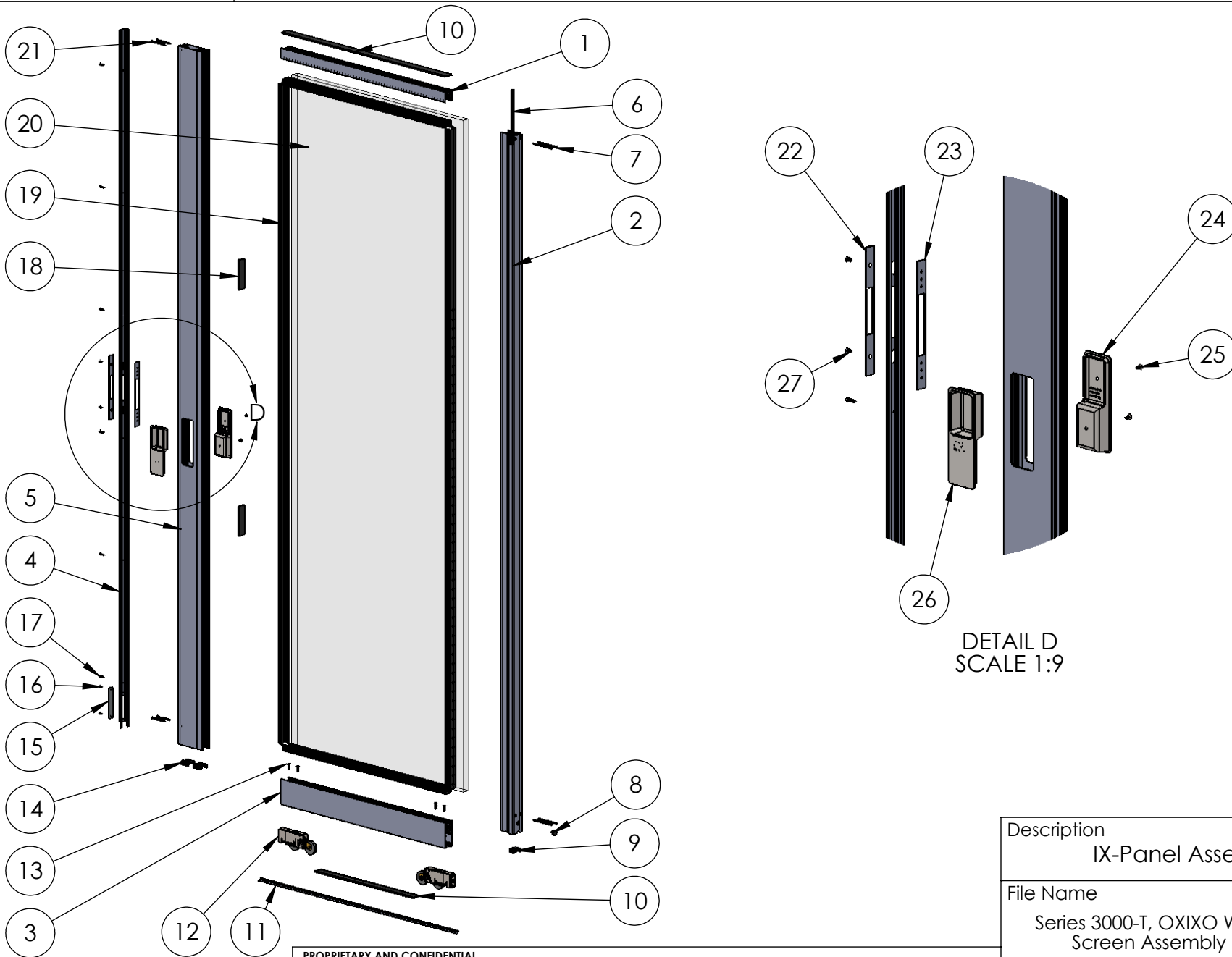
HARDWARE			
ITEM NO.	PART NUMBER	DESCRIPTION	QTY.
25	24781	Brass Bushing - Key Cylinder Reg. Arch.	1
26	24935	#8-32 x 1" Set Screw (Reg. arch. Cyl.)	1
27	24767	Archetype Actuator Pocket, XO, SS	1
28	24074	#4-40 FHP, UC, 1/8", SS, Clear	2
29	24079, 24766	Archetype Actuator (Black, SS)	1
30	24072, 24094	#6-32, Hex Socket Head Cap, Self Locking, 1/2", SS (Clear, Black)	1
31	24076	#8-32 FHS, 3/8" Long, Hex Countersunk Screw (Stainless Steel)	3
32	24075	117-311, Archetype Primary Latch(Face) Plate, Cover	1
33	25560	#10-32 FHP - B, 3.375 in (Actual size 3.312 in) , SS, Clear	2
34	24070	OX Primary Latch	1
35	26049, 25325	#8-32 FHS - B, 0.375 in, SS, (Clear, Black)	2
36	24089, 24091	Archetype Handle, Inside, with Gasket (117-338)	1
37	24090, 24092	Archetype Handle, Outside, with Gasket (117-338)	1
38	18671	Back Up Plate # 10-32 x 0.075 Thk.	2

Description	
XI-Panel B.O.M.	
File Name	REV
Series 3000-T, OXIXO With Screen Assembly	
Released 10/24/2017	SHEET 6 OF 9

PROPRIETARY AND CONFIDENTIAL

THE INFORMATION CONTAINED IN THIS DRAWING IS THE SOLE PROPERTY OF FLEETWOOD WINDOWS & DOORS. ANY REPRODUCTION IN PART OR AS A WHOLE WITHOUT THE WRITTEN PERMISSION OF FLEETWOOD WINDOWS & DOORS IS PROHIBITED.

ASSEMBLY / PARTS LIST (B.O.M.)



DETAIL D
SCALE 1:9

PROPRIETARY AND CONFIDENTIAL
THE INFORMATION CONTAINED IN THIS DRAWING IS THE SOLE PROPERTY OF FLEETWOOD WINDOWS & DOORS.
ANY REPRODUCTION IN PART OR AS A WHOLE WITHOUT THE WRITTEN PERMISSION OF FLEETWOOD WINDOWS & DOORS IS PROHIBITED.

Description IX-Panel Assembly	
File Name Series 3000-T, OXIXO With Screen Assembly	REV
Released 10/24/2017	SHEET 7 OF 9



ASSEMBLY / PARTS LIST (B.O.M.)

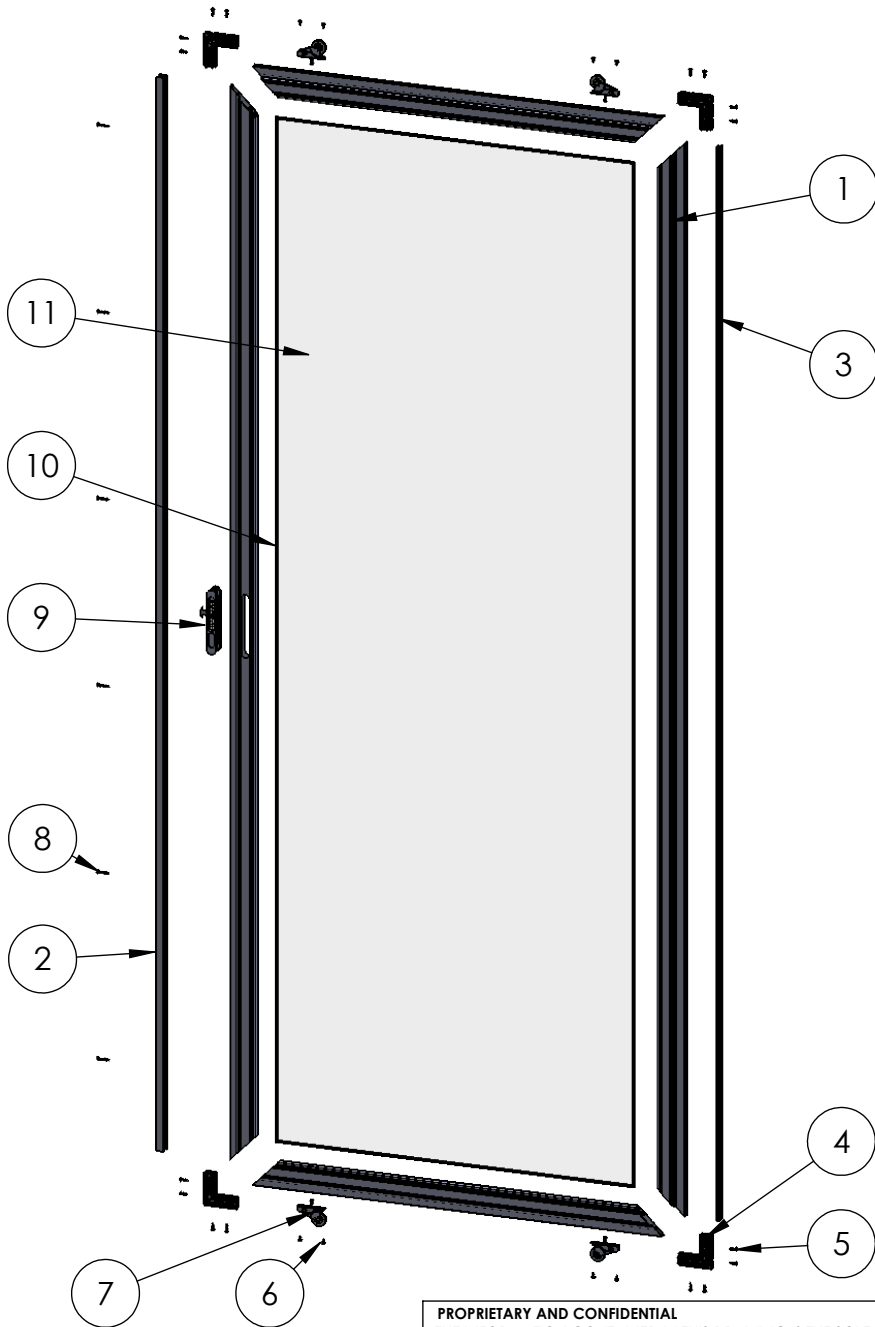
EXTRUSIONS			
ITEM NO.	PART NUMBER	DESCRIPTION	QTY.
1	3075	Thermal Top Rail	1
2	3727	Thermal Interlocker Sliding	1
3	3077	Sliding Bottom Rail DG	1
4	3039	Male Yoke	1
5	3776	Thermal Lock Stile	1
HARDWARE			
ITEM NO.	PART NUMBER	DESCRIPTION	QTY.
6	19117	Large Fin Seal Mohair (29027045BKGB)	1
7	25483	#8 FHP - A, 3.5 in, SS, Clear	4
8	20635	Small Round Panel Plug (All Doors)	1
9	19141	15/16" Bottom Vent Clip 3015 Weather Strip Insert (3779)	1
10	BL798	PVC Rail Spreader	2
11	19064	Sill, Wipe, Bottom Vinyl, BL-122	1
12	20514	Precision Roller Assy	2
13	20305	1/4-20 FHP - B, 3/4", SS Clear	4
14	24770	Bottom Vent Clip Weatherstrip Insert	2
15	25035	Meeting Stile Bumper Cover Plate	1
16	20240	#8 FHP - A - UC, .5 in, SS, Clear	2
17	20314	#8 PHP-A Screw, .75 in, SS, Clear	6
18	18620	Setting Block 4" x 1/4"x1"	2

HARDWARE			
ITEM NO.	PART NUMBER	DESCRIPTION	QTY.
19	22909	1 inch Glazing Vinyl (Shown)	1
20	-	Glass	1
21	20329	#8 PHP - A, 2.5 in, SS, Clear	4
22	24980	Strike Plate, Meeting Stile	1
23	24981	Strike Backup Plate, Meeting Stile	1
24	24089, 24091	Archetype Handle, Inside, with Gasket (117-338)	1
25	26049, 25325	#8-32 FHS - B, 0.375 in, SS, (Clear, Black)	2
26	24090, 24092	Archetype Handle, Outside, with Gasket (117-338)	1
27	20266	Screw No.10-32, Flat Undercut Head Phil.,0.375 In	2

Description IX-Panel B.O.M.	
File Name Series 3000-T, OXIXO With Screen Assembly	REV
Released 10/24/2017	SHEET 8 OF 9

PROPRIETARY AND CONFIDENTIAL
 THE INFORMATION CONTAINED IN THIS DRAWING IS THE SOLE PROPERTY OF FLEETWOOD WINDOWS & DOORS.
 ANY REPRODUCTION IN PART OR AS A WHOLE WITHOUT THE WRITTEN PERMISSION OF FLEETWOOD WINDOWS & DOORS IS PROHIBITED.

ASSEMBLY / PARTS LIST (B.O.M.)



EXTRUSIONS			
ITEM NO.	PART NUMBER	DESCRIPTION	QTY.
1	145	Screen Extrusion	4
2	1065	Screen Astragal	1
HARDWARE			
ITEM NO.	PART NUMBER	DESCRIPTION	QTY.
3	20531	Bug Wipe Screen 1000, 3000	1
4	20489	Screen Corner Door B1240	4
5	20955	#8 PHP - A, 5/8, SS, Clear	16
6	20225	#6 PHP - TEK, 3/8", SS, Clear	8
7	22905	Screen Roller, 1.25" dia., Stainless Steel	4
8	20320	#8 PHP, TEK, 1 in, SS, Clear	6
9	20474	Screen Handle	1
10	19130	Screen Rubber Spline .160	1
11	-	Screen Mesh	1

NOTES:

1. Include 18915 Screen Strike Kit.

2. Active screen panel shown. Inactive panel does not have parts 1065 and 20320.

PROPRIETARY AND CONFIDENTIAL

THE INFORMATION CONTAINED IN THIS DRAWING IS THE SOLE PROPERTY OF FLEETWOOD WINDOWS & DOORS. ANY REPRODUCTION IN PART OR AS A WHOLE WITHOUT THE WRITTEN PERMISSION OF FLEETWOOD WINDOWS & DOORS IS PROHIBITED.

Description Screen Panel Assembly	
File Name Series 3000-T, OXIXO With Screen Assembly	REV
Released 10/24/2017	SHEET 9 OF 9