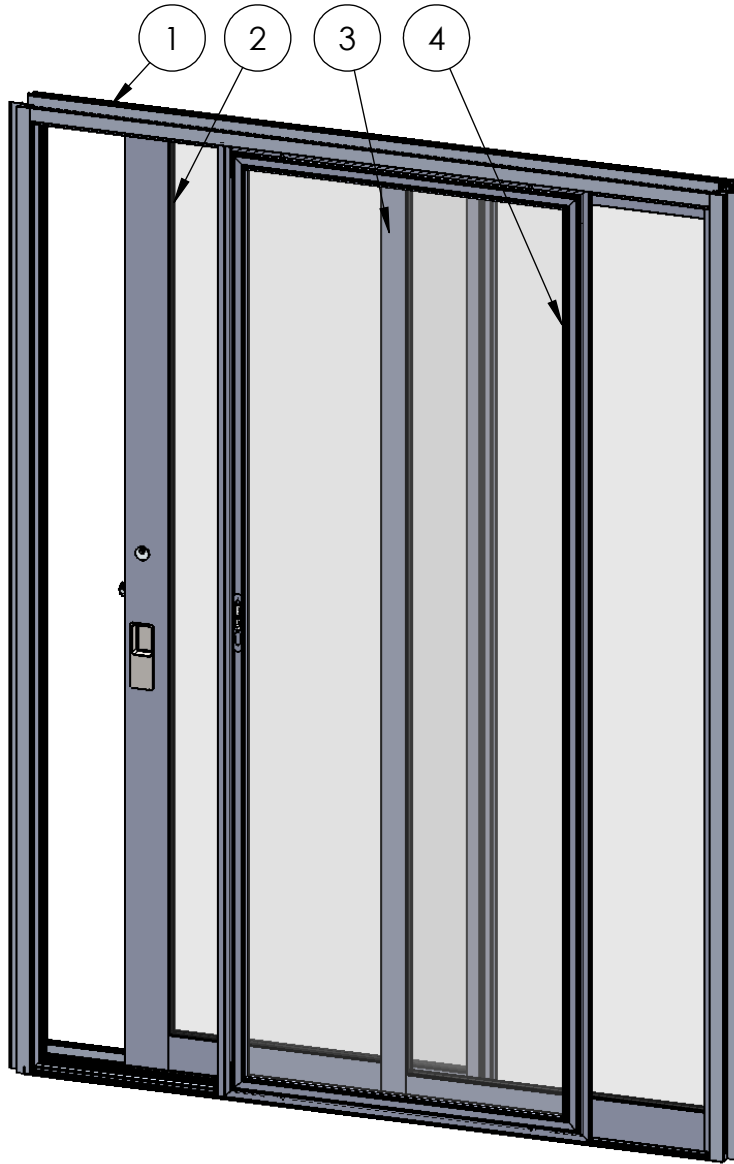


ASSEMBLY / PARTS LIST (B.O.M.)

SEIRES: 3000-T
CONFIGURATION: XO

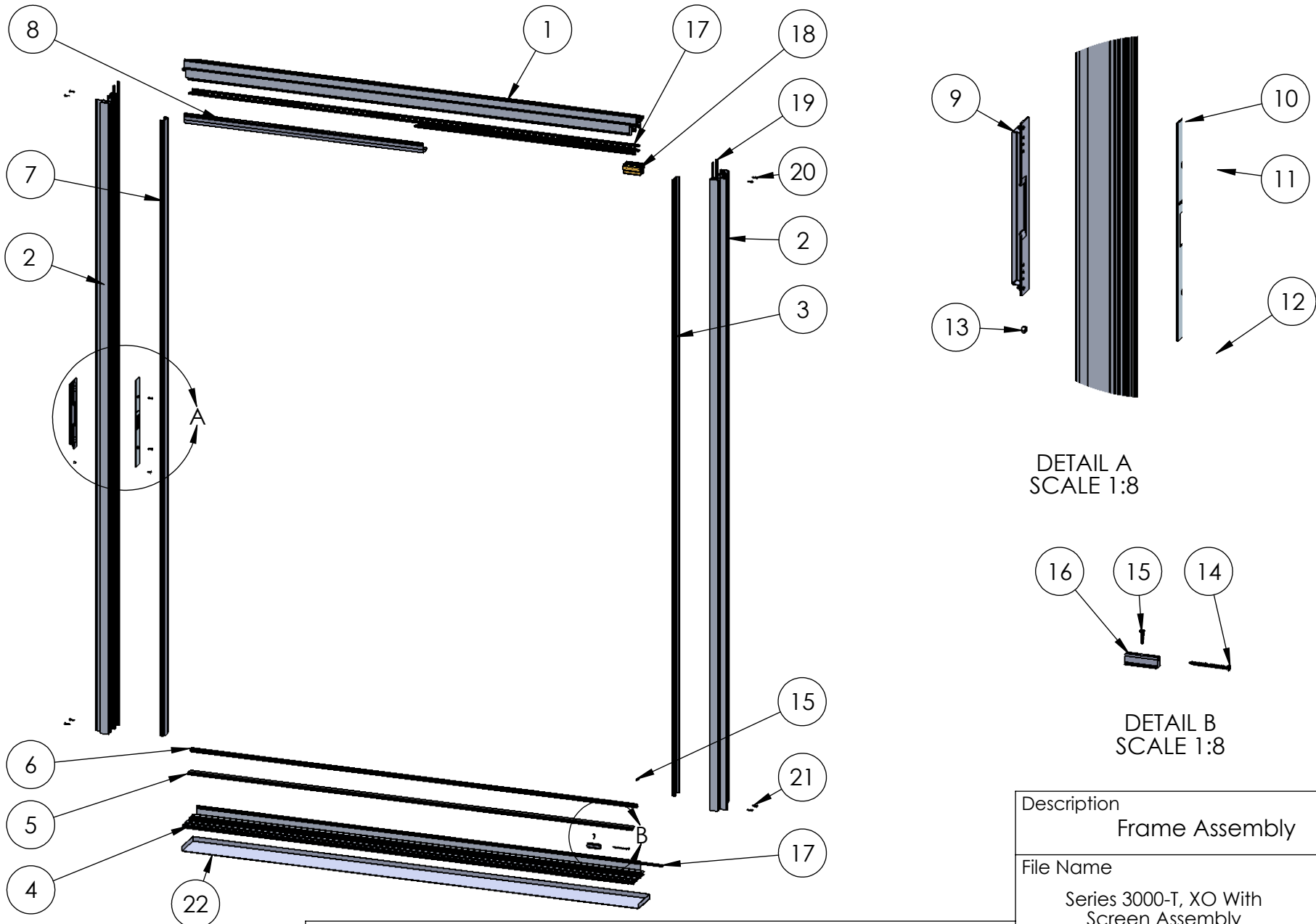


ITEM NO.	DESCRIPTION	PAGE #.
1	Frame Assembly	2-3
2	X-Panel Assembly	4-5
3	O Panel Assembly	6
4	Screen Assembly	7

Description Table of Contents	
File Name Series 3000-T, XO With Screen Assembly	REV
Released 8/27/2018	SHEET 1 OF 7

PROPRIETARY AND CONFIDENTIAL
 THE INFORMATION CONTAINED IN THIS DRAWING IS THE SOLE PROPERTY OF FLEETWOOD WINDOWS & DOORS.
 ANY REPRODUCTION IN PART OR AS A WHOLE WITHOUT THE WRITTEN PERMISSION OF FLEETWOOD WINDOWS & DOORS IS PROHIBITED.

ASSEMBLY / PARTS LIST (B.O.M.)



DETAIL A
 SCALE 1:8

DETAIL B
 SCALE 1:8

PROPRIETARY AND CONFIDENTIAL
 THE INFORMATION CONTAINED IN THIS DRAWING IS THE SOLE PROPERTY OF FLEETWOOD WINDOWS & DOORS.
 ANY REPRODUCTION IN PART OR AS A WHOLE WITHOUT THE WRITTEN PERMISSION OF FLEETWOOD WINDOWS & DOORS IS PROHIBITED.

Description	
Frame Assembly	
File Name	REV
Series 3000-T, XO With Screen Assembly	
Released	SHEET 2 OF 7
8/27/2018	

ASSEMBLY / PARTS LIST (B.O.M.)

EXTRUSIONS

ITEM NO.	PART NUMBER	DESCRIPTION	QTY.
1	3095	Nail-On Head	1
2	3096	Nail-on Jamb Thermal	2
3	3102	Interior Jamb Filler (X-Panel Track)	1
4	3062	Sill	1
5	BL801	PVC Sill Filler	1
6	FW1020	Standard Stainless Steel Track Insert .5625	1
7	3016	Exterior Jamb Filler (O-Panel Track)	1
8	3011	Head Filler/Closer	1

HARDWARE

ITEM NO.	PART NUMBER	DESCRIPTION	QTY.
9	24069	Backup Plate (With Dust Cover)	1
10	24067	Strike Plate	1
11	20278	#10-32 FHP-B-UC, 9/16", SS clear	2
12	25497	#8-32 FHP,UC, 1/2",SS	1
13	25498	#8-32 Locknut with Nylon-Insert	1
14	20404	#10 OH - A, 2.5, Zinc,Gold	1
15	20312	#8 PHP - TEK, 3/4", SS, Clear	2
16	20502	Sill Block (M607, 20483)	1
17	19118	Small Fin Seal Mohair (23027045BKGB)	5
18	24101	Bumper, Sliding Door Head Installation	1
19	25757	Q-Lon Foam Seal (Q200T270)	4
20	20347	#10 PHP - A, 0.75 in, SS, Clear	4
21	20347	#10 PHP, 0.75" SS, Clear	4
22	-	Sillpan	1

Description
Frame Assembly B.O.M.

File Name
Series 3000-T, XO With
Screen Assembly

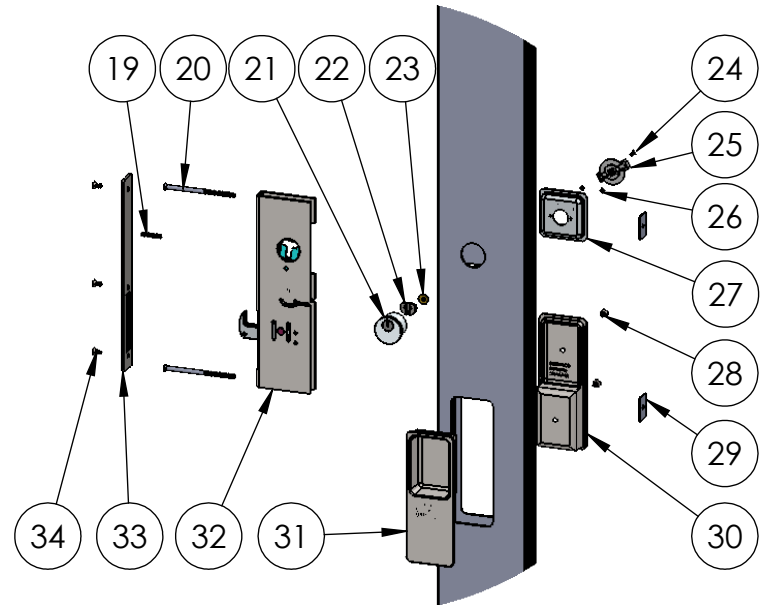
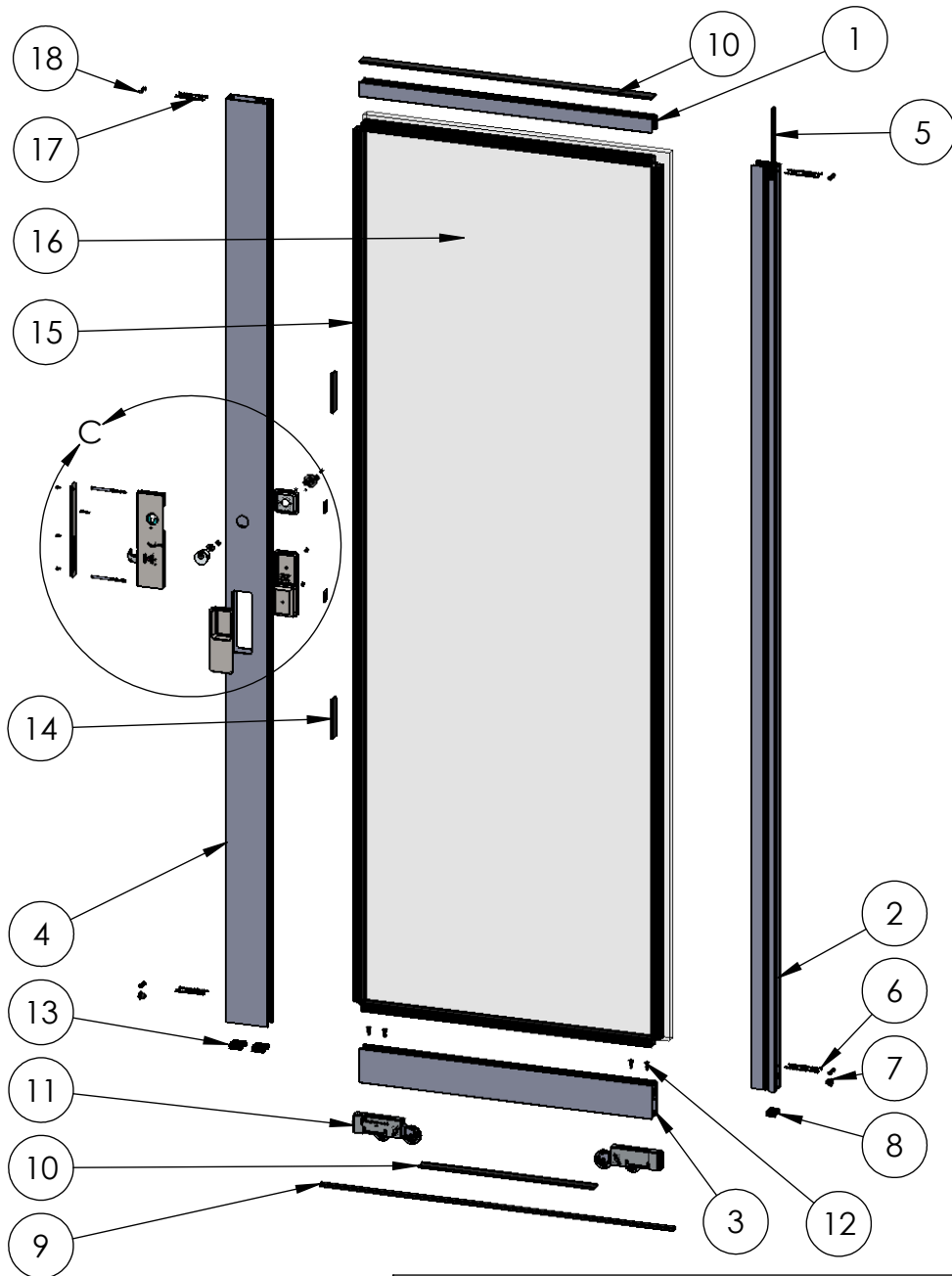
REV

Released 8/27/2018 SHEET 3 OF 7

PROPRIETARY AND CONFIDENTIAL

THE INFORMATION CONTAINED IN THIS DRAWING IS THE SOLE PROPERTY OF FLEETWOOD WINDOWS & DOORS.
ANY REPRODUCTION IN PART OR AS A WHOLE WITHOUT THE WRITTEN PERMISSION OF FLEETWOOD WINDOWS & DOORS IS PROHIBITED.

ASSEMBLY / PARTS LIST (B.O.M.)



PROPRIETARY AND CONFIDENTIAL
 THE INFORMATION CONTAINED IN THIS DRAWING IS THE SOLE PROPERTY OF FLEETWOOD WINDOWS & DOORS.
 ANY REPRODUCTION IN PART OR AS A WHOLE WITHOUT THE WRITTEN PERMISSION OF FLEETWOOD WINDOWS & DOORS IS PROHIBITED.

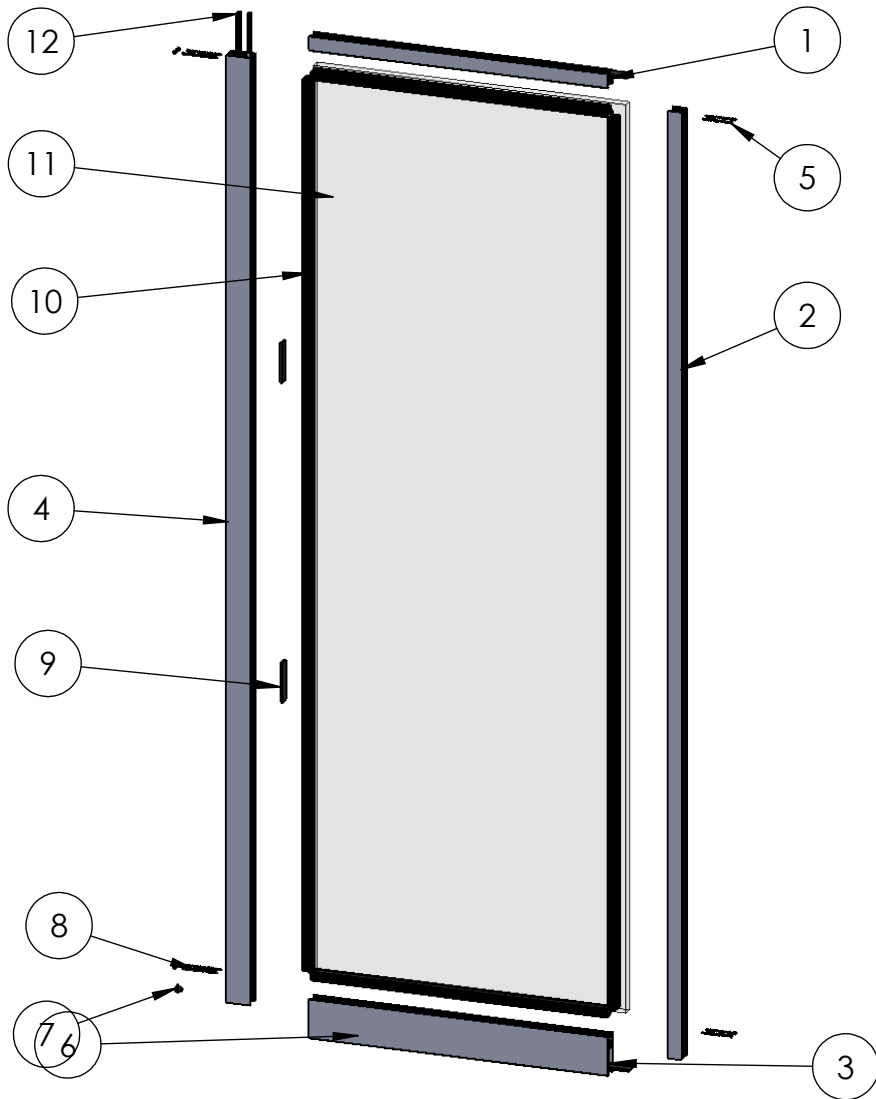
Description	
X Panel Assembly	
File Name	REV
Series 3000-T, XO With Screen Assembly	
Released	SHEET 4 OF 7
8/27/2018	

ASSEMBLY / PARTS LIST (B.O.M.)

EXTRUSIONS				HARDWARE			
ITEM NO.	PART NUMBER	DESCRIPTION	XO/Q TY.	ITEM NO.	PART NUMBER	DESCRIPTION	XO/Q TY.
1	3075	Thermal Top Rail	1	22	24780	Cam - (for the Archetype Key Cylinder)	1
2	3727	Thermal Interlocker Sliding	1	23	24781	Brass Bushing - Key Cylinder Reg. Arch.	1
3	3077	Sliding Bottom Rail DG	1	24	24072, 24094	#6-32, Hex Socket Head Cap, Self Locking, 1/2", SS (Clear, Black)	1
4	3776	Thermal Lock Stile (Archetype)	1	25	24079, 24766	Archetype Actuator (Black, SS)	1
HARDWARE				26	24074	#4-40 FHP, UC, 1/8", SS, Clear	2
ITEM NO.	PART NUMBER	DESCRIPTION	XO/Q TY.	27	24767	Archetype Actuator Pocket, XO, SS	1
5	19117	Large Fin Seal Mohair (29027045BKGB)	1	28	26049, 25325	#8-32 FHS - B, 0.375 in, SS, (Clear, Black)	2
6	25483	#8 FHP-A Screw, 3.5 in.	4	29	18671	Back Up Plate # 10-32 x 0.075 Thk.	2
7	20635	Small Round Panel Plug (All Doors)	2	30	24089, 24091	Archetype Handle, Inside, with Gasket (117-338)	1
8	19141	15/16" Bottom Vent Clip 3015 Weather Strip Insert (3779)	1	31	24090, 24092	Archetype Handle, Outside, with Gasket (117-338)	1
9	19064	Sill, Wipe, Bottom Vinyl, BL-122	1	32	24077, Archetype XO Primary Latch, RH Latch		1
10	BL798	PVC Rail Spreader	2	33	24075	117-311, Archetype Primary Latch(Face) Plate, Cover	1
11	20514, A2 Roller Assembly		2	34	24076	#8-32 FHS, 3/8" Long, Hex Countersunk Screw (Stainless Steel)	3
12	20305	1/4-20 FHP - B, 3/4", SS Clear	4				
13	24770	Bottom Vent Clip Weatherstrip Insert	2				
14	18620	Setting Block 4" x 1/4"x1"	2				
15	22909	1 inch Glazing Vinyl (Shown)	1				
16	-	Glass	1				
17	20262	#8 FHP Screw, 3 in.	4				
18	25907	Thermal Plug	8				
19	24935	#8-32 x 1 Set Screw (Reg. Arch, Cyl)	1				
20	25560	#10-32 FHP - B, 3.375 in (Actual size 3.312 in) , SS, Clear	2				
21	25356, 24782	Archetype Keyed Cylinder (SS) (KA,KD) with Cam/Bushing/Screw	1				

Description X-Panel Assembly B.O.M.	
File Name Series 3000-T, XO With Screen Assembly	REV
Released 8/27/2018	SHEET 5 OF 7

ASSEMBLY / PARTS LIST (B.O.M.)



EXTRUSIONS

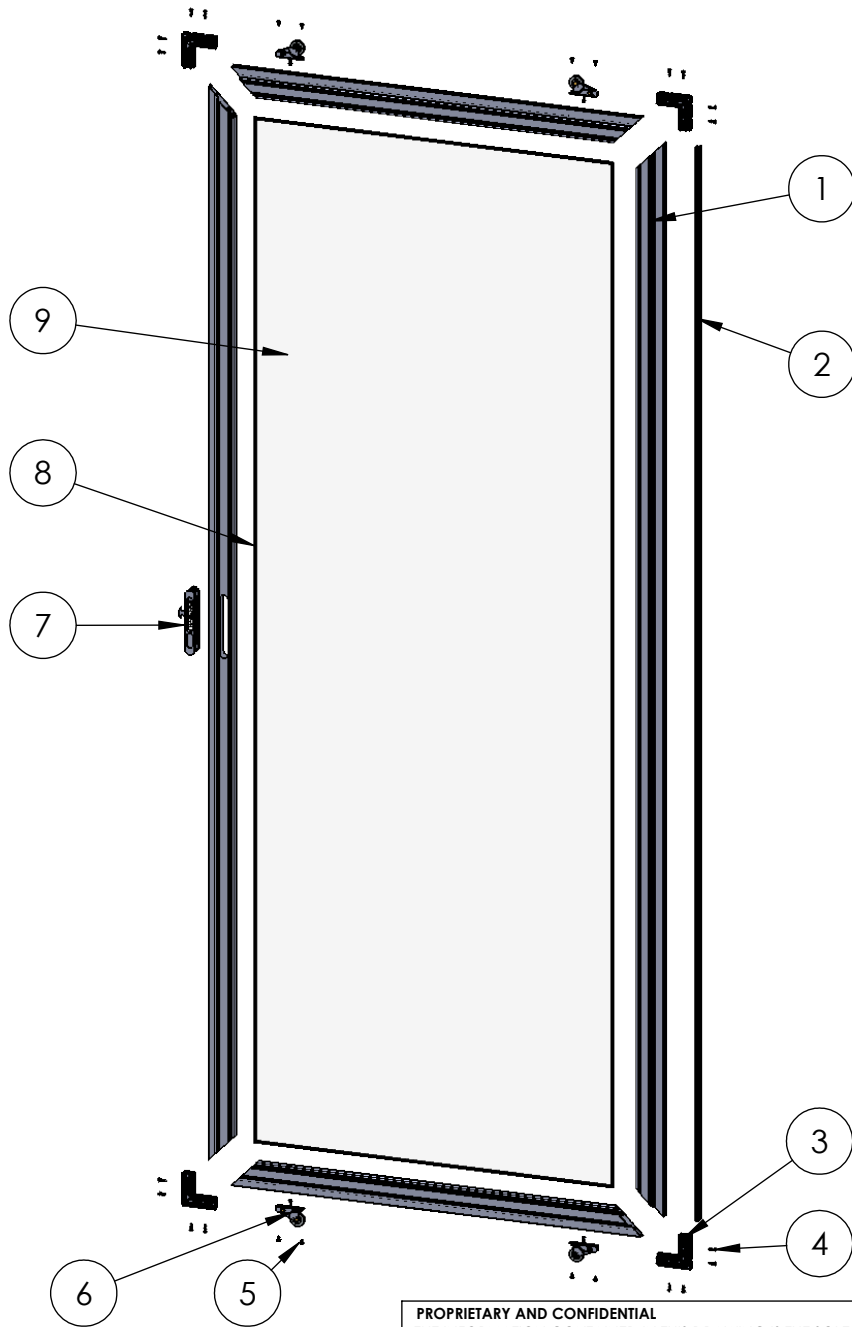
ITEM NO.	PART NUMBER	DESCRIPTION	Right/ QTY.
1	3075	Thermal Top Rail	1
2	3073	Fixed Stile DG	1
3	3076	Fixed Bottom Rail	1
4	3728	Thermal Interlocker Fixed	1

HARDWARE

ITEM NO.	PART NUMBER	DESCRIPTION	Right/ QTY.
5	20332	#8 PHP - A, 3 in, SS, Clear	4
6	BL798	PVC Rail Spreader	2
7	20635	Small Round Panel Plug (All Doors)	1
8	25483	#8 FHP-A Screw, 3.5 in.	4
9	18620	Setting Block 4" x 1/4"x1"	2
10	22909	1 inch Glazing Vinyl (Shown)	1
11	-	Glass	1
12	20516	X-Large Fin Seal Weatherstrip (50027045BKGB)	2
13	25907	Thermal Plug	4

Description O-Panel Assembly	
File Name Series 3000-T, XO With Screen Assembly	REV
Released 8/27/2018	SHEET 6 OF 7

ASSEMBLY / PARTS LIST (B.O.M.)



EXTRUSIONS			
ITEM NO.	PART NUMBER	DESCRIPTION	QTY.
1	145	Screen Extrusion	4
HARDWARE			
ITEM NO.	PART NUMBER	DESCRIPTION	QTY.
2	20531	Bug Wipe Screen 1000, 3000	1
3	20489	Screen Corner Door B1240	4
4	20955	#8 PHP - A, 5/8, SS, Clear	16
5	20225	#6 PHP - TEK, 3/8", SS, Clear	8
6	22905	Screen Roller	4
7	20474	Screen Handle	1
8	19130	Screen Rubber Spline .160	1
9	-	Screen Mesh	1

NOTES:

1. Include 18915 Screen Strike Kit.

PROPRIETARY AND CONFIDENTIAL
THE INFORMATION CONTAINED IN THIS DRAWING IS THE SOLE PROPERTY OF FLEETWOOD WINDOWS & DOORS.
ANY REPRODUCTION IN PART OR AS A WHOLE WITHOUT THE WRITTEN PERMISSION OF FLEETWOOD WINDOWS & DOORS IS PROHIBITED.

Description Screen Panel Assembly	
File Name Series 3000-T, XO With Screen Assembly	REV
Released	8/27/2018
SHEET 7 OF 7	