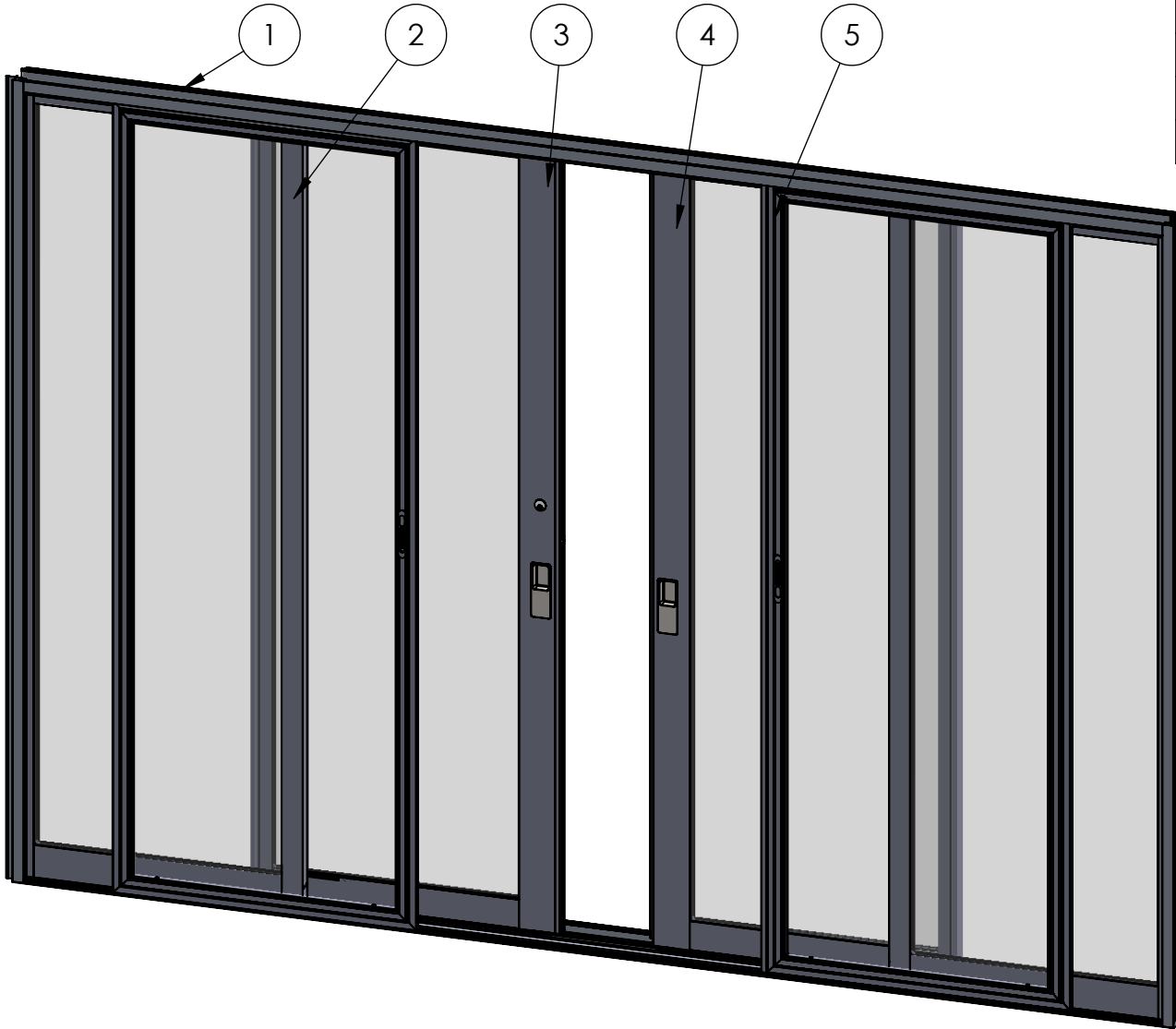


# ASSEMBLY / PARTS LIST (B.O.M.)

**SERIES: 3000-T**  
**CONFIGURATION: OXIXO**



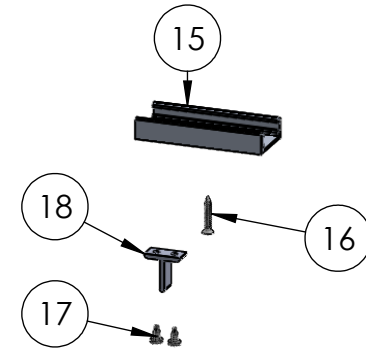
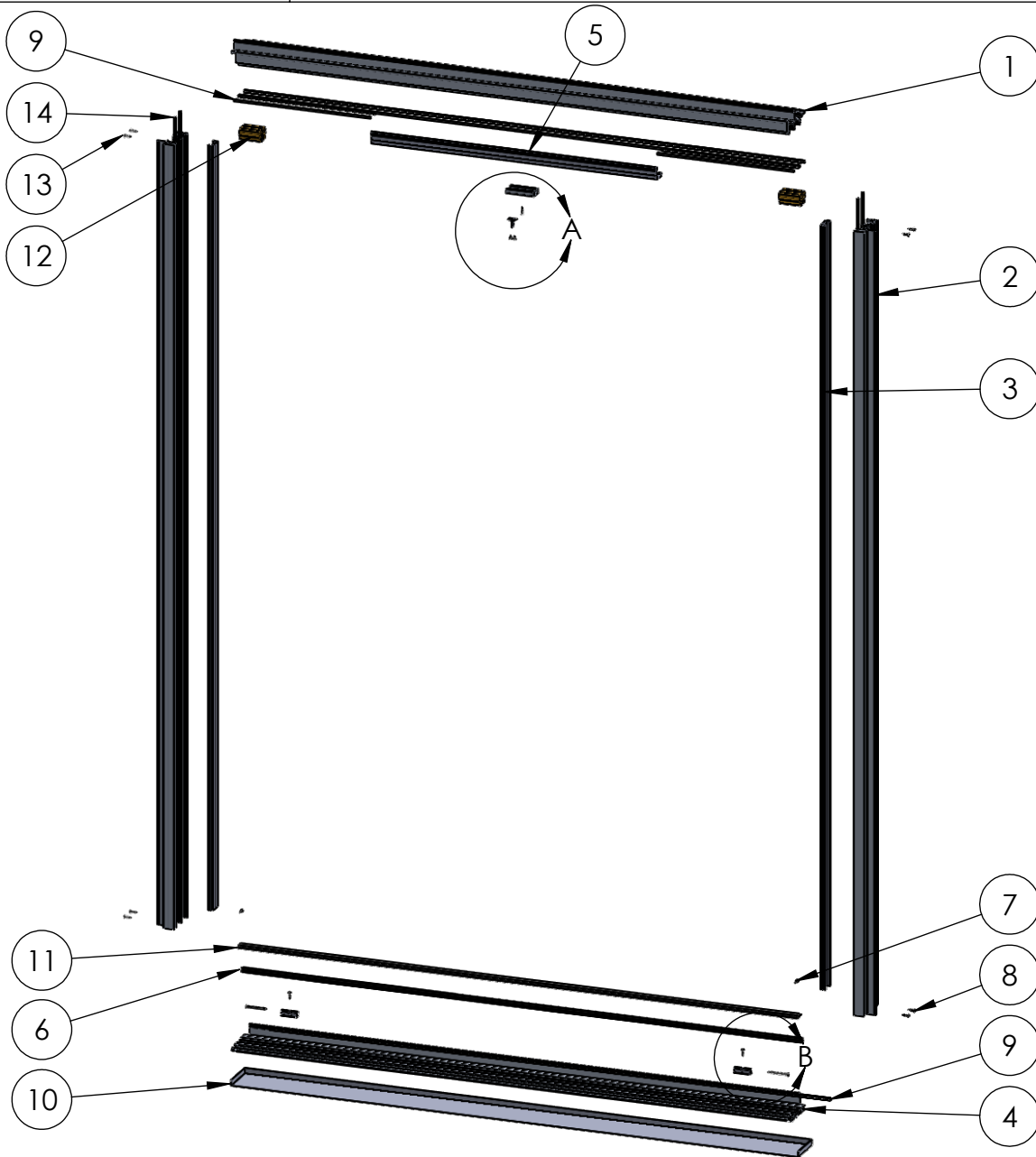
ITEM NO.	DESCRIPTION	PAGE #
1	Frame Assembly	1
2	O-Panel Assembly	2
3	XI-Panel Assembly	1
4	IX-Panel Assembly	1
5	Screen Assembly	9

**NOTES:**  
 1. Two O-Panels and two Screen Panels shown in configuration.

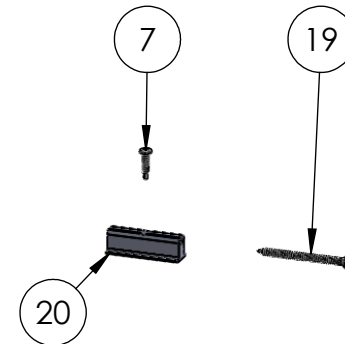
Description Table of Contents	
File Name Series 3000-T, OXIXO With Screen Assembly	REV
Released 8/27/2018	SHEET 1 OF 9

**PROPRIETARY AND CONFIDENTIAL**  
 THE INFORMATION CONTAINED IN THIS DRAWING IS THE SOLE PROPERTY OF FLEETWOOD WINDOWS & DOORS.  
 ANY REPRODUCTION IN PART OR AS A WHOLE WITHOUT THE WRITTEN PERMISSION OF FLEETWOOD WINDOWS & DOORS IS PROHIBITED.

# ASSEMBLY / PARTS LIST (B.O.M.)



DETAIL A  
SCALE 1:5



DETAIL B  
SCALE 1:5

**NOTES:**

1. Frame Assembly scaled down to show detail.

Description	
Frame Assembly	
File Name	REV
Series 3000-T, OXIXO With Screen Assembly	
Released	SHEET 2 OF 9
8/27/2018	

# ASSEMBLY / PARTS LIST (B.O.M.)

## EXTRUSIONS

ITEM NO.	PART NUMBER	DESCRIPTION	QTY.
1	3095	Nail-On Head	1
2	3096	Nail-on Jamb Thermal	2
3	3102	Interior Jamb Filler (X-Panel Track)	2
4	3062	Thermal Sill	1
5	3011	Head Filler/Closer	1
6	FW1020	Stainless steel Track - 9/16" (Sliding Doors)	1

## HARDWARE

ITEM NO.	PART NUMBER	DESCRIPTION	QTY.
7	20312	#8 PHP - TEK, 3/4", SS, Clear	4
8	20347	#10 PHP, 0.75" SS, Clear	4
9	19118	Large Fin Seal (29027045bkqb)(7578)	7
10	-	Sillpan	1
11	BL801	PVC Sill Filler	1
12	24101	Bumper, Sliding Door Head Installation	2
13	20347	#10 PHP - A, 0.75 in, SS, Clear	4
14	25757	Q-Lon Foam Seal (Q200T270)	4
15	24098	Head Anti Lift	1
16	20247	#8, FHP - A Screw, 1 in, SS, Clear	1
17	20225	#6 PHP - TEK, 3/8", SS, Clear	2
18	25565	T-Clip Screen Stop	1
19	20404	#10 OH - A, 2.5, Zinc, Gold	2
20	20502	Sill Block (M607, 20483)	2

Description  
Frame Assembly B.O.M.

File Name  
Series 3000-T, OXIXO With  
Screen Assembly

REV

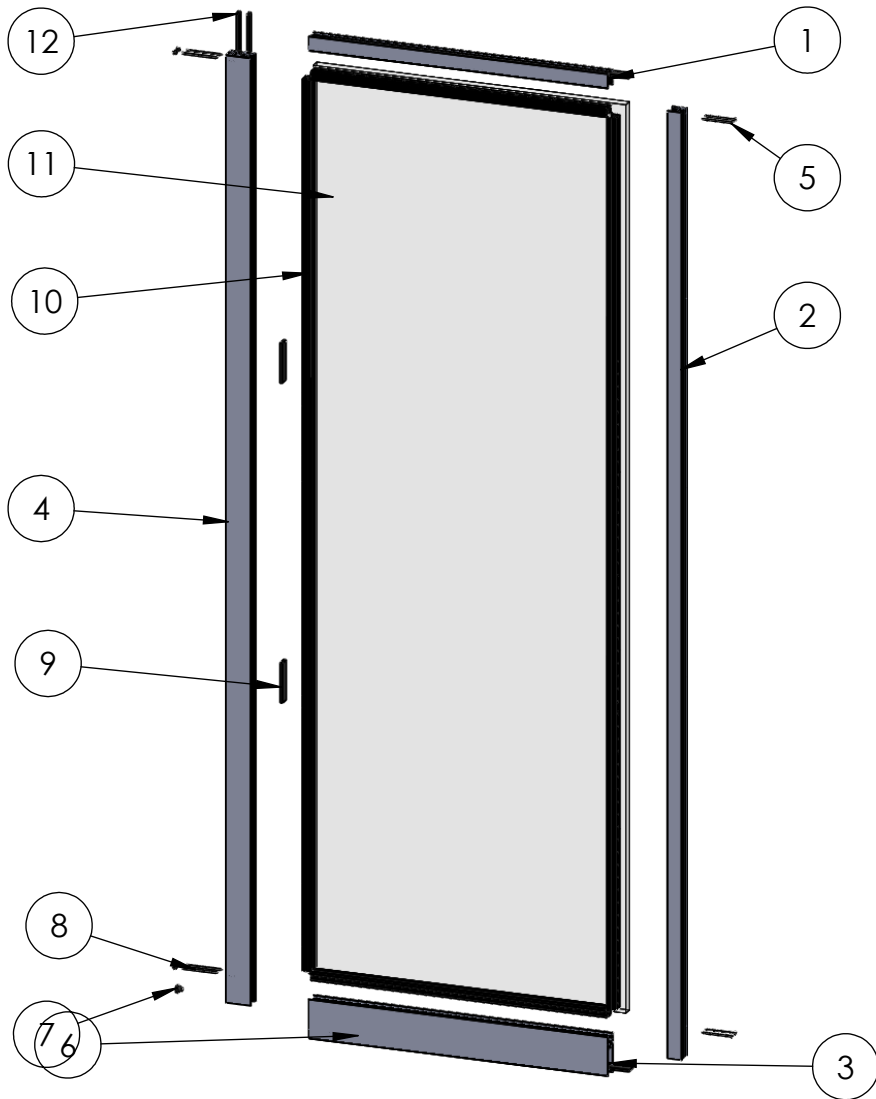
**PROPRIETARY AND CONFIDENTIAL**

THE INFORMATION CONTAINED IN THIS DRAWING IS THE SOLE PROPERTY OF FLEETWOOD WINDOWS & DOORS.  
ANY REPRODUCTION IN PART OR AS A WHOLE WITHOUT THE WRITTEN PERMISSION OF FLEETWOOD WINDOWS & DOORS IS PROHIBITED.

Released 8/27/2018

SHEET 3 OF 9

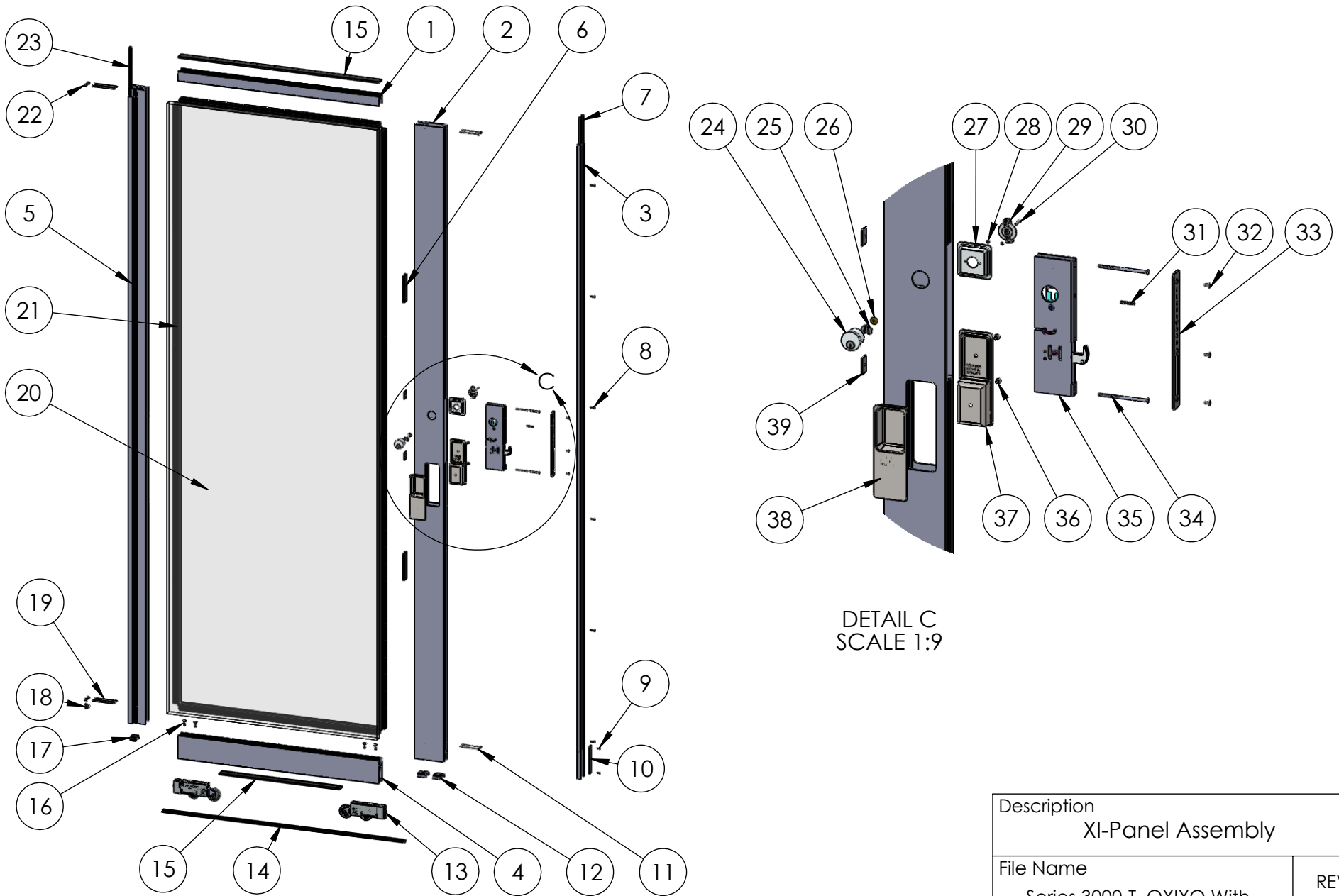
# ASSEMBLY / PARTS LIST (B.O.M.)



EXTRUSIONS			
ITEM NO.	PART NUMBER	DESCRIPTION	QTY.
1	3075	Thermal Top Rail	1
2	3073	Fixed Stile DG	1
3	3076	Fixed Bottom Rail	1
4	3728	Thermal Interlocker Fixed	1
HARDWARE			
ITEM NO.	PART NUMBER	DESCRIPTION	QTY.
5	20332	#8 PHP - A, 3 in, SS, Clear	4
6	BL798	PVC Rail Spreader	2
7	20635	Small Round Panel Plug (All Doors)	1
8	25483	#8 FHP-A Screw, 3.5 in.	4
9	18620	Setting Block 4" x 1/4"x1"	2
10	22909	1 inch Glazing Vinyl (Shown)	1
11	-	Glass	1
12	20516	X-Large Fin Seal Weatherstrip (50027045BKGB)	2
13	25907	Thermal Plug	4

Description O-Panel Assembly	
File Name Series 3000-T, OXIXO With Screen Assembly	REV
Released 8/27/2018	SHEET 4 OF 9

# ASSEMBLY / PARTS LIST (B.O.M.)



DETAIL C  
SCALE 1:9

**PROPRIETARY AND CONFIDENTIAL**  
THE INFORMATION CONTAINED IN THIS DRAWING IS THE SOLE PROPERTY OF FLEETWOOD WINDOWS & DOORS.  
ANY REPRODUCTION IN PART OR AS A WHOLE WITHOUT THE WRITTEN PERMISSION OF FLEETWOOD WINDOWS & DOORS IS PROHIBITED.

Description XI-Panel Assembly	
File Name Series 3000-T, OXIXO With Screen Assembly	REV
Released 8/27/2018	SHEET 5 OF 9

# ASSEMBLY / PARTS LIST (B.O.M.)

EXTRUSIONS			
ITEM NO.	PART NUMBER	DESCRIPTION	QTY.
1	3075	Thermal Top Rail	1
2	3776	Thermal Lock Stile (Archetype)	1
3	3040	Female Yoke	1
4	3077	Sliding Bottom Rail DG	1
5	3727	Thermal Interlocker Sliding	1
HARDWARE			
ITEM NO.	PART NUMBER	DESCRIPTION	QTY.
6	18620	Setting Block 4" x 1/4"x1"	2
7	19118	Small Fin Seal Mohair (23027045BKGB)	2
8	20314	#8 PHP-A Screw, .75 in, SS, Clear	6
9	20226	#8 FHP-A-UC Screw, 0.5 in.	2
10	25035	Meeting Stile Bumper Cover Plate	1
11	20262	#8 FHP Screw, 3 in.	4
12	24770	Bottom Vent Clip Weatherstrip Insert	2
13	20514	A2 Roller	2
14	19064	Sill, Wipe, Bottom Vinyl, BL-122	1
15	BL798	PVC Rail Spreader	2
16	20305	1/4-20 FHP - B, 3/4", SS Clear	4
17	19141	15/16" Bottom Vent Clip 3015 Weather Strip Insert (3779)	1
18	20635	Small Round Panel Plug (All Doors)	1
19	25483	#8 FHP-A Screw, 3.5 in.	4
20	-	Glass	1
21	22909	1 inch Glazing Vinyl (Shown)	1
22	25907	Thermal Plug	4
23	19117	Large Fin Seal Mohair (29027045BKGB)	1
24	25356, 24782	Archetype Keyed Cylinder (SS) (KA,KD) (with Cam/Bushing/Screw)	1

HARDWARE			
ITEM NO.	PART NUMBER	DESCRIPTION	QTY.
25	24780	Cam - (for the Archetype Key Cylinder)	1
26	24781	Brass Bushing - Key Cylinder Reg. Arch.	1
27	24767	Archetype Actuator Pocket, XO, SS	1
28	24074	#4-40 FHP, UC, 1/8", SS, Clear	2
29	24079, 24766	Archetype Actuator (Black, SS)	1
30	24072, 24094	#6-32, Hex Socket Head Cap, Self Locking, 1/2", SS (Clear, Black)	1
31	24935	#8-32 x 1 Set Screw (Reg. Arch, Cyl)	1
32	24076	#8-32 FHS, 3/8" Long, Hex Countersunk Screw (Stainless Steel)	3
33	24075	117-311, Archetype Primary Latch(Face) Plate, Cover	1
34	25560	#10-32 FHP - B, 3.375 in (Actual size 3.312 in) , SS, Clear	2
35	24070	Archetype OX Primary Latch, LH Latch	1
36	26049, 25325	#8-32 FHS - B, 0.375 in, SS, (Clear, Black)	2
37	24089, 24091	Archetype Handle, Inside, with Gasket (117-338)	1
38	24090, 24092	Archetype Handle, Outside, with Gasket (117-338)	1
39	18671	Back Up Plate # 10-32 x 0.075 Thk.	2

Description XI-Panel B.O.M.	
File Name Series 3000-T, OXIXO With Screen Assembly	REV
Released 8/27/2018	SHEET 6 OF 9





# ASSEMBLY / PARTS LIST (B.O.M.)

EXTRUSIONS			
ITEM NO.	PART NUMBER	DESCRIPTION	QTY.
1	3075	Thermal Top Rail	1
2	3727	Thermal Interlocker Sliding	1
3	3077	Sliding Bottom Rail DG	1
4	3039	Male Yoke	1
5	3776	Thermal Lock Stile	1
HARDWARE			
ITEM NO.	PART NUMBER	DESCRIPTION	QTY.
6	19117	Large Fin Seal Mohair (29027045BKGB)	1
7	25907	Thermal Plug	4
8	20262	#8 FHP Screw, 3 in.	8
9	20635	Small Round Panel Plug (All Doors)	1
10	19141	15/16" Bottom Vent Clip 3015 Weather Strip Insert (3779)	1
11	BL798	PVC Rail Spreader	2
12	19064	Sill, Wipe, Bottom Vinyl, BL-122	1
13	20514, A2 Roller Assembly		2
14	20305	1/4-20 FHP - B, 3/4", SS Clear	4
15	24770	Bottom Vent Clip Weatherstrip Insert	2
16	25035	Meeting Stile Bumper Cover Plate	1
17	20226	#8 FHP-A-UC Screw, 0.5 in.	2
18	20314	#8 PHP-A Screw, .75 in, SS, Clear	6

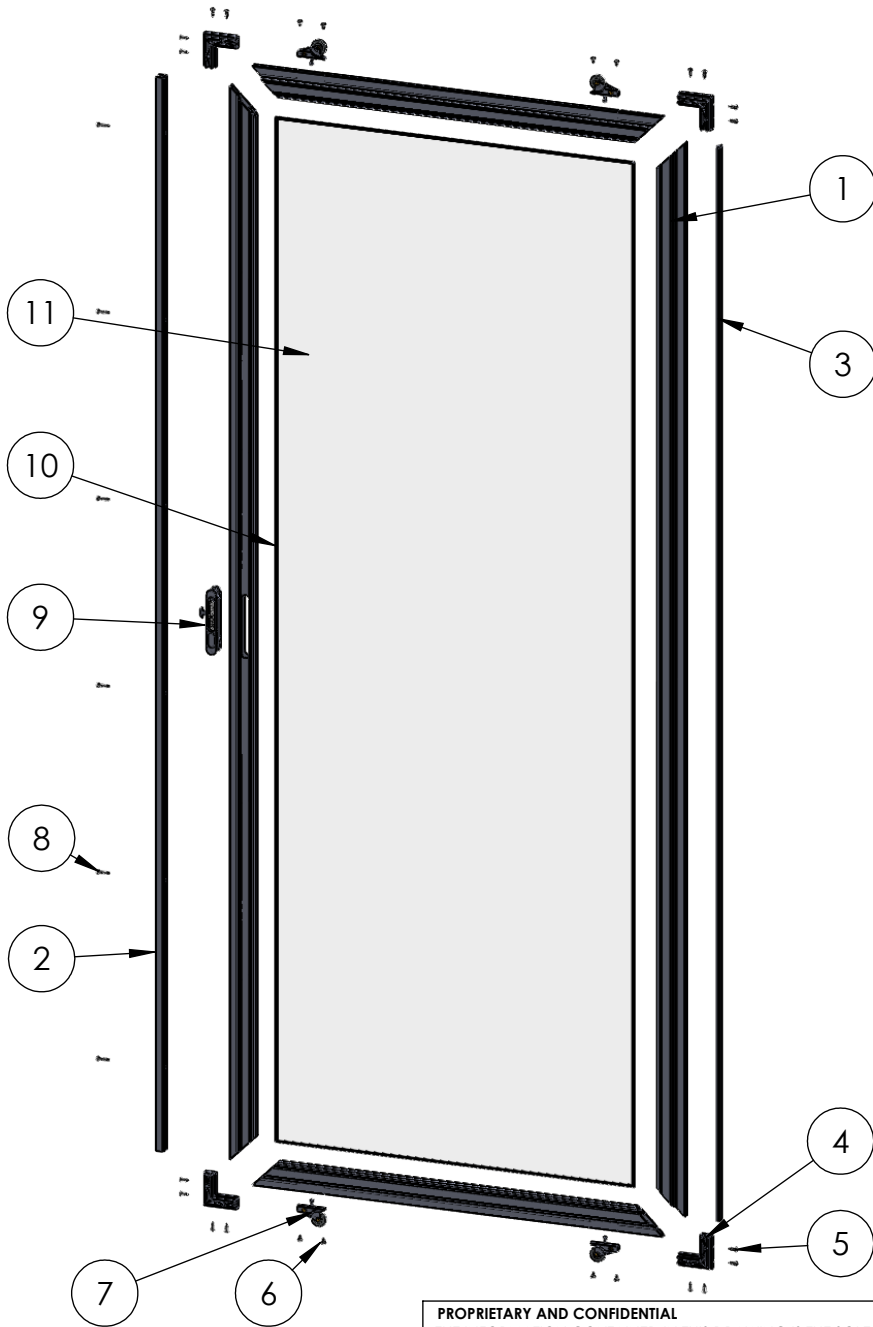
HARDWARE			
ITEM NO.	PART NUMBER	DESCRIPTION	QTY.
19	18620	Setting Block 4" x 1/4"x1"	2
20	22909	1 inch Glazing Vinyl (Shown)	1
21	-	Glass	1
22	24980	Strike Plate, Meeting Stile	1
23	24981	Strike Backup Plate, Meeting Stile	1
24	24089, 24091	Archetype Handle, Inside, with Gasket (117-338)	1
25	26049, 25325	#8-32 FHS - B, 0.375 in, SS, (Clear, Black)	2
26	24090, 24092	Archetype Handle, Outside, with Gasket (117-338)	1
27	20266	Screw No.10-32, Flat Undercut Head Phil.,0.375 In	2

Description IX-Panel B.O.M.	
File Name Series 3000-T, OXIXO With Screen Assembly	REV
Released 8/27/2018	SHEET 8 OF 9

**PROPRIETARY AND CONFIDENTIAL**  
 THE INFORMATION CONTAINED IN THIS DRAWING IS THE SOLE PROPERTY OF FLEETWOOD WINDOWS & DOORS.  
 ANY REPRODUCTION IN PART OR AS A WHOLE WITHOUT THE WRITTEN PERMISSION OF FLEETWOOD WINDOWS & DOORS IS PROHIBITED.



# ASSEMBLY / PARTS LIST (B.O.M.)



EXTRUSIONS			
ITEM NO.	PART NUMBER	DESCRIPTION	QTY.
1	145	Screen Extrusion	4
2	1065	Screen Astragal	1

HARDWARE			
ITEM NO.	PART NUMBER	DESCRIPTION	QTY.
3	20531	Bug Wipe Screen 1000, 3000	1
4	20489	Screen Corner Door B1240	4
5	20955	#8 PHP - A, 5/8, SS, Clear	16
6	20225	#6 PHP - TEK, 3/8", SS, Clear	8
7	22905	Screen Roller, 1.25" dia., Stainless Steel	4
8	20320	#8 PHP, TEK, 1 in, SS, Clear	6
9	20474	Screen Handle	1
10	19130	Screen Rubber Spline .160	1
11	-	Screen Mesh	1

**NOTES:**

1. Include 18915 Screen Strike Kit.
2. Active screen panel shown. Inactive panel does not have parts 1065 and 20320.

Description Screen Panel Assembly	
File Name Series 3000-T, OXIXO With Screen Assembly	REV
Released 8/27/2018	SHEET 9 OF 9

**PROPRIETARY AND CONFIDENTIAL**  
THE INFORMATION CONTAINED IN THIS DRAWING IS THE SOLE PROPERTY OF FLEETWOOD WINDOWS & DOORS.  
ANY REPRODUCTION IN PART OR AS A WHOLE WITHOUT THE WRITTEN PERMISSION OF FLEETWOOD WINDOWS & DOORS IS PROHIBITED.