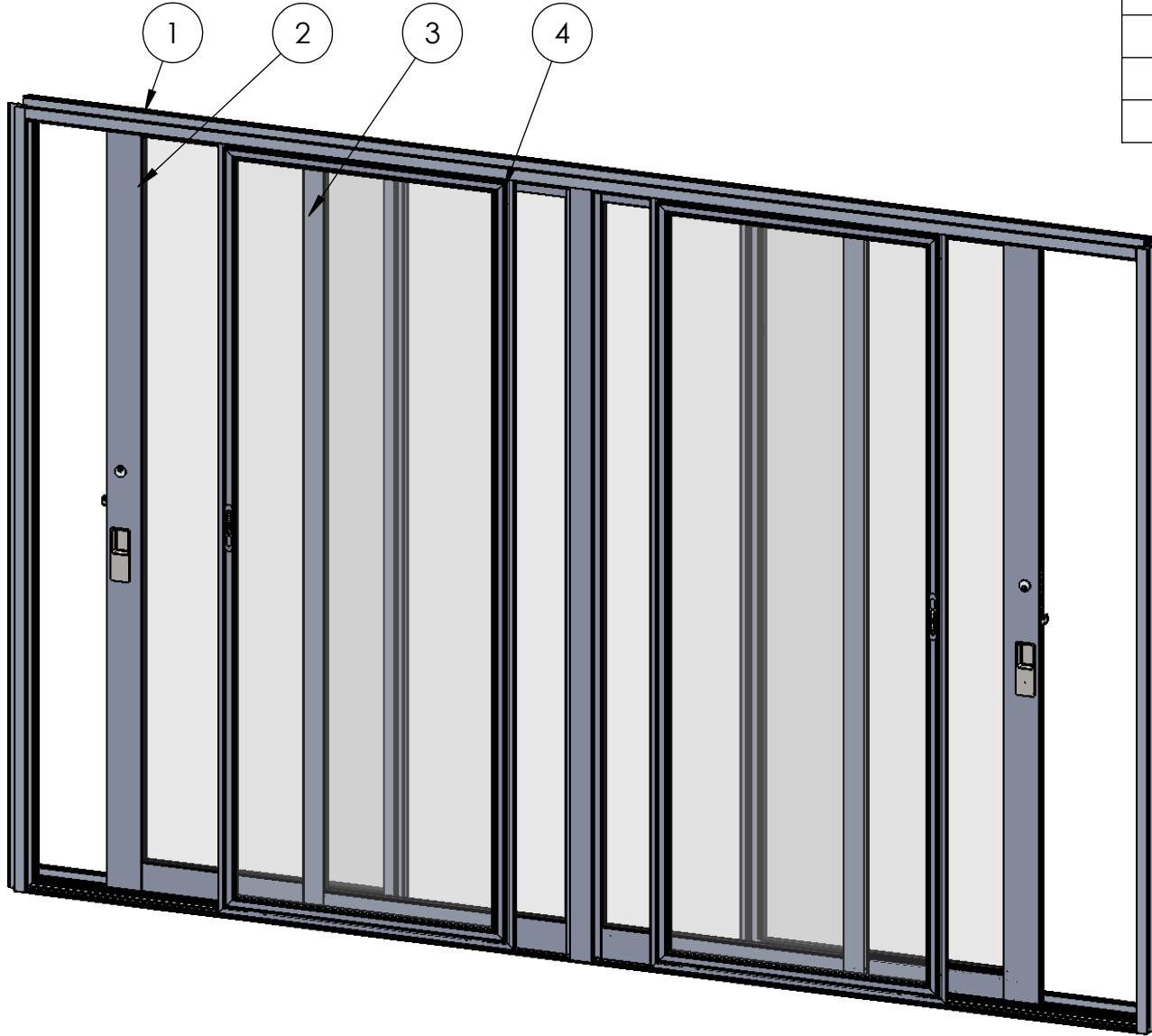


ASSEMBLY / PARTS LIST (B.O.M.)

SERIES: 3000-T
CONFIGURATION: XOOX



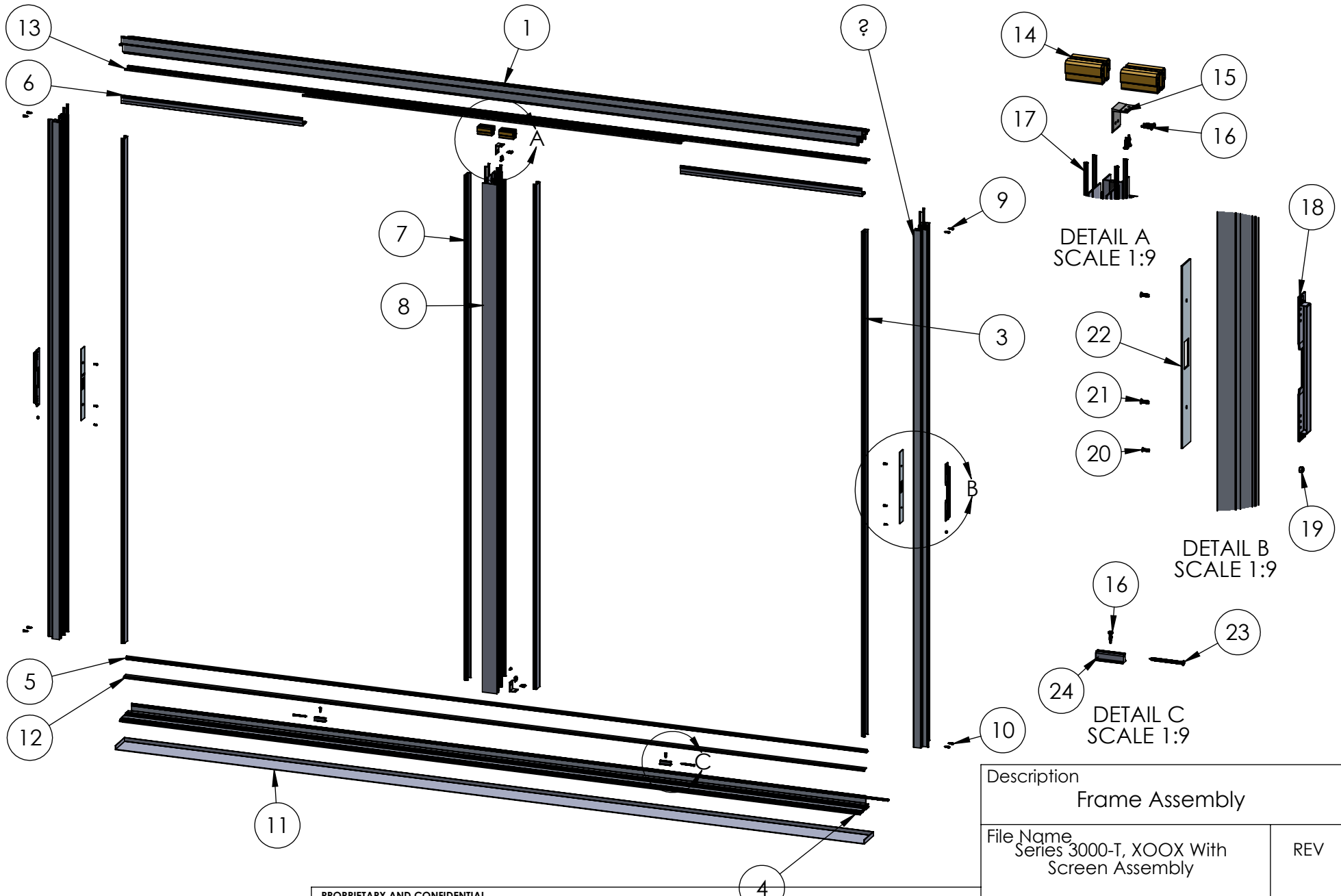
ITEM NO.	DESCRIPTION	PAGE #
1	Frame Assembly	2-3
2	X-Panel Assembly	4-5
3	O Panel Assembly	6
4	Screen Assembly	7

NOTES:

1. Configuration contains two of each panel type.

Description Table of Contents	
File Name Series 3000-T, XOOX With Screen Assembly	REV
Released	8/27/2018
SHEET 1 OF 7	

ASSEMBLY / PARTS LIST (B.O.M.)



PROPRIETARY AND CONFIDENTIAL
 THE INFORMATION CONTAINED IN THIS DRAWING IS THE SOLE PROPERTY OF FLEETWOOD WINDOWS & DOORS.
 ANY REPRODUCTION IN PART OR AS A WHOLE WITHOUT THE WRITTEN PERMISSION OF FLEETWOOD WINDOWS & DOORS IS PROHIBITED.

Description	
Frame Assembly	
File Name	REV
Series 3000-T, XOOX With Screen Assembly	
Released	SHEET 2 OF 7
8/27/2018	

ASSEMBLY / PARTS LIST (B.O.M.)

EXTRUSIONS

ITEM NO.	PART NUMBER	DESCRIPTION	QTY.
1	3095	Nail-On Head	1
2	3096	Nail-on Jamb Thermal	2
3	3016	Exterior Jamb Filler (O-Panel Track)	2
4	3062	Thermal Sill	1
5	FW1020	Standard Stainless Steel Track	1
6	3011	Head Filler/Closer	2
7	3102	Interior Jamb Filler (X-Panel Track)	2
8	3087	Thermal False Jamb	1

HARDWARE

ITEM NO.	PART NUMBER	DESCRIPTION	QTY.
20	25497	#8-32 FHP,UC, 1/2",SS	2
21	20278	#10-32 FHP-B-UC, 9/16", SS clear	4
22	24067	Strike Plate	2
23	20404	#10 OH-A, 2.5, Zinc,Gold	2
24	20502	Sill Block (M607, 20483)	2

HARDWARE

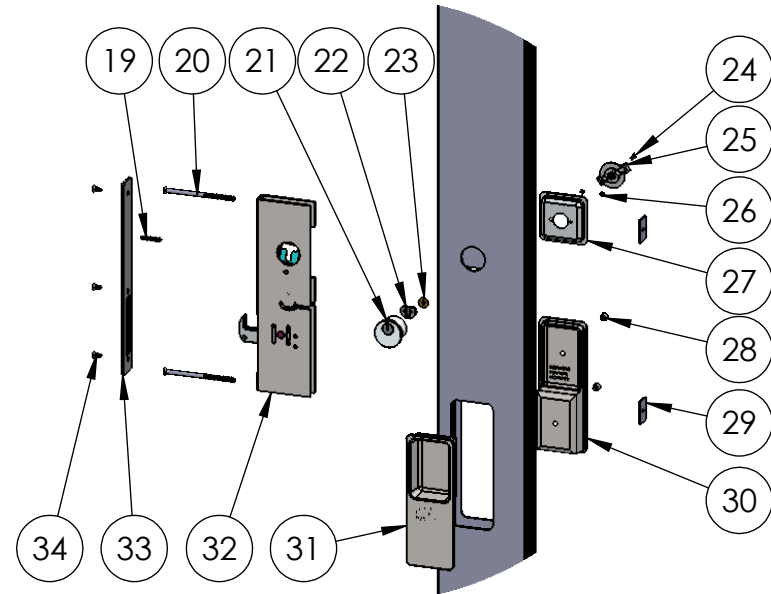
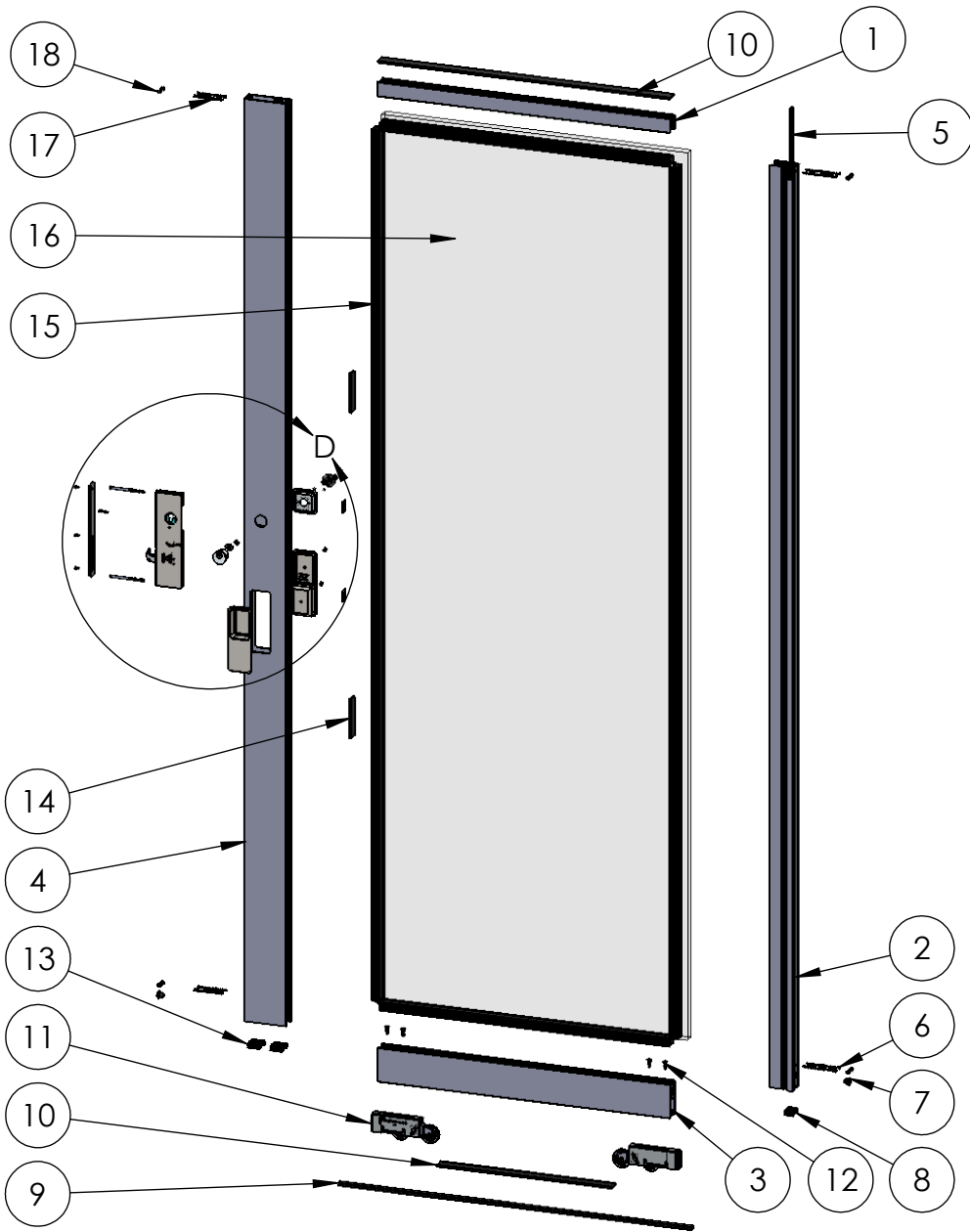
ITEM NO.	PART NUMBER	DESCRIPTION	QTY.
9	20347	#10 PHP - A, 0.75 in, SS, Clear	4
10	20347	#10 PHP, 0.75" SS, Clear	4
11	-	Sillpan	1
12	BL801	PVC Sill Filler	1
13	19118	Small Fin Seal Mohair (23027045BKGB)	5
14	24101	Bumper, Sliding Door Head Installation	2
15	23007	L Clips with 4-hole	2
16	20312	#8 PHP-TEK Screw, 3/4"	12
17	25757	Q-Lon Foam Seal (Q200T270)	8
18	24069	Backup Plate (With Dust Cover)	2
19	25498	#8-32 Locknut with Nylon-Insert	2

Description Frame Assembly B.O.M.	
File Name Series 3000-T, XOOX With Screen Assembly	REV
Released	8/27/2018
SHEET 3 OF 7	

PROPRIETARY AND CONFIDENTIAL

THE INFORMATION CONTAINED IN THIS DRAWING IS THE SOLE PROPERTY OF FLEETWOOD WINDOWS & DOORS.
ANY REPRODUCTION IN PART OR AS A WHOLE WITHOUT THE WRITTEN PERMISSION OF FLEETWOOD WINDOWS & DOORS IS PROHIBITED.

ASSEMBLY / PARTS LIST (B.O.M.)



DETAIL D
SCALE 1:9

PROPRIETARY AND CONFIDENTIAL
THE INFORMATION CONTAINED IN THIS DRAWING IS THE SOLE PROPERTY OF FLEETWOOD WINDOWS & DOORS.
ANY REPRODUCTION IN PART OR AS A WHOLE WITHOUT THE WRITTEN PERMISSION OF FLEETWOOD WINDOWS & DOORS IS PROHIBITED.

Description X Panel Assembly	
File Name Series 3000-T, XOOX With Screen Assembly	REV
Released 8/27/2018	SHEET 4 OF 7

ASSEMBLY / PARTS LIST (B.O.M.)

EXTRUSIONS			
ITEM NO.	PART NUMBER	DESCRIPTION	QTY.
1	3075	Thermal Top Rail	1
2	3727	Thermal Interlocker Sliding	1
3	3077	Sliding Bottom Rail DG	1
4	3776	Thermal Lock Stile (Archetype)	1
HARDWARE			
ITEM NO.	PART NUMBER	DESCRIPTION	QTY.
5	19117	Large Fin Seal Mohair (29027045BKGB)	1
6	25483	#8 FHP-A Screw, 3.5 in.	4
7	20635	Small Round Panel Plug (All Doors)	2
8	19141	Large Vent Clip	1
9	19064	Sill, Wipe, Bottom Vinyl, BL-122	1
10	BL798	PVC Rail Spreader	2
11	20514	A2 Roller	2
12	20305	1/4-20 FHP - B, 3/4", SS Clear	4
13	24770	Large Thermal Vent Clip	2
14	18620	Setting Block 4" x 1/4"x1"	2
15	22909	1 inch Glazing Vinyl (Shown)	1
16	-	Glass	1
17	20262	#8 FHP Screw, 3 in.	4
18	25907	Thermal Plug	8
19	24935	#8-32 Set Screw, 1"	1
20	25560	#10-32 FHP-B Screw, 3.312"	2
21	25356, 24782	Archetype Keyed Cylinder (SS) (KA,KD) (with Cam/Bushing/Screw)	1

HARDWARE			
ITEM NO.	PART NUMBER	DESCRIPTION	QTY.
22	24780	Key Cylinder Cam	1
23	24781	Archetype Brass Bushing	1
24	24072, 24094	#6-32, Hex Socket Head Cap, Self Locking, 1/2", SS (Clear, Black)	1
25	24079, 24766	Archetype Actuator (Black, SS)	1
26	24074	#4-40 FHP, UC, 1/8", SS, Clear	2
27	24767	Archetype Actuator Pocket, XO, SS	1
28	26049, 25325	#8-32 FHS - B, 0.375 in, SS, (Clear, Black)	2
29	18671	Back Up Plate # 10-32 x 0.075 Thk.	2
30	24089, 24091	Archetype Handle, Inside (Clear, Black)	1
31	24090, 24092	Archetype Handle, Outside (Clear, Black)	1
32	24070, 24077	Archetype Primary Latch (OX, XO)	1
33	24075	Archetype Faceplate	1
34	24076	#8-32 FHS, 3/8" Long, Hex Countersunk Screw (Stainless Steel)	3

NOTES:

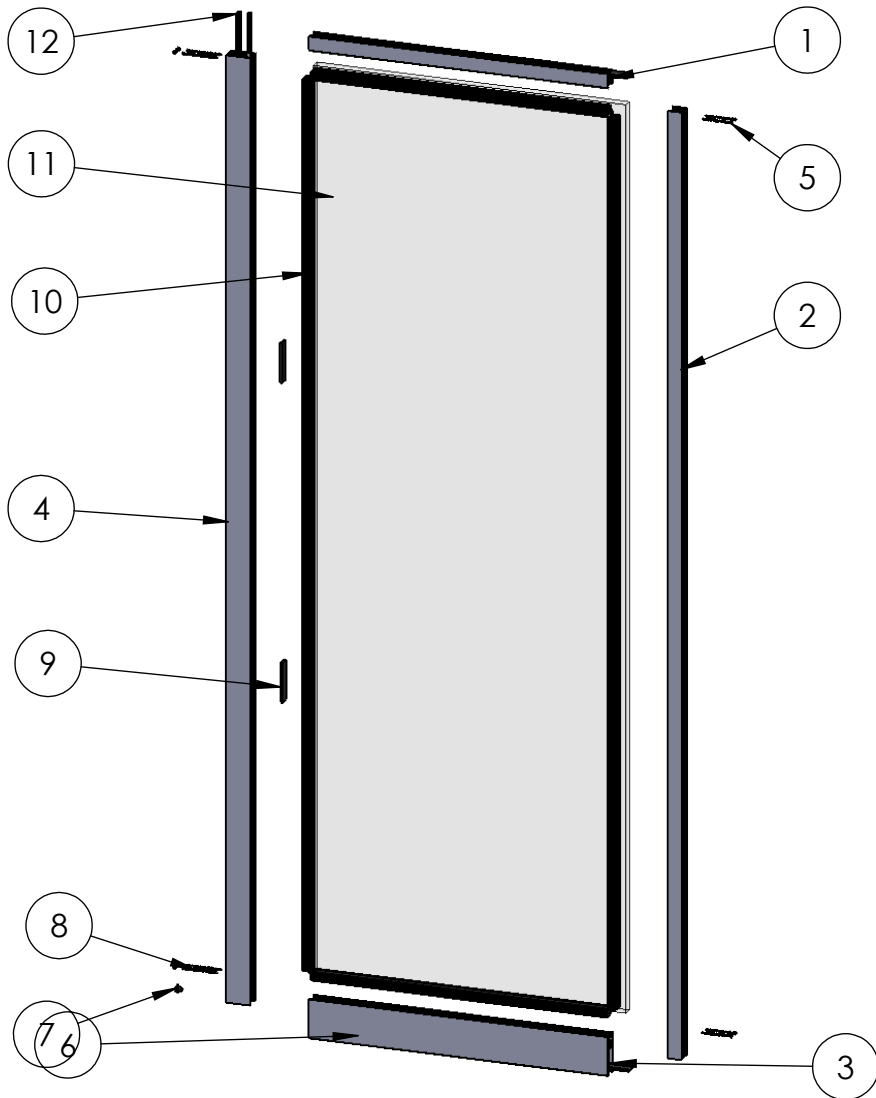
- 24077 replaced with 24070 for OX active panel.

Description X-Panel Assembly B.O.M.	
File Name Series 3000-T, XOOX With Screen Assembly	REV
Released 8/27/2018	SHEET 5 OF 7

PROPRIETARY AND CONFIDENTIAL

THE INFORMATION CONTAINED IN THIS DRAWING IS THE SOLE PROPERTY OF FLEETWOOD WINDOWS & DOORS. ANY REPRODUCTION IN PART OR AS A WHOLE WITHOUT THE WRITTEN PERMISSION OF FLEETWOOD WINDOWS & DOORS IS PROHIBITED.

ASSEMBLY / PARTS LIST (B.O.M.)



EXTRUSIONS

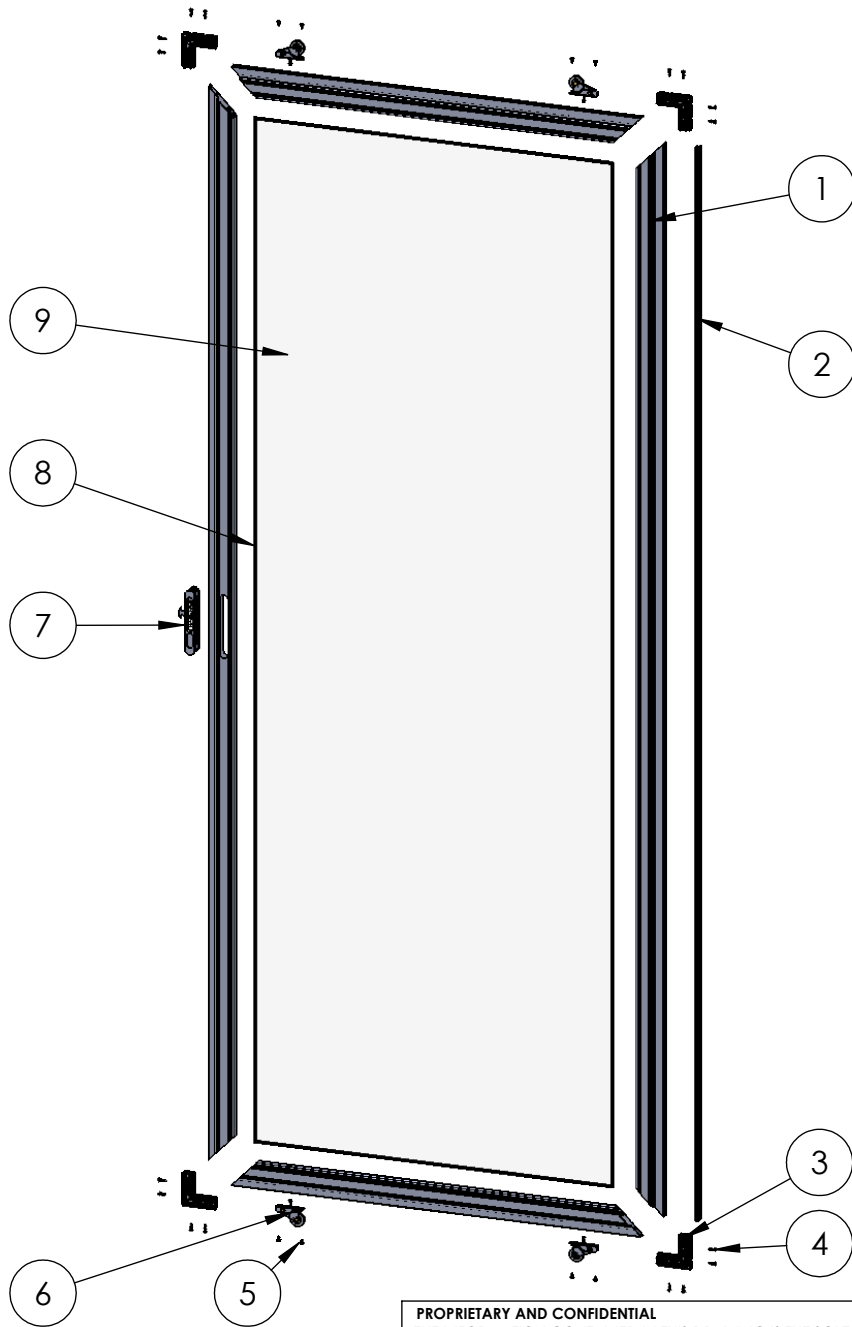
ITEM NO.	PART NUMBER	DESCRIPTION	QTY.
1	3075	Thermal Top Rail	1
2	3073	Fixed Stile DG	1
3	3076	Fixed Bottom Rail	1
4	3728	Thermal Interlocker Fixed	1

HARDWARE

ITEM NO.	PART NUMBER	DESCRIPTION	QTY.
5	20332	#8 PHP - A, 3 in, SS, Clear	4
6	BL798	PVC Rail Spreader	2
7	20635	Small Round Panel Plug (All Doors)	1
8	25483	#8 FHP-A Screw, 3.5 in.	4
9	18620	Setting Block 4" x 1/4"x1"	2
10	22909	1 inch Glazing Vinyl (Shown)	1
11	-	Glass	1
12	20516	X-Large Fin Seal Weatherstrip (50027045BKGB)	2
13	25907	Thermal Plug	4

Description O-Panel Assembly	
File Name Series 3000-T, XOOX With Screen Assembly	REV
Released 8/27/2018	SHEET 6 OF 7

ASSEMBLY / PARTS LIST (B.O.M.)



EXTRUSIONS			
ITEM NO.	PART NUMBER	DESCRIPTION	QTY.
1	145	Screen Extrusion	4
HARDWARE			
ITEM NO.	PART NUMBER	DESCRIPTION	QTY.
2	20531	Bug Wipe Screen 1000, 3000	1
3	20489	Screen Corner Door B1240	4
4	20955	#8 PHP - A, 5/8, SS, Clear	16
5	20225	#6 PHP - TEK, 3/8", SS, Clear	8
6	22905	Screen Roller	4
7	20474	Screen Handle	1
8	19130	Screen Rubber Spline .160	1
9	-	Screen Mesh	1

NOTES:

1. Include 18915 Screen Strike Kit.

PROPRIETARY AND CONFIDENTIAL

THE INFORMATION CONTAINED IN THIS DRAWING IS THE SOLE PROPERTY OF FLEETWOOD WINDOWS & DOORS. ANY REPRODUCTION IN PART OR AS A WHOLE WITHOUT THE WRITTEN PERMISSION OF FLEETWOOD WINDOWS & DOORS IS PROHIBITED.

Description Screen Panel Assembly	
File Name Series 3000-T, XOOX With Screen Assembly	REV
Released 8/27/2018	SHEET 7 OF 7