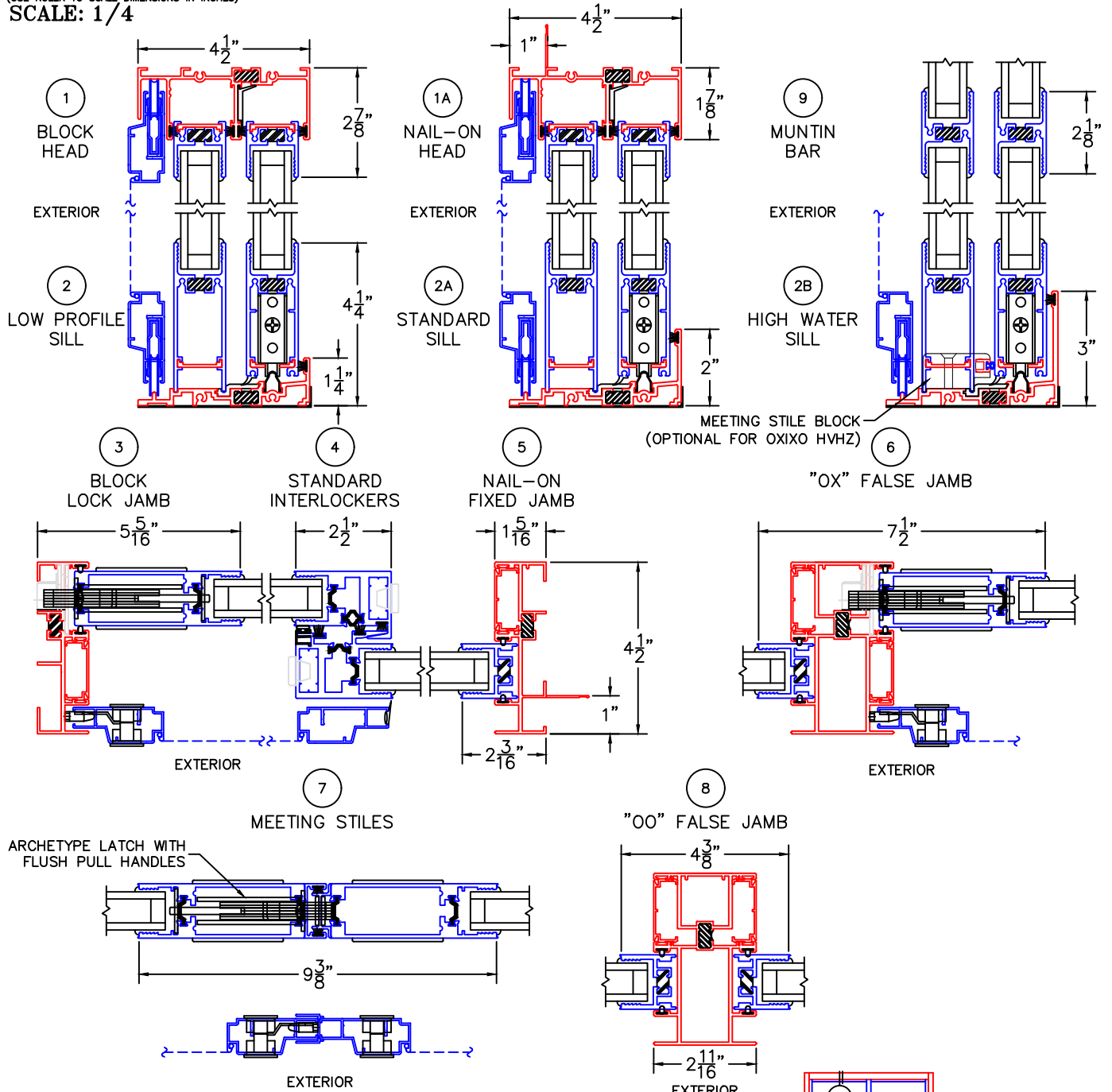


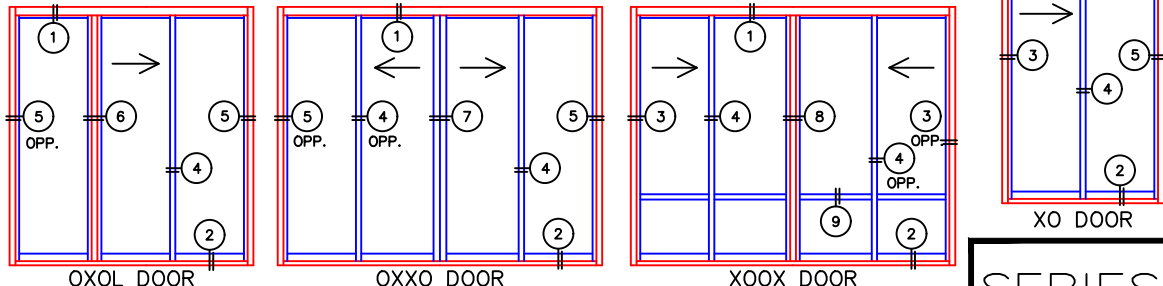
(USE RULER TO SCALE DIMENSIONS IN INCHES)

SCALE: 1/4"

SLIDING DOOR DETAILS  
1" INSULATED GLAZING SHOWN



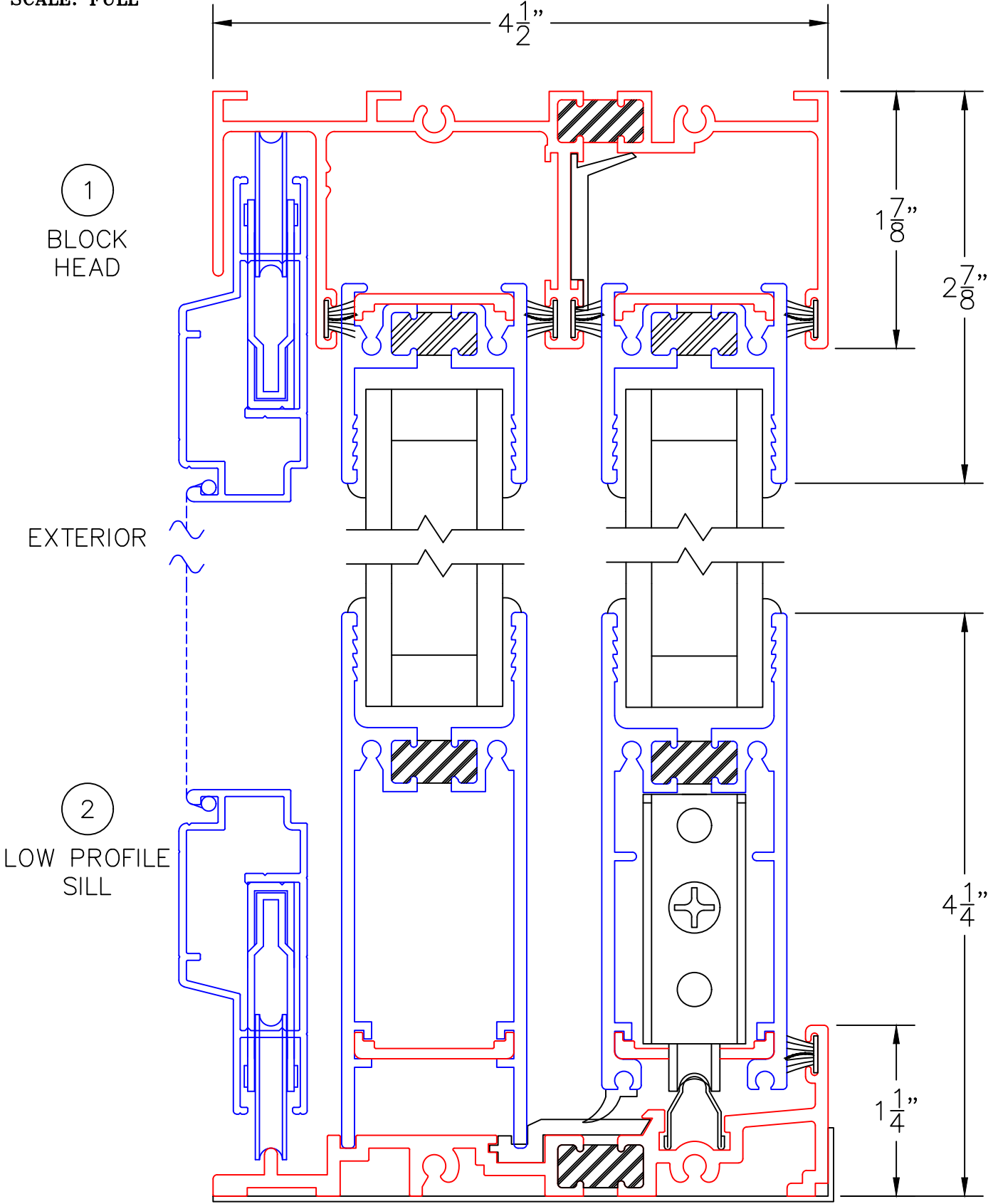
NOTE: CENTERLINES ARE NOT DIVIDED EQUALLY; CONFIRM CENTERLINES WHEN REQUIRED.



-GLASS PENETRATION: 11/16"  
-EXTERIOR RATED PRODUCTS HAVE WEEP SLOTS ON HORIZONTAL SILLS.

0 0.5 1  
(USE RULER TO SCALE DIMENSIONS IN INCHES)  
**SCALE: FULL**

SLIDING DOOR DETAILS  
1" INSULATED GLAZING SHOWN



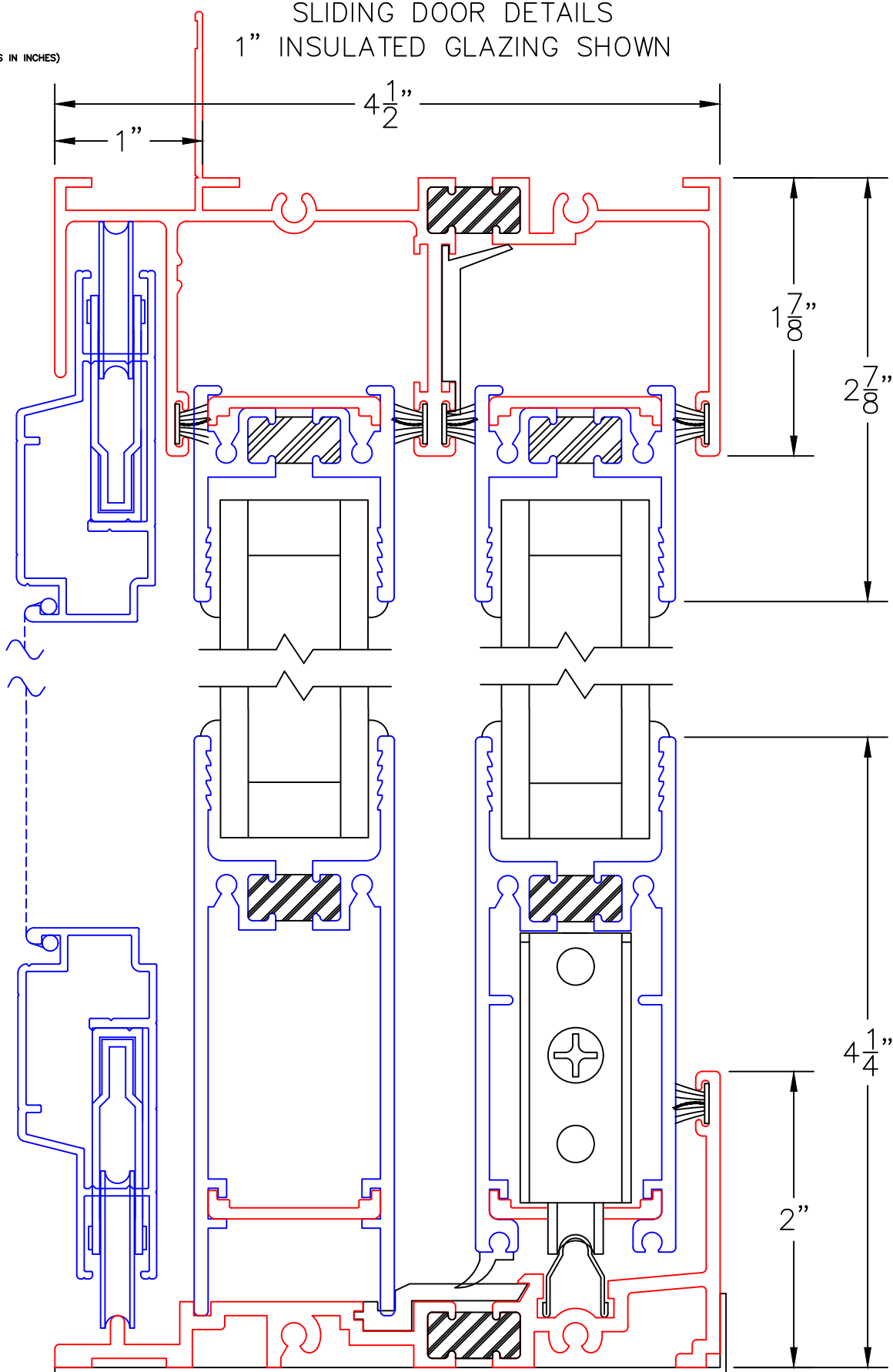
0 0.5 1  
(USE RULER TO SCALE DIMENSIONS IN INCHES)  
**SCALE: FULL**

SLIDING DOOR DETAILS  
1" INSULATED GLAZING SHOWN

1A  
NAIL-ON  
HEAD

EXTERIOR

2A  
STANDARD  
SILL



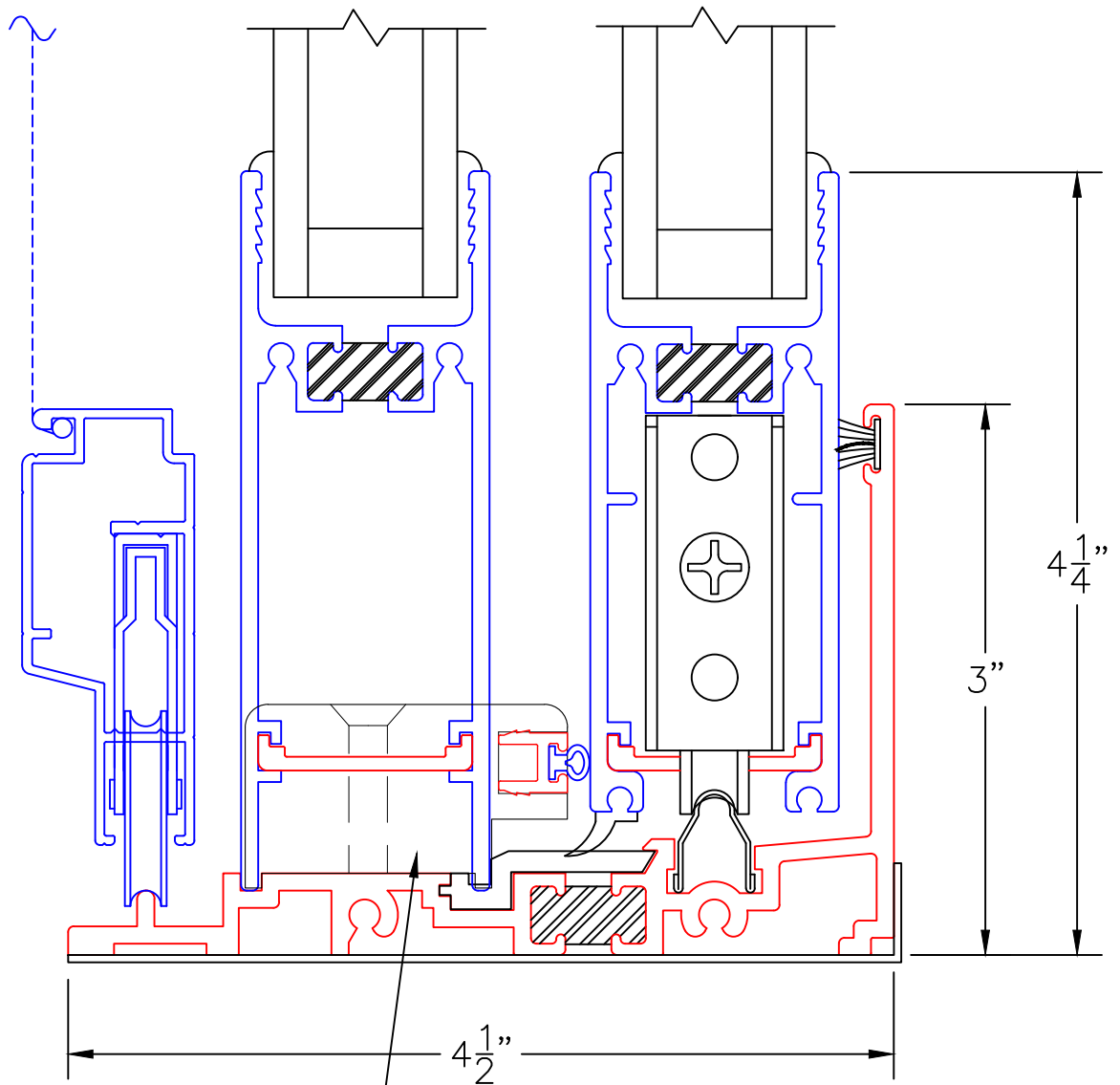
0 0.5 1  
(USE RULER TO SCALE DIMENSIONS IN INCHES)  
**SCALE: FULL**

SLIDING DOOR DETAILS  
1" INSULATED GLAZING SHOWN

(2B)

HIGH WATER  
SILL

EXTERIOR



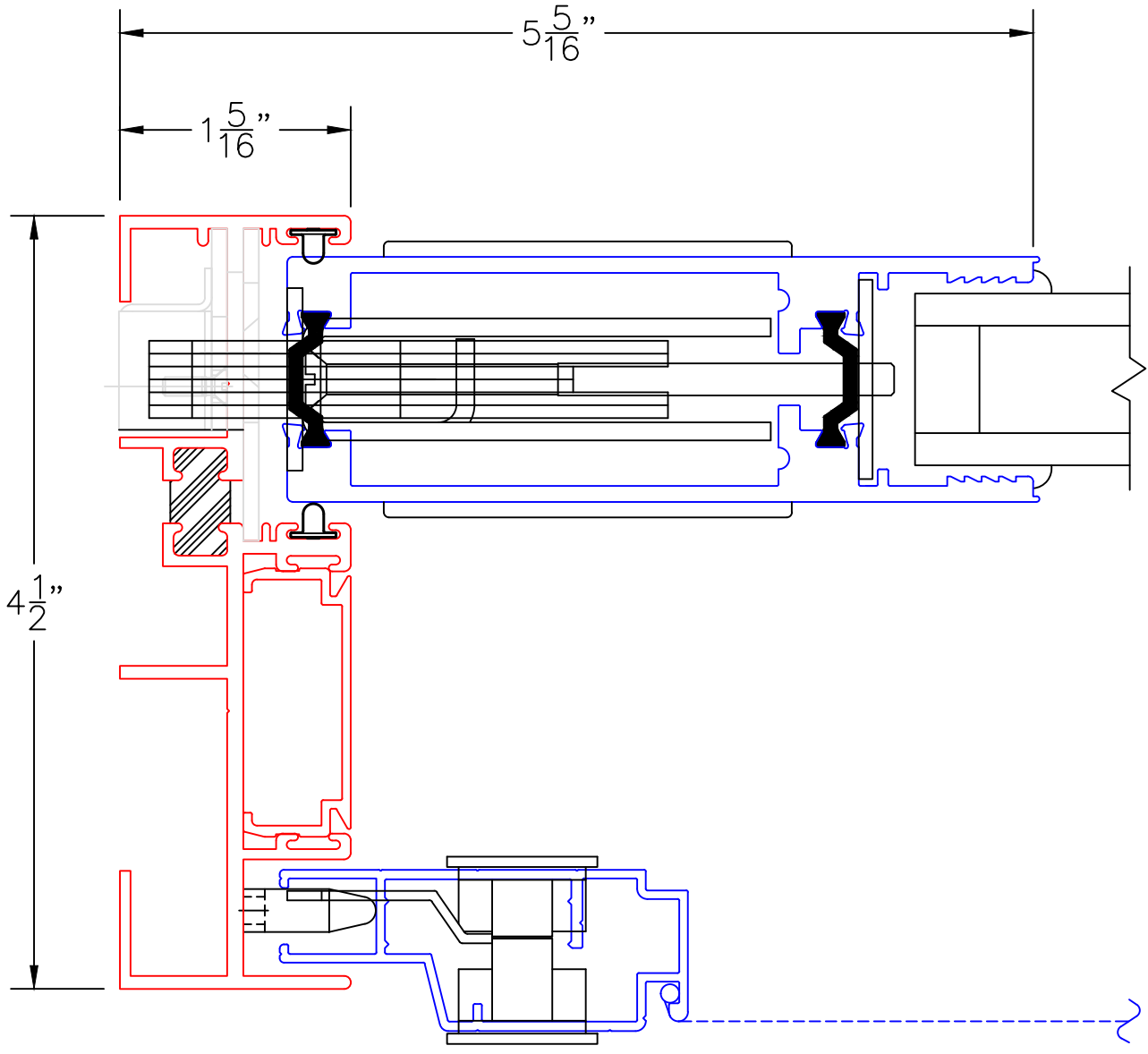
MEETING STILE BLOCK  
(OPTIONAL FOR OXIXO HVHZ)

0 0.5 1  
(USE RULER TO SCALE DIMENSIONS IN INCHES)  
**SCALE: FULL**

SLIDING DOOR DETAILS  
1" INSULATED GLAZING SHOWN

3

BLOCK  
LOCK JAMB



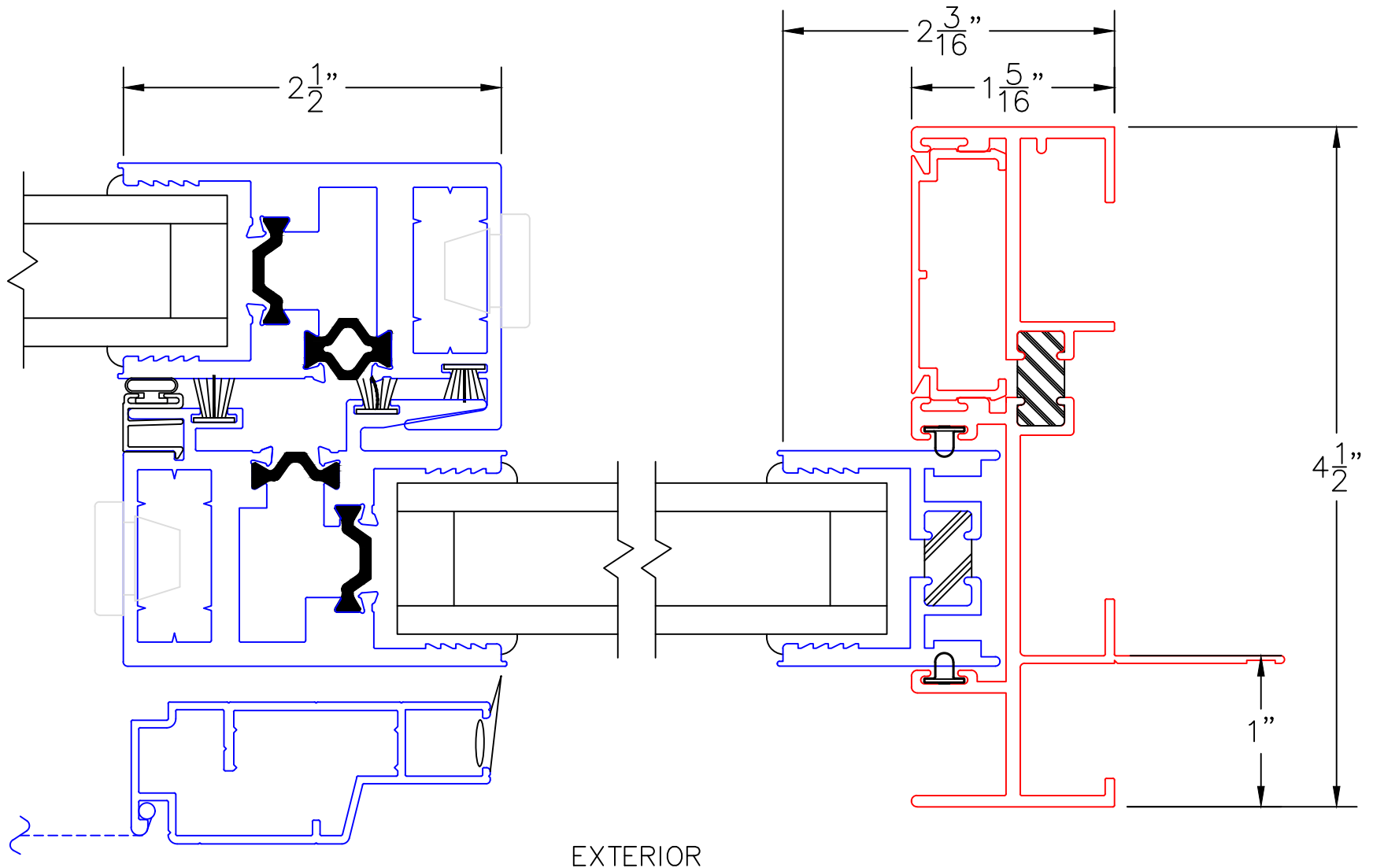
EXTERIOR

0 0.5 1  
(USE RULER TO SCALE DIMENSIONS IN INCHES)  
**SCALE: FULL**

SLIDING DOOR DETAILS  
1" INSULATED GLAZING SHOWN

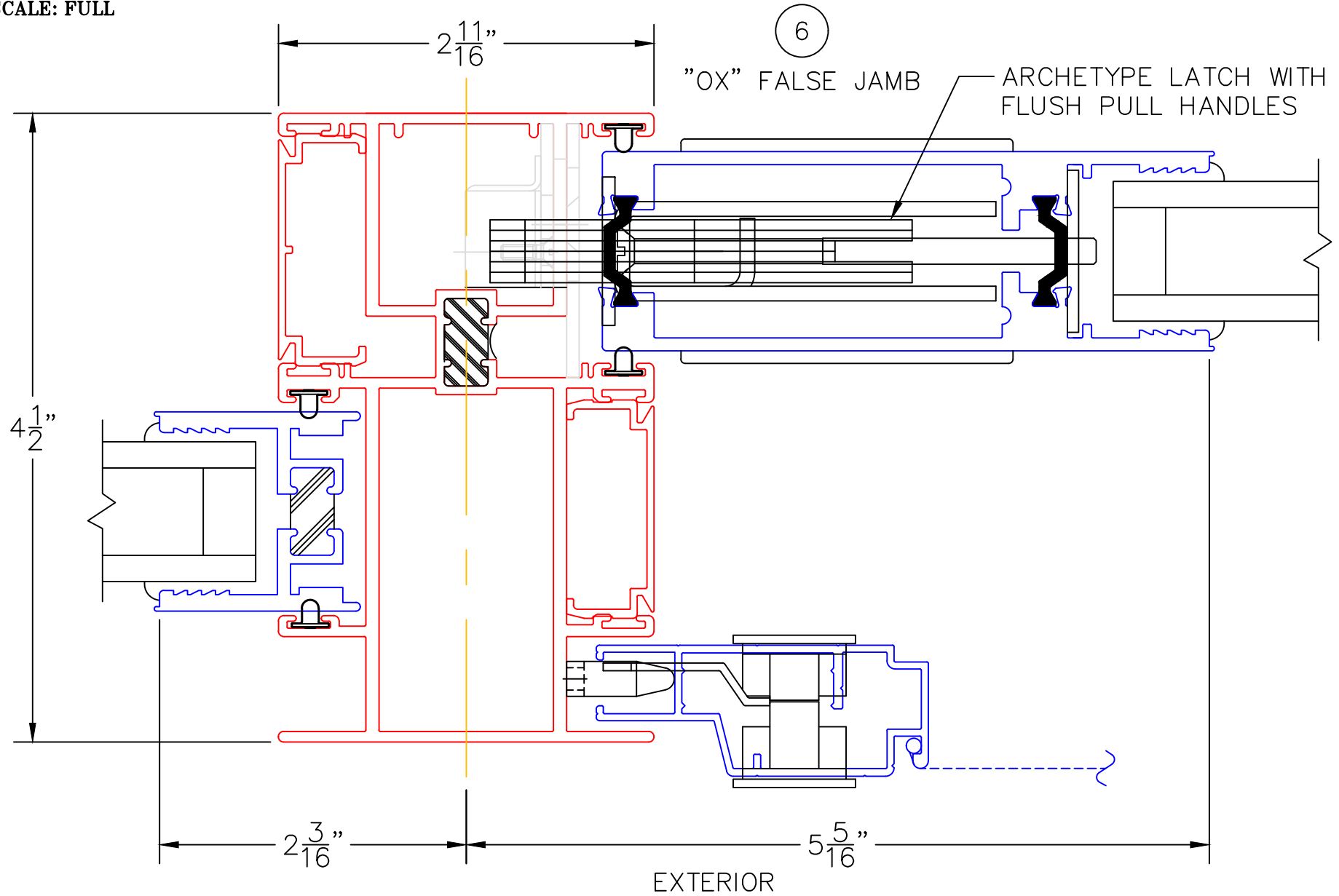
④  
STANDARD  
INTERLOCKERS

⑤  
NAIL-ON  
FIXED JAMB



0 0.5 1  
(USE RULER TO SCALE DIMENSIONS IN INCHES)  
**SCALE: FULL**

SLIDING DOOR DETAILS  
1" INSULATED GLAZING SHOWN



0 0.5 1  
(USE RULER TO SCALE DIMENSIONS IN INCHES)  
**SCALE: FULL**

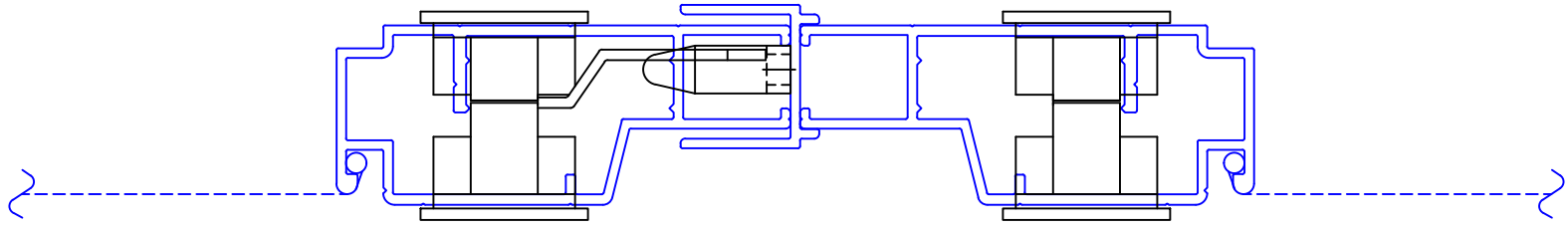
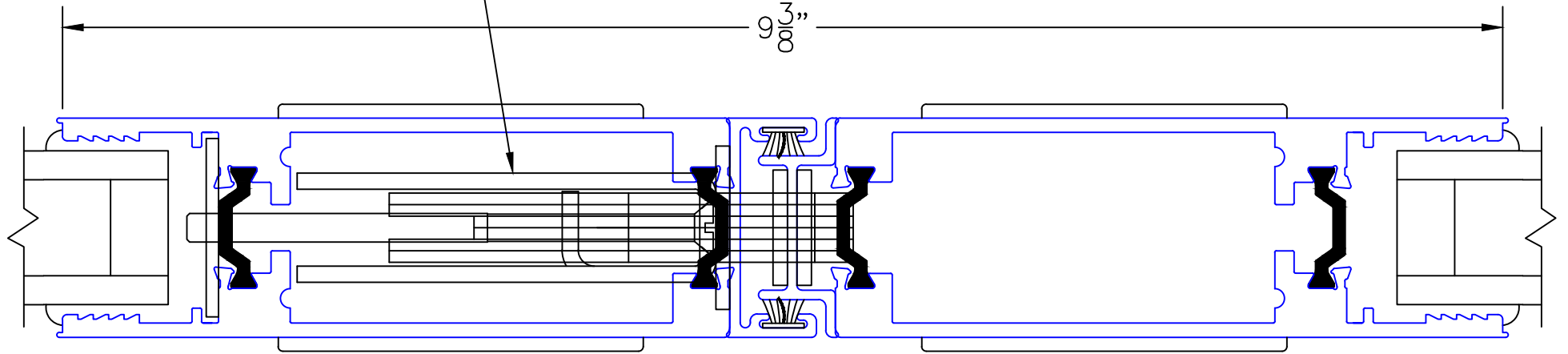
## SLIDING DOOR DETAILS 1" INSULATED GLAZING SHOWN

7

MEETING STILES

ARCHETYPE LATCH WITH  
FLUSH PULL HANDLES

9<sup>3</sup>/<sub>8</sub>"



EXTERIOR

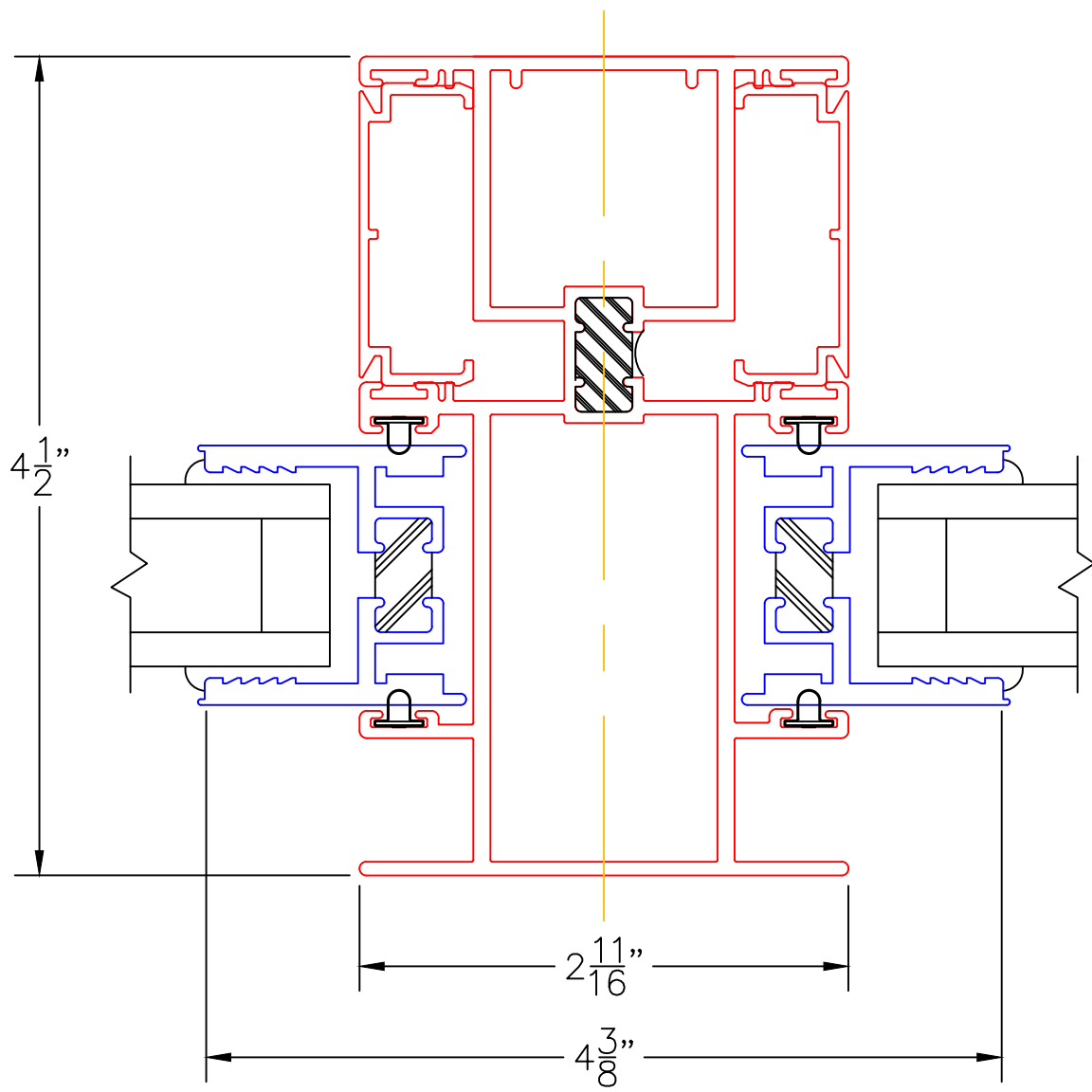


0 0.5 1  
(USE RULER TO SCALE DIMENSIONS IN INCHES)  
**SCALE: FULL**

SLIDING DOOR DETAILS  
1" INSULATED GLAZING SHOWN

8

"00"  
FALSE JAMB



EXTERIOR

0 0.5 1  
(USE RULER TO SCALE DIMENSIONS IN INCHES)  
**SCALE: FULL**

SLIDING DOOR DETAILS  
1" INSULATED GLAZING SHOWN

9

MUNTIN BAR

EXTERIOR

