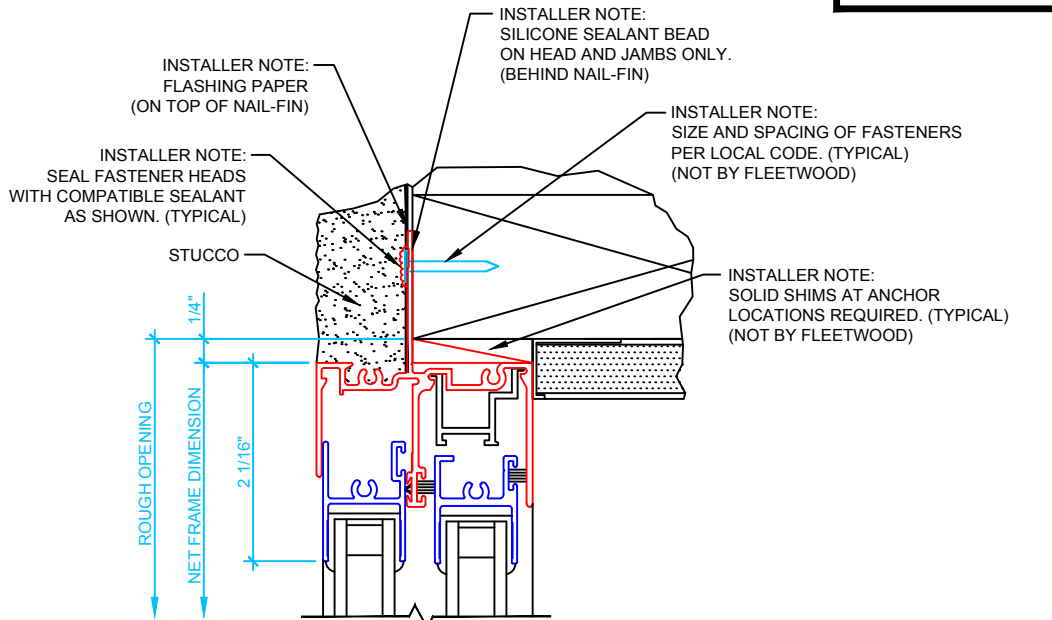


SERIES 250

ANCHOR LOCATION WORKSHEET

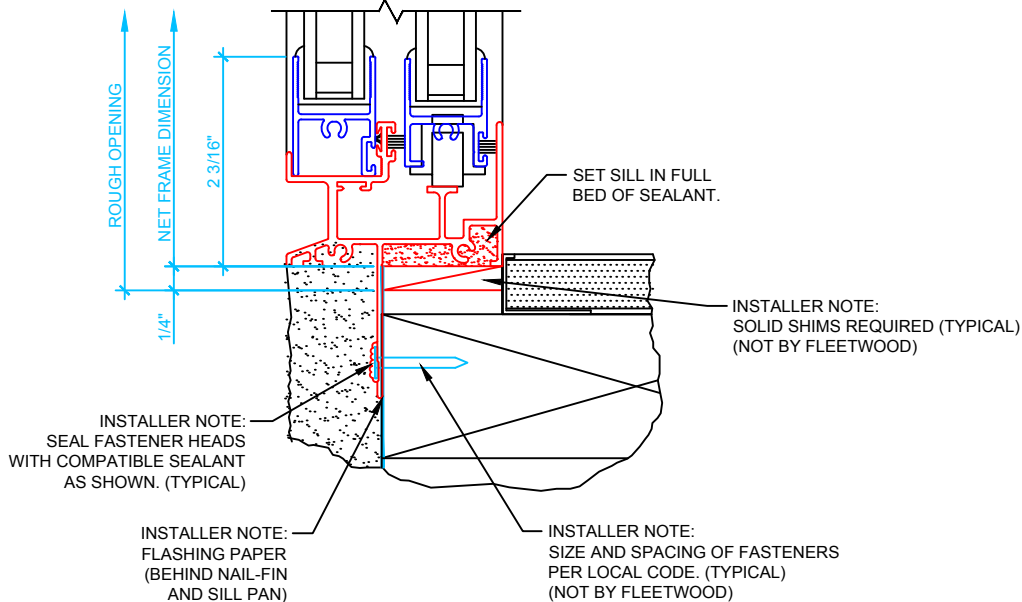
NAIL-ON FRAME

FRAME ANCHOR CHECKLIST	
FASTENER TYPE	
MINIMUM EMBEDMENT	
MINIMUM EDGE DISTANCE	
ANCHOR LOCATIONS	
FROM ENDS	
ON CENTER	



EXTERIOR

1 SLIDING WINDOW HEAD
JAMBS SIMILAR
SCALE: 6" = 1'



2 SLIDING WINDOW SILL
SCALE: 6" = 1'

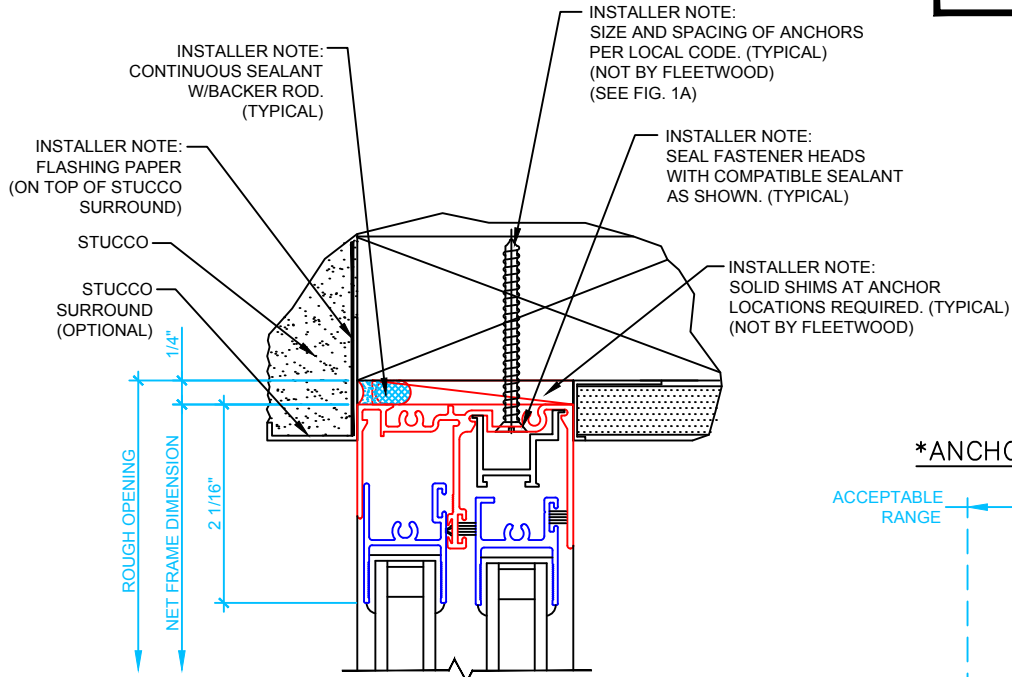
SILL DISCLAIMER: IT IS THE MANUFACTURERS DESIRE FOR THE INSTALLER TO **NOT** PIERCE THE SILL. IN SOME CASES THE CODE OR SPECIFICATIONS REQUIRE SUCH. IN THESE CASES THE INSTALLER IS RESPONSIBLE TO SEAL THESE BREACHES.

SERIES 250

ANCHOR LOCATION WORKSHEET

BLOCK FRAME

FRAME ANCHOR CHECKLIST	
FASTENER TYPE	
MINIMUM EMBEDMENT	
MINIMUM EDGE DISTANCE	
ANCHOR LOCATIONS	
FROM ENDS	
ON CENTER	



1 SLIDING WINDOW HEAD JAMBS SIMILAR
SCALE: 6" = 1'

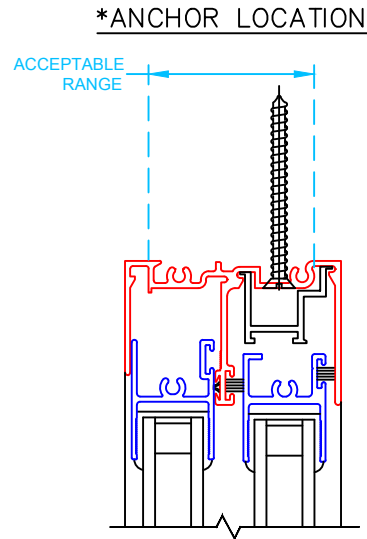
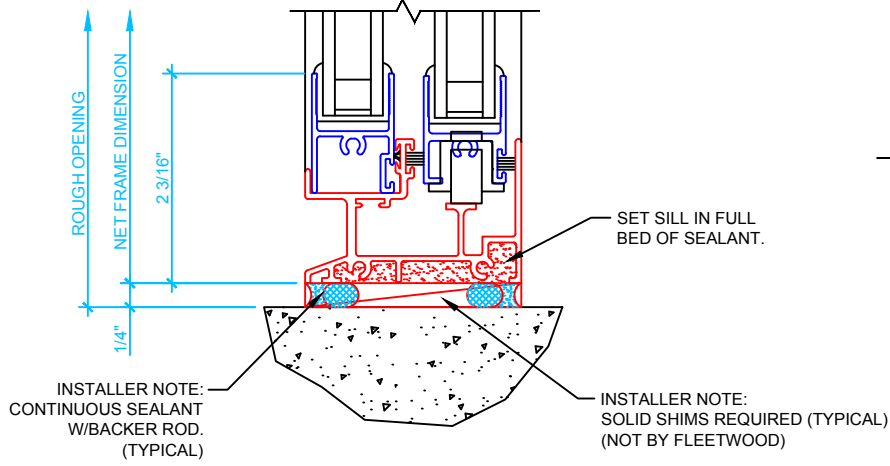


FIG. 1A



2 SLIDING WINDOW SILL
SCALE: 6" = 1'

NOTES: 1. *ANCHOR LOCATION: INSTALLER RESPONSIBLE TO ENSURE ANCHORS MAINTAIN EDGE DISTANCE ON STRUCTURE.
2. SILL DISCLAIMER: IT IS THE MANUFACTURERS DESIRE FOR THE INSTALLER TO **NOT** PIERCE THE SILL. IN SOME CASES THE CODE OR SPECIFICATIONS REQUIRE SUCH. IN THESE CASES THE INSTALLER IS RESPONSIBLE TO SEAL THESE BREACHES.