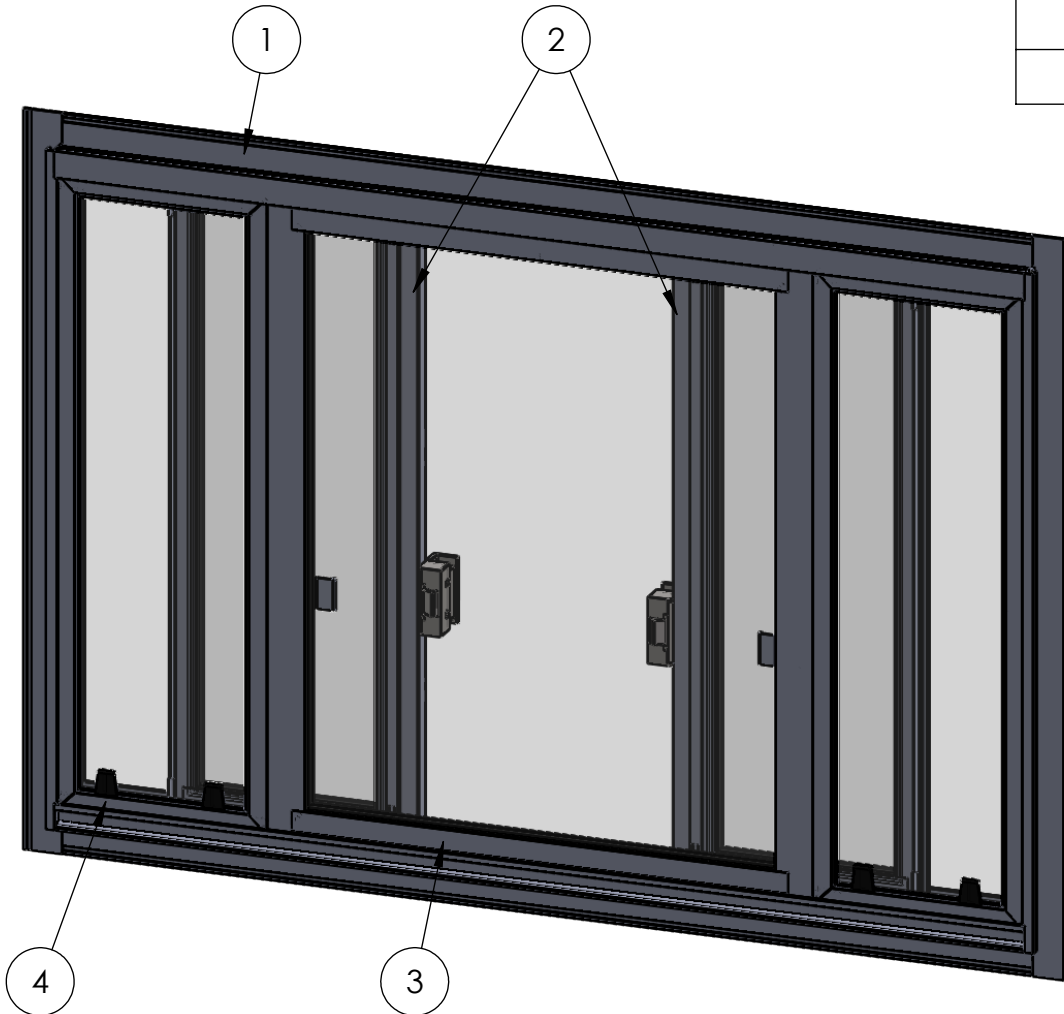


ASSEMBLY / PARTS LIST (B.O.M.)

SERIES: 250
CONFIGURATION: XOX

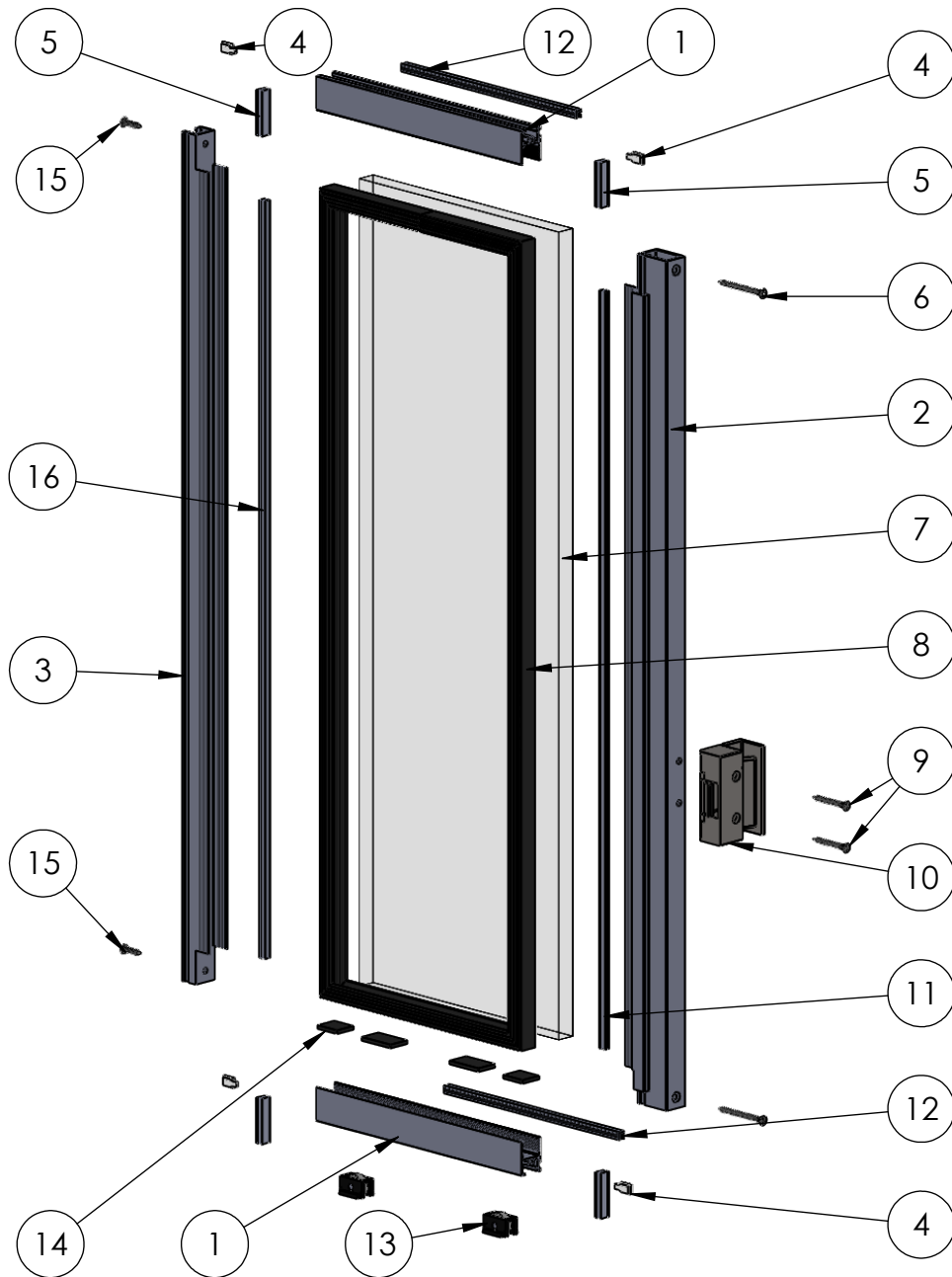
ITEM NO.	DESCRIPTION	QTY.
1	Frame Assembly	1
2	Sliding X Panel Assembly (Right and Left)	2
3	Fixed O Panel Assembly	1
4	Screen Assembly	2



Description Table of Contents	
File Name Series 250 Assembly XOX With Screens	REV
Released 8/7/2017	SHEET 1 OF 4

PROPRIETARY AND CONFIDENTIAL
 THE INFORMATION CONTAINED IN THIS DRAWING IS THE SOLE PROPERTY OF FLEETWOOD WINDOWS & DOORS.
 ANY REPRODUCTION IN PART OR AS A WHOLE WITHOUT THE WRITTEN PERMISSION OF FLEETWOOD WINDOWS & DOORS IS PROHIBITED.

ASSEMBLY / PARTS LIST (B.O.M.)



EXTRUSIONS

ITEM NO.	PART NUMBER	DESCRIPTION	QTY.
1	2014	Sliding Rail DG	2
2	2032	Sliding Interlock DG	1
3	2022	Lead Stile DG	1

HARDWARE

ITEM NO.	PART NUMBER	DESCRIPTION	QTY.
4	18900	Screen Glide	4
5	20515	Large Mohair, Adhesive Backing, 1.5 in (37027045BKAB)	4
6	20258	#8 FHP - A, 2 in, SS, Clear	2
7	-	Glass	1
8	19063	Glazing Vinyl, 0.625 in, BL 428	1
9	20252	#8 FHP - A, 1.5 in, SS, Clear	2
10	24636	Archetype Sliding Window Latch SS (170-000)	1
11	19123	Short Regular Mohair (18027045BKWP)	1
12	20487	Small Regular Mohair (23027045BKWP)	2
13	22986	Roller SSB	2
14	052302	1/8" Setting Block (Shim)	4
15	20314	#8 PHP-A Screw, .75 in, SS, Clear	2
16	19118	Small Fin Seal Mohair (23027045BKQB)	1

Description
X Panel Assembly

File Name
Series 250 Assembly XOX
With Screens

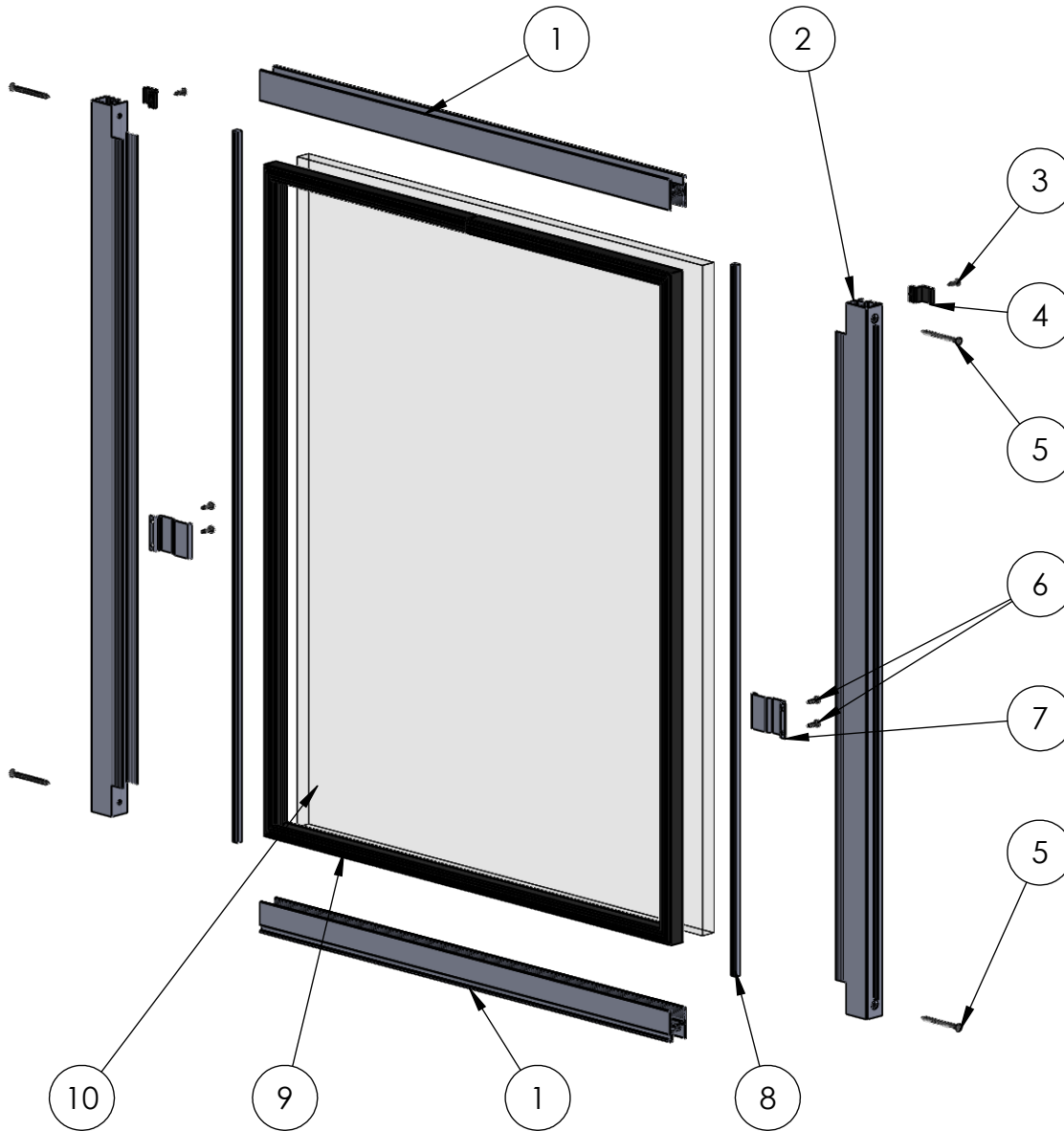
REV

PROPRIETARY AND CONFIDENTIAL
THE INFORMATION CONTAINED IN THIS DRAWING IS THE SOLE PROPERTY OF FLEETWOOD WINDOWS & DOORS.
ANY REPRODUCTION IN PART OR AS A WHOLE WITHOUT THE WRITTEN PERMISSION OF FLEETWOOD WINDOWS & DOORS IS PROHIBITED.

Released 8/7/2017

SHEET 2 OF 4

ASSEMBLY / PARTS LIST (B.O.M.)



EXTRUSIONS

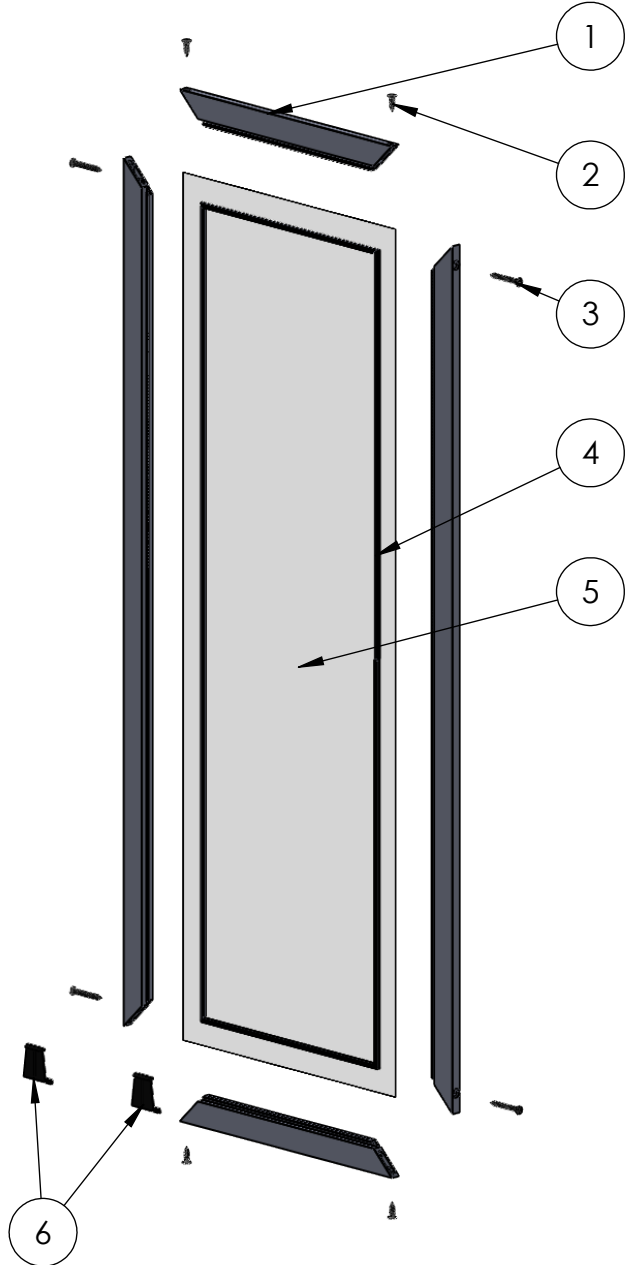
ITEM NO.	PART NUMBER	DESCRIPTION	QTY.
1	2012	Fixed Rail DG	2
2	2042	Fixed Interlock DG	2

HARDWARE

ITEM NO.	PART NUMBER	DESCRIPTION	QTY.
3	20229	#6 PHP - TEK, 0.5in, SS, Black	2
4	19101	Fixed Interlock Air Barrier (BL 857)	2
5	20258	#8 FHP - A, 2 in, SS, Clear	4
6	20228	#6 PHP - TEK, .5 in, 410 SS, Clear	4
7	23233	New Westwood Strike (sliding window) (170-004)	2
8	20487	Small Regular Mohair (23027045BKWP)	2
9	19063	Glazing Vinyl, 0.625 in, BL 428	2
10	-	Glass	1

Description O Panel Assembly	
File Name Series 250 Assembly XO With Screens	REV
Released 8/7/2017	SHEET 3 OF 4

ASSEMBLY / PARTS LIST (B.O.M.)



EXTRUSIONS

ITEM NO.	PART NUMBER	DESCRIPTION	QTY.
1	114	5/16" Screen Frame	4

HARDWARE

ITEM NO.	PART NUMBER	DESCRIPTION	QTY.
2	25752	#6 FHP Screw, 0.5 in, SS, Clear	4
3	25751	#6 FHP-A, 1.25 in, SS, Clear	4
4	19127	Screen Rubber Spline 0.15"	1
5	-	Screen Mesh	1
6	25945	Screen Tab	2

Description Screen Assembly	
File Name Series 250 Assembly XOX With Screens	REV
Released 8/7/2017	SHEET 4 OF 4