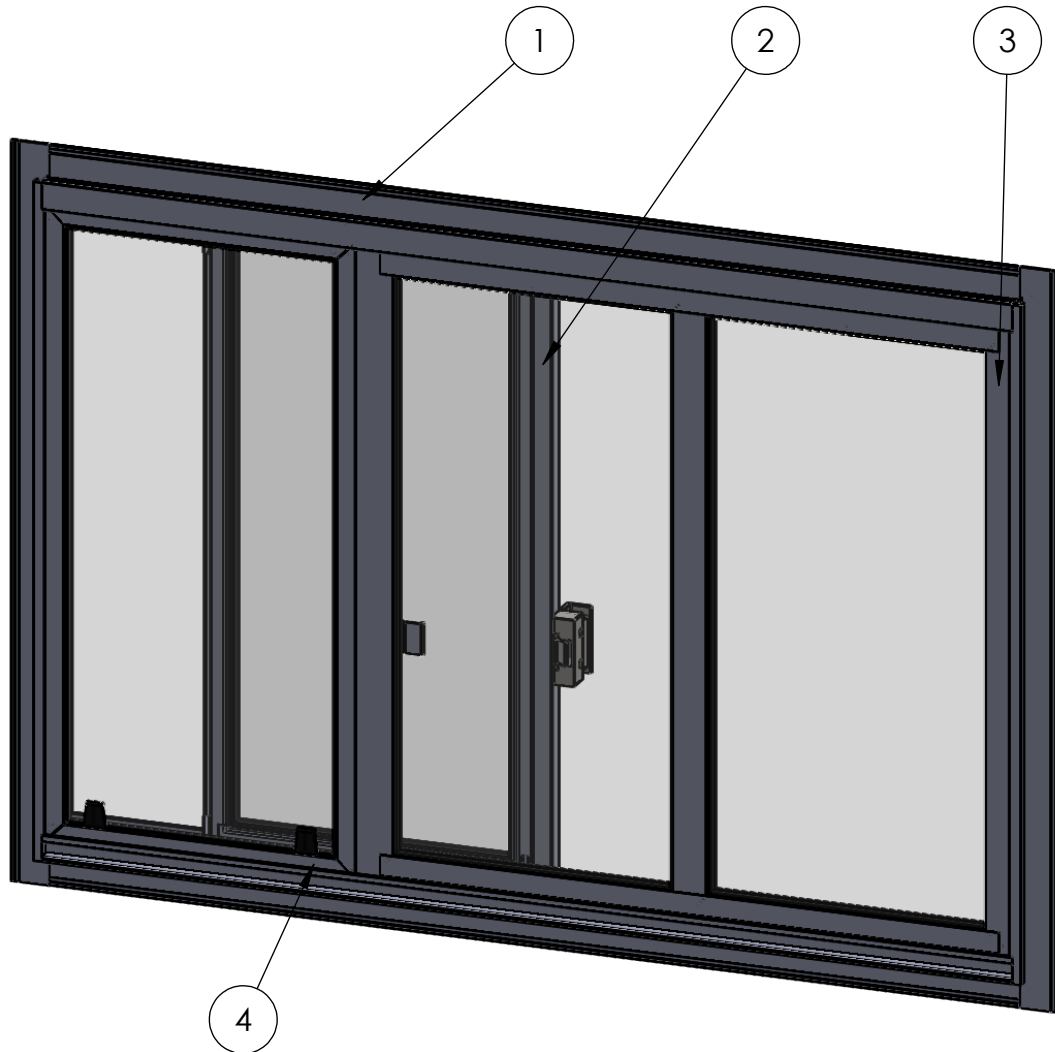


# ASSEMBLY / PARTS LIST (B.O.M.)

**SERIES: 250**  
**CONFIGURATION: XOO**

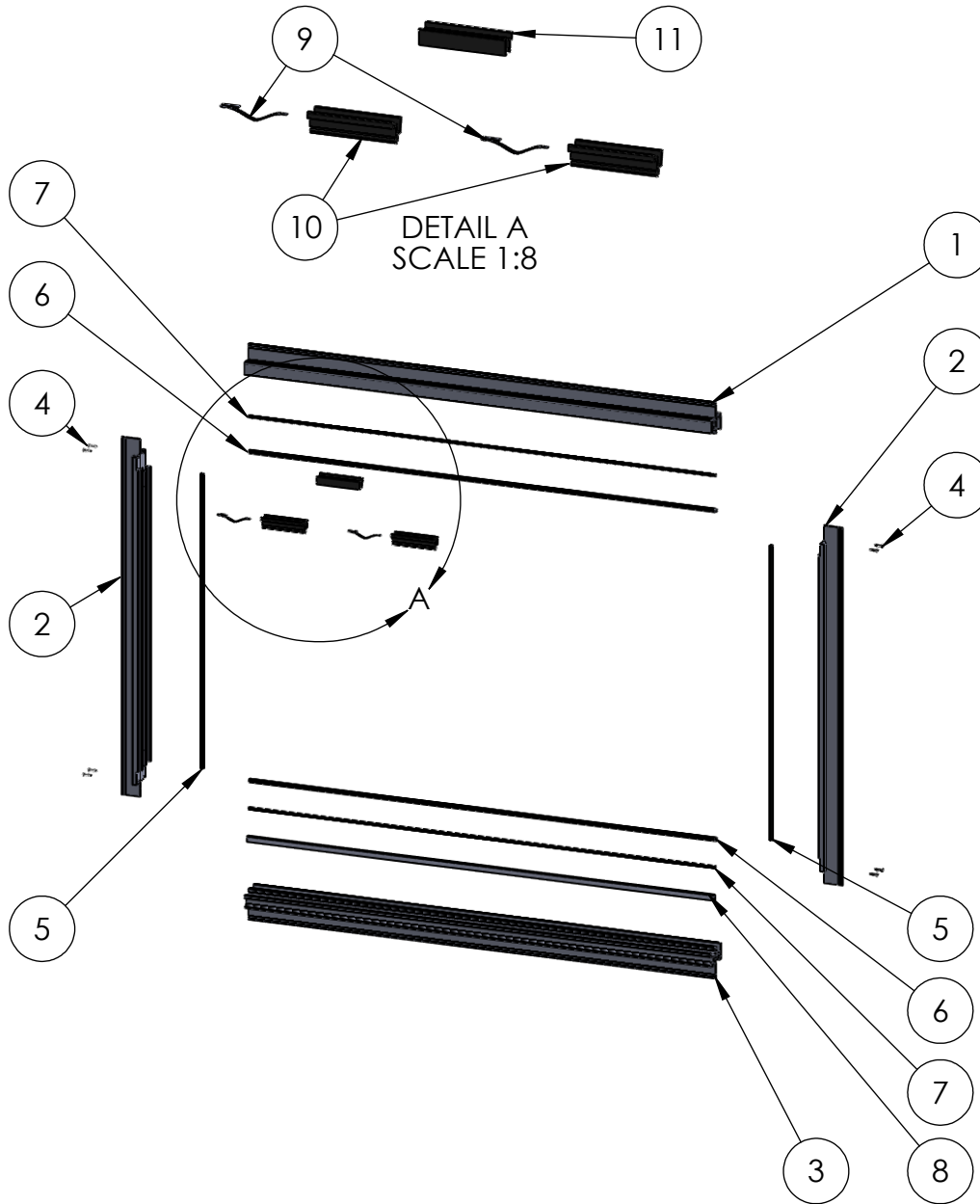
ITEM NO.	DESCRIPTION	QTY.	PAGE #
1	Frame Assembly	1	2
2	Sliding X Panel Assembly	1	3
3	Fixed OO Panel Assembly	1	4-5
4	Screen Assembly	1	6



Description Table of Contents	
File Name Series 250 Assembly XOO With Screen	REV
Released 8/4/2017	SHEET 1 OF 6

**PROPRIETARY AND CONFIDENTIAL**  
 THE INFORMATION CONTAINED IN THIS DRAWING IS THE SOLE PROPERTY OF FLEETWOOD WINDOWS & DOORS.  
 ANY REPRODUCTION IN PART OR AS A WHOLE WITHOUT THE WRITTEN PERMISSION OF FLEETWOOD WINDOWS & DOORS IS PROHIBITED.

# ASSEMBLY / PARTS LIST (B.O.M.)

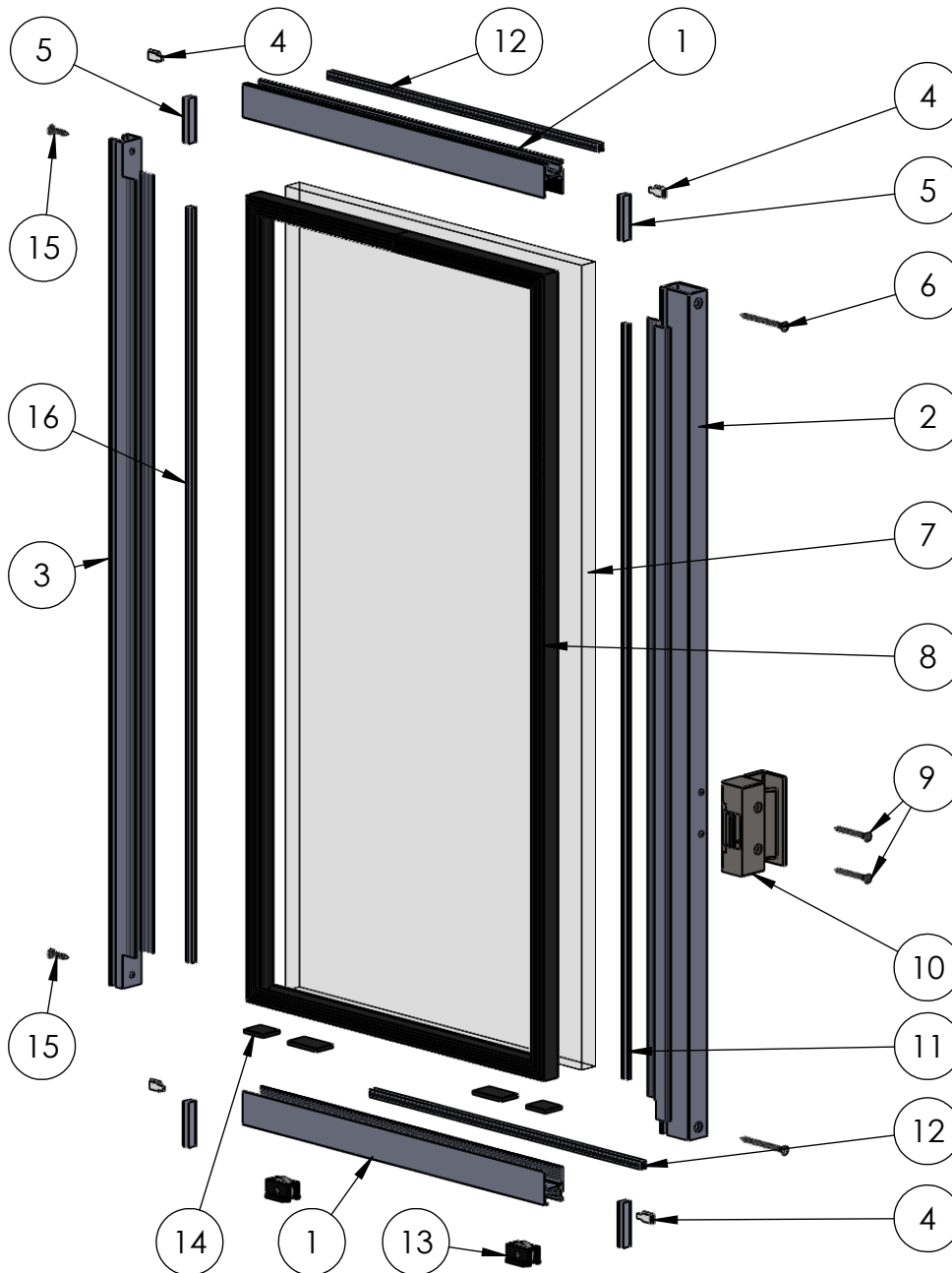


EXTRUSIONS			
ITEM NO.	PART NUMBER	DESCRIPTION	QTY.
1	2000	Nail-fin Head	1
2	2005	Nail-Fin Jamb	2
3	2001	Nail-fin Sill	1
HARDWARE			
ITEM NO.	PART NUMBER	DESCRIPTION	QTY.
4	20236	#6 PHP - A, .75 in, SS, Clear	8
5	19123	Short Regular Mohair (18027045BKWP)	2
6	19118	Small Fin Seal Mohair (23027045BKQB)	2
7	19052	2 Finger Vinyl - Windows (BL 976)	2
8	20516	X-Large Fin Seal Mohair (50027045BKGB)	1
9	18912	Screen Spacer Spring Clip	2
10	19109	Screen Spacer	2
11	19108	Anti Lift Spacer, BL856	1

Description Frame Assembly	
File Name Series 250 Assembly XO0 With Screen	REV
Released	8/4/2017
SHEET 2 OF 6	

**PROPRIETARY AND CONFIDENTIAL**  
 THE INFORMATION CONTAINED IN THIS DRAWING IS THE SOLE PROPERTY OF FLEETWOOD WINDOWS & DOORS.  
 ANY REPRODUCTION IN PART OR AS A WHOLE WITHOUT THE WRITTEN PERMISSION OF FLEETWOOD WINDOWS & DOORS IS PROHIBITED.

# ASSEMBLY / PARTS LIST (B.O.M.)



## EXTRUSIONS

ITEM NO.	PART NUMBER	DESCRIPTION	QTY.
1	2014	Sliding Rail DG	2
2	2032	Sliding Interlock DG	1
3	2022	Lead Stile DG	1

## HARDWARE

ITEM NO.	PART NUMBER	DESCRIPTION	QTY.
4	18900	Screen Glide	4
5	20515	Large Mohair, Adhesive Backing, 1.5 in (37027045BKAB)	4
6	20258	#8 FHP - A, 2 in, SS, Clear	2
7	-	Glass	1
8	19063	Glazing Vinyl, 0.625 in, BL 428	1
9	20252	#8 FHP - A, 1.5 in, SS, Clear	2
10	24636	Archetype Sliding Window Latch SS (170-000)	1
11	19123	Short Regular Mohair (18027045BKWP)	1
12	20487	Small Regular Mohair (23027045BKWP)	2
13	22986	Roller SSB	2
14	052302	1/8" Setting Block (Shim)	4
15	20314	#8 PHP-A Screw, .75 in, SS, Clear	2
16	19118	Small Fin Seal Mohair (23027045BKQB)	1

Description

X Panel Assembly

File Name

Series 250 Assembly XO0  
With Screen

REV

Released

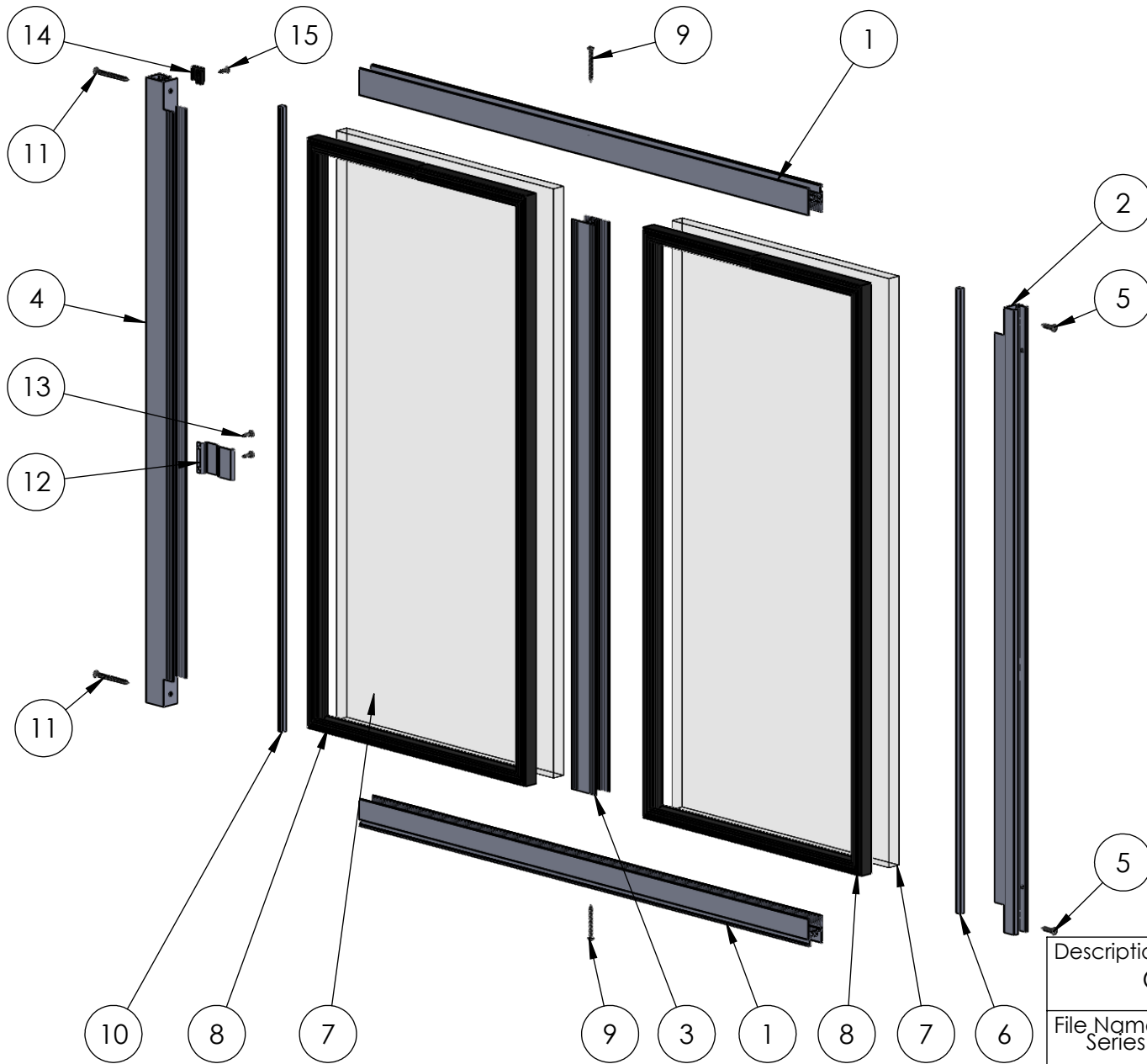
8/4/2017

SHEET 3 OF 6

**PROPRIETARY AND CONFIDENTIAL**

THE INFORMATION CONTAINED IN THIS DRAWING IS THE SOLE PROPERTY OF FLEETWOOD WINDOWS & DOORS.  
ANY REPRODUCTION IN PART OR AS A WHOLE WITHOUT THE WRITTEN PERMISSION OF FLEETWOOD WINDOWS & DOORS IS PROHIBITED.

# ASSEMBLY / PARTS LIST (B.O.M.)



**PROPRIETARY AND CONFIDENTIAL**  
 THE INFORMATION CONTAINED IN THIS DRAWING IS THE SOLE PROPERTY OF FLEETWOOD WINDOWS & DOORS.  
 ANY REPRODUCTION IN PART OR AS A WHOLE WITHOUT THE WRITTEN PERMISSION OF FLEETWOOD WINDOWS & DOORS IS PROHIBITED.

Description OO Panel Assembly	
File Name Series 250 Assembly XOO With Screen	REV
Released	8/4/2017
SHEET 4 OF 6	

# ASSEMBLY / PARTS LIST (B.O.M.)

## EXTRUSIONS

ITEM NO.	PART NUMBER	DESCRIPTION	QTY.
1	2012	Fixed Rail DG	2
2	2022	Lead Stile DG	1
3	2062	Muntin DG	1
4	2042	Fixed Interlock DG	1

## HARDWARE

ITEM NO.	PART NUMBER	DESCRIPTION	QTY.
5	20314	#8 PHP-A Screw, .75 in, SS, Clear	2
6	19118	Small Fin Seal Mohair (23027045BKQB)	1
7	-	Glass	2
8	19063	Glazing Vinyl, 0.625 in, BL 428	2
9	20237	#6 PHP - A, 1.5 in, SS, Clear	2
10	20487	Small Regular Mohair (23027045BKWP)	1
11	20258	#8 FHP - A, 2 in, SS, Clear	2
12	23233	New Westwood Strike (sliding window) (170-004)	1
13	20228	#6 PHP - TEK, .5 in, 410 SS, Clear	2
14	19101	Fixed Interlock Air Barrier (BL 857)	1
15	20229	#6 PHP - TEK, 0.5in, SS, Black	1

Description  
OO Panel B.O.M.

File Name  
Series 250 Assembly XO0  
With Screen

REV

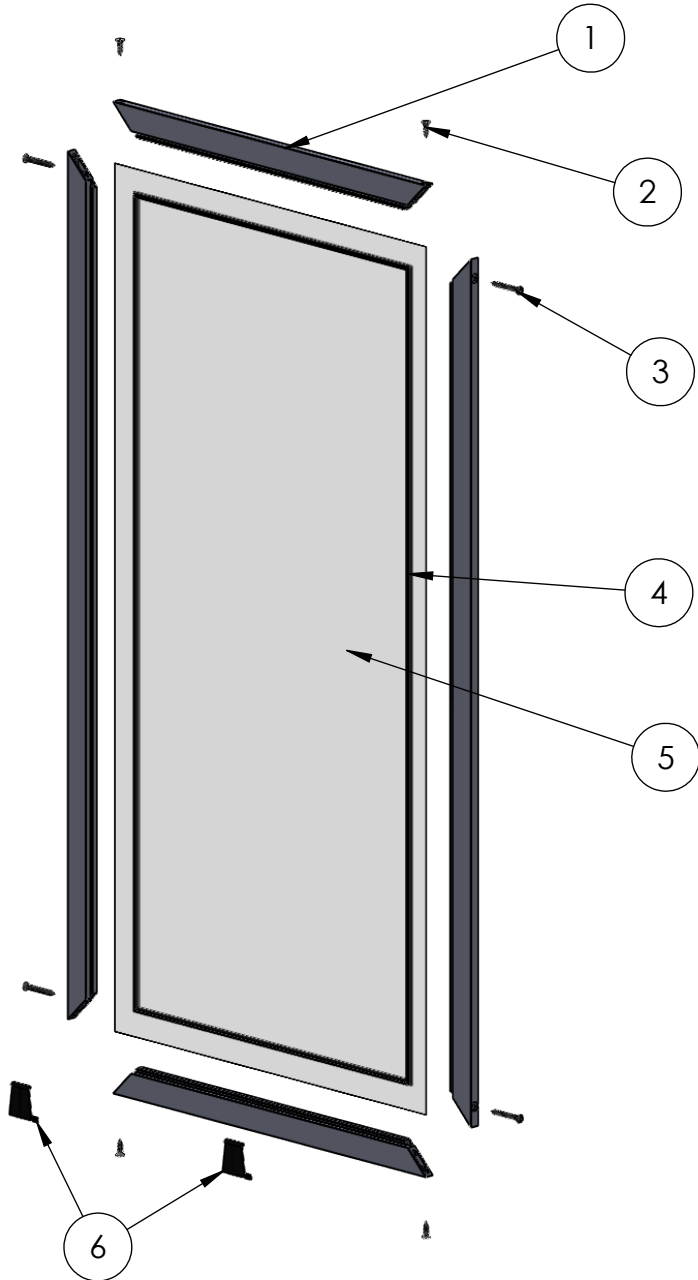
**PROPRIETARY AND CONFIDENTIAL**

THE INFORMATION CONTAINED IN THIS DRAWING IS THE SOLE PROPERTY OF FLEETWOOD WINDOWS & DOORS.  
ANY REPRODUCTION IN PART OR AS A WHOLE WITHOUT THE WRITTEN PERMISSION OF FLEETWOOD WINDOWS & DOORS IS PROHIBITED.

Released 8/4/2017

SHEET 5 OF 6

# ASSEMBLY / PARTS LIST (B.O.M.)



## EXTRUSIONS

ITEM NO.	PART NUMBER	DESCRIPTION	QTY.
1	114	.3125 Screen Frame	4

## HARDWARE

ITEM NO.	PART NUMBER	DESCRIPTION	QTY.
2	25752	#6 FHP Screw, 0.5 in, SS, Clear	4
3	25751	#6 FHP-A, 1.25 in, SS, Clear	4
4	19127	Screen Rubber Spline .150	1
5	-	Screen Mesh	1
6	25945	Screen Tab	2

Description Screen Assembly	
File Name Series 250 Assembly XOO With Screen	REV
Released	8/4/2017
SHEET 6 OF 6	

**PROPRIETARY AND CONFIDENTIAL**  
 THE INFORMATION CONTAINED IN THIS DRAWING IS THE SOLE PROPERTY OF FLEETWOOD WINDOWS & DOORS.  
 ANY REPRODUCTION IN PART OR AS A WHOLE WITHOUT THE WRITTEN PERMISSION OF FLEETWOOD WINDOWS & DOORS IS PROHIBITED.