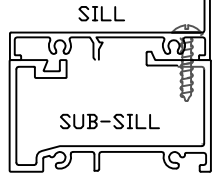


# FLEETWOOD WINDOWS & DOORS

## INSTALLATION/ASSEMBLY SERIES 250

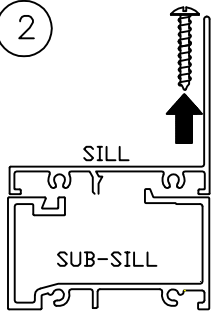
### SUBSILL INSTALLATION

1



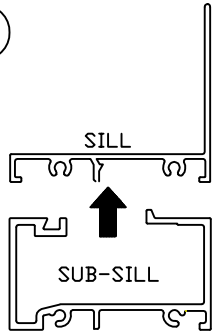
1. WHEN YOU RECEIVE YOUR K.D. WINDOW, THE SILL AND SUB-SILL WILL BE ATTACHED WITH SCREWS, AS SHOWN.

2



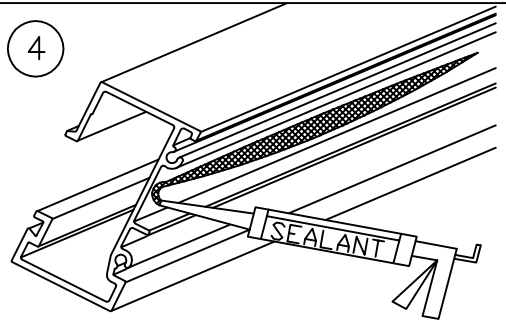
2. SEPARATE THE SILL FROM THE SUB-SILL, BY REMOVING THE SCREWS, AS SHOWN.

3



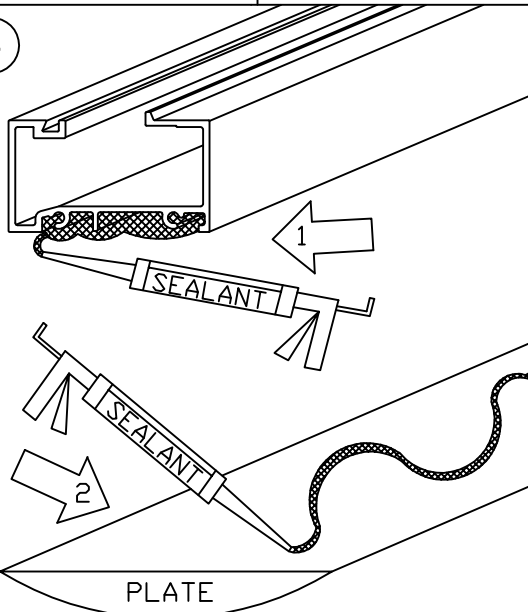
3. TAKE THE SILL AND ASSEMBLE THE FRAME, AS INSTRUCTED IN THE FRAME ASSEMBLY INSTRUCTIONS.

4



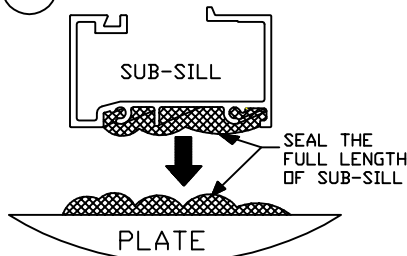
NOTE: BEFORE SETTING AND SECURING THE SUB-SILL INTO THE OPENING, COMPLETELY FILL THE CONTOURS IN THE BOTTOM OF THE SUB-SILL WITH COMPATIBLE SEALANT, AS SHOWN.

5



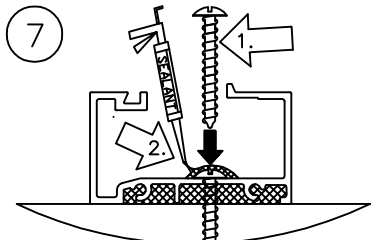
1. FILL IN THE BOTTOM OF THE SUB-SILL COMPLETELY WITH COMPATIBLE SEALANT, AS SHOWN.  
2. BEFORE SETTING THE SUB-SILL ONTO THE PLATE, CREATE A BED OF SEALANT WHERE THE SUB-SILL IS TO REST, AS SHOWN.

6



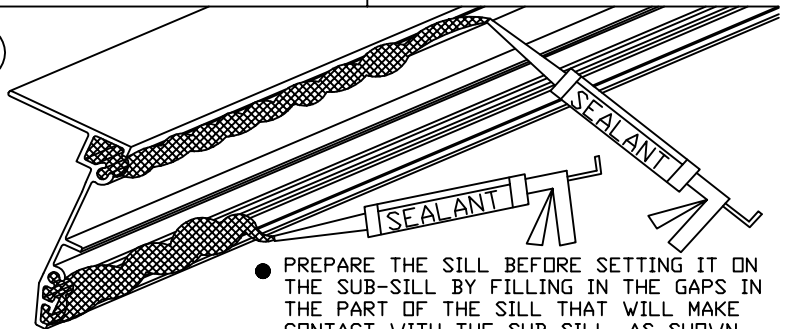
● SET THE SUB-SILL ON THE PLATE INTO A FULL BED OF SEALANT, AS SHOWN.

7



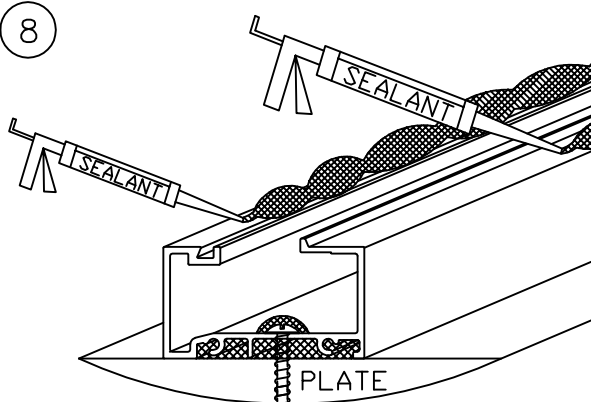
1. SECURE THE SUB-SILL TO THE PLATE WITH #8 X 2" TRUSS HEAD S.M.S. AT A MAX. OF 18" ON CENTER, AS SHOWN.  
2. SEAL ON AND AROUND THE SCREW HEADS WITH COMPATIBLE SEALANT, AS SHOWN.

9



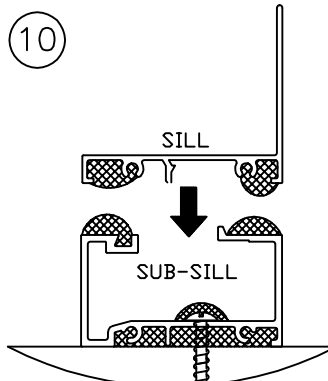
● PREPARE THE SILL BEFORE SETTING IT ON THE SUB-SILL BY FILLING IN THE GAPS IN THE PART OF THE SILL THAT WILL MAKE CONTACT WITH THE SUB-SILL, AS SHOWN.

8



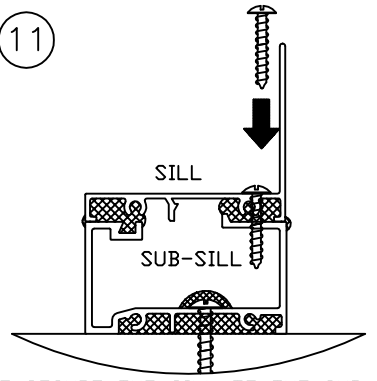
● PREPARE THE SUB-SILL PRIOR TO SETTING AND ATTACHING THE SILL BY RUNNING A FULL BEAD OF SEALANT ACROSS THE TOP OF THE SILL ON BOTH SIDES, FOR THE FULL LENGTH OF THE SUB-SILL.

10



● SET THE SILL ON THE SUB-SILL, AS SHOWN ABOVE.  
NOTE: MAKE SURE THAT YOU ASSEMBLE THE FRAME, BEFORE YOU ATTACH THE SILL TO SUB-SILL.

11



● RE-SECURE THE SILL TO THE SUB-SILL, USING THE SCREWS THAT WERE REMOVED IN THE BEGINNING, AS SHOWN.  
IMPORTANT NOTE : FAILURE TO FOLLOW THESE INSTRUCTIONS, NULLIFIES ALL WARRANTIES RELATED TO THIS PRODUCT.