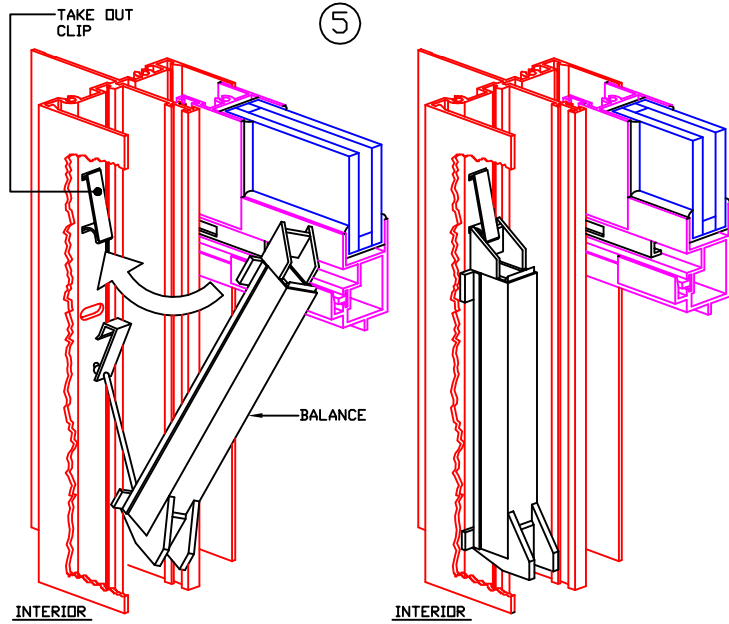


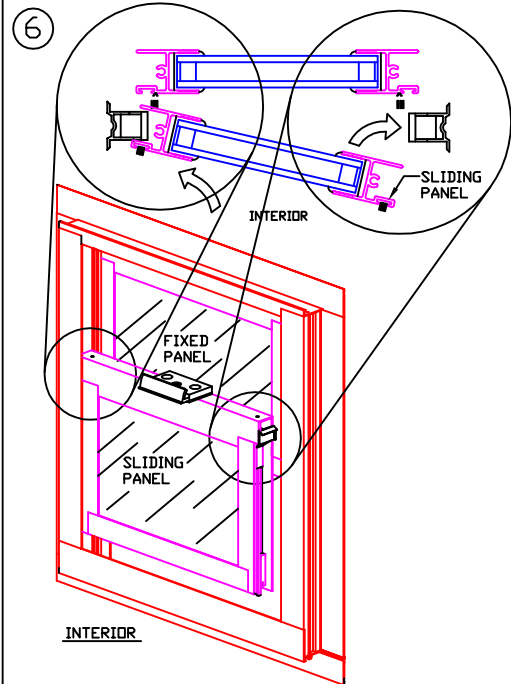
FLEETWOOD WINDOWS & DOORS

INSTALLATION/ASSEMBLY SERIES 250

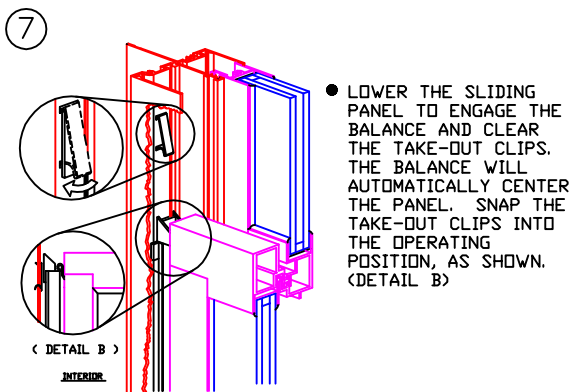
PANEL & SCREEN INSTALLATION



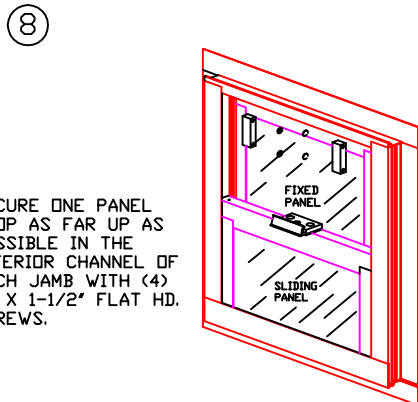
- INSTALL THE TAKE-OUT CLIPS, AND LEAVE IN THE TAKE-OUT POSITION.
- HOOK THE BALANCE TERMINAL CLIP INTO POSITION, AS SHOWN. SLIDE THE BALANCE DOWN AND SECURE UNDER THE TAKE-OUT CLIP, AS SHOWN.



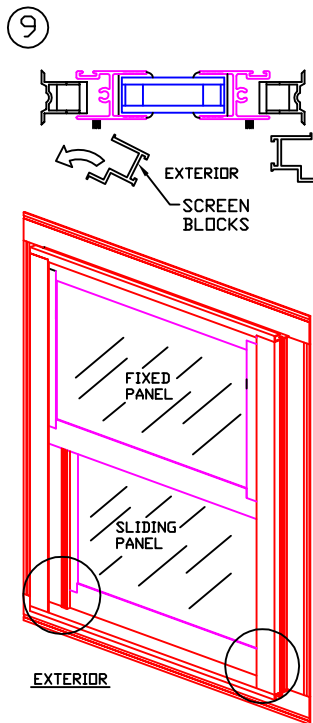
- INSERT ONE SIDE OF THE SLIDING PANEL INTO THE JAMB 2" OR 3" ABOVE THE TAKE-OUT CLIP. SWING THE OTHER SIDE INTO ALIGNMENT WITHIN BOTH JAMBS.



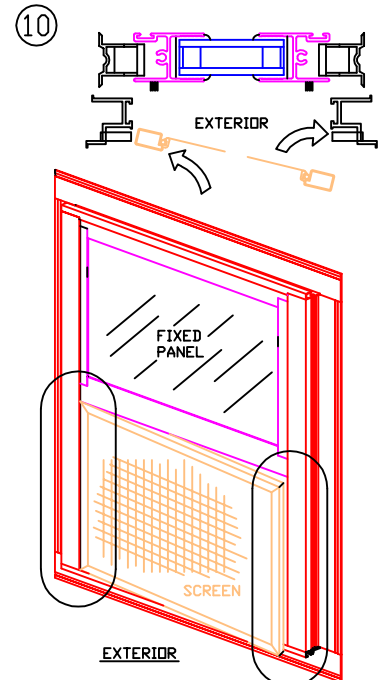
- LOWER THE SLIDING PANEL TO ENGAGE THE BALANCE AND CLEAR THE TAKE-OUT CLIPS. THE BALANCE WILL AUTOMATICALLY CENTER THE PANEL. SNAP THE TAKE-OUT CLIPS INTO THE OPERATING POSITION, AS SHOWN. (DETAIL B)



- SECURE ONE PANEL STOP AS FAR UP AS POSSIBLE IN THE INTERIOR CHANNEL OF EACH JAMB WITH (4) #8 X 1-1/2" FLAT HD. SCREWS.



- INSERT A SET OF TWO SCREEN CENTERING BLOCKS INTO THE EXTERIOR CHANNEL OF EACH JAMB, ONE AT BOTTOM CORNERS ONLY.



- INSERT ONE SIDE OF THE SCREEN INTO THE EXTERIOR CHANNEL OF THE JAMB, RESTING IT WITHIN THE SCREEN BLOCKS AND COMPRESSING THE SPRING ENOUGH TO ALLOW THE OTHER SIDE TO SWING IN AND REST UP AGAINST THE SCREEN BLOCK IN THE OTHER JAMB, AS SHOWN.