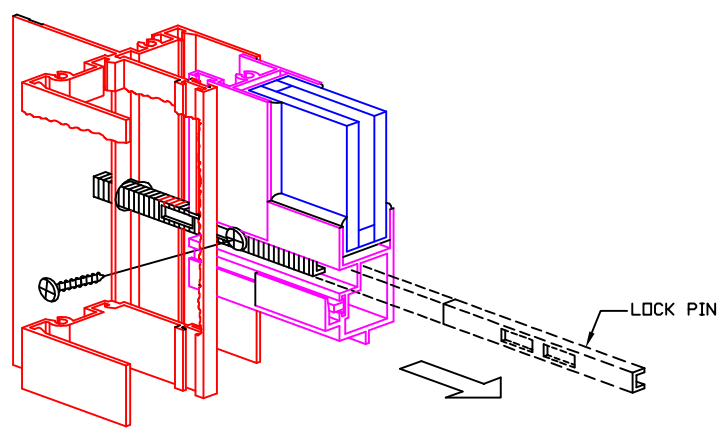


# FLEETWOOD WINDOWS & DOORS

## INSTALLATION/ASSEMBLY SERIES 250

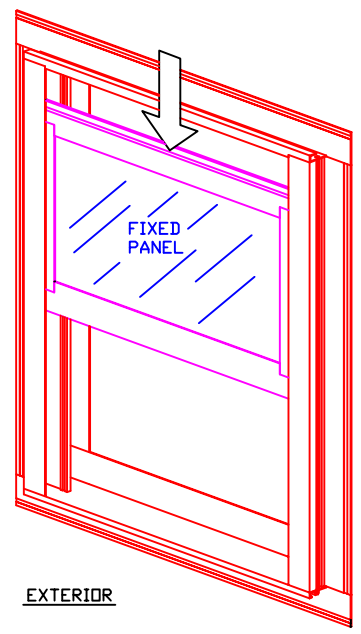
### SH PANEL REMOVAL

5



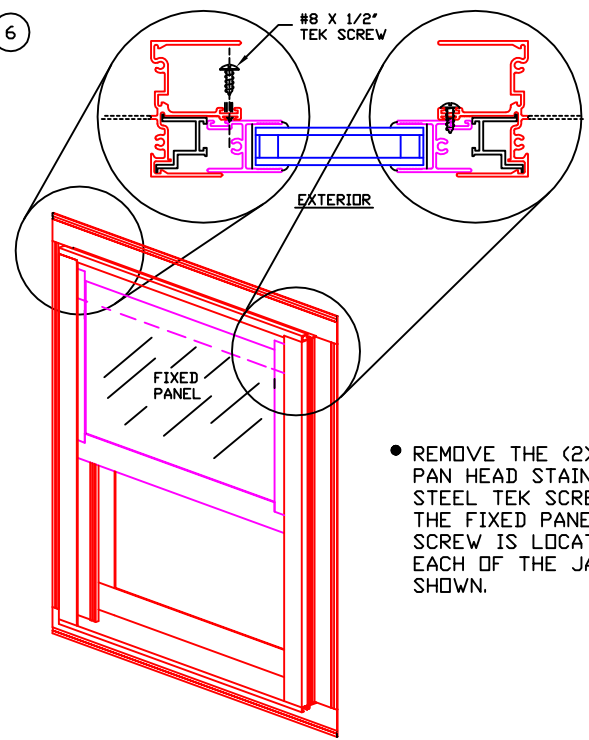
- REMOVE #6 X 1/2" TEK SCREWS FROM FIXED PANEL LOCK PIN.
- SLIDE FIXED PANEL LOCK PIN OUT FROM PREDRILLED HOLE IN JAMB AND REMOVE FROM THE GROOVE IN THE INTERLOCKER, AS SHOWN.

7



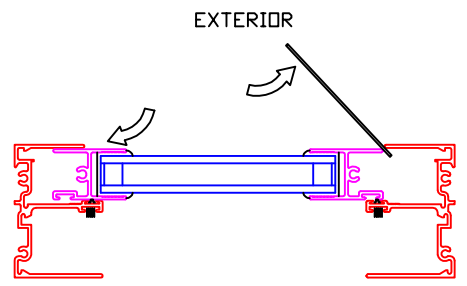
- SLIDE FIXED PANEL DOWN OUT OF HEAD.

6

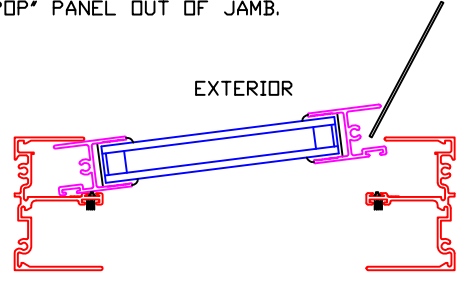


- REMOVE THE (2) #6 X 1/2" PAN HEAD STAINLESS STEEL TEK SCREWS FROM THE FIXED PANEL. ONE SCREW IS LOCATED AT EACH OF THE JAMBS, AS SHOWN.

8



- SLIDE PANEL AS FAR AS POSSIBLE INTO ONE OF THE JAMBS AND SWING OPPOSITE SIDE OUT OF JAMB.
- IN REMOVING PANEL, IT MAY BE NECESSARY TO WEDGE A FLAT BLADE PUTTY KNIFE OR UTILITY TOOL BETWEEN PANEL AND JAMB AND APPLY PRESSURE IN ORDER TO "POP" PANEL OUT OF JAMB.



- THE PANEL MAY NOW BE REMOVED COMPLETELY.

