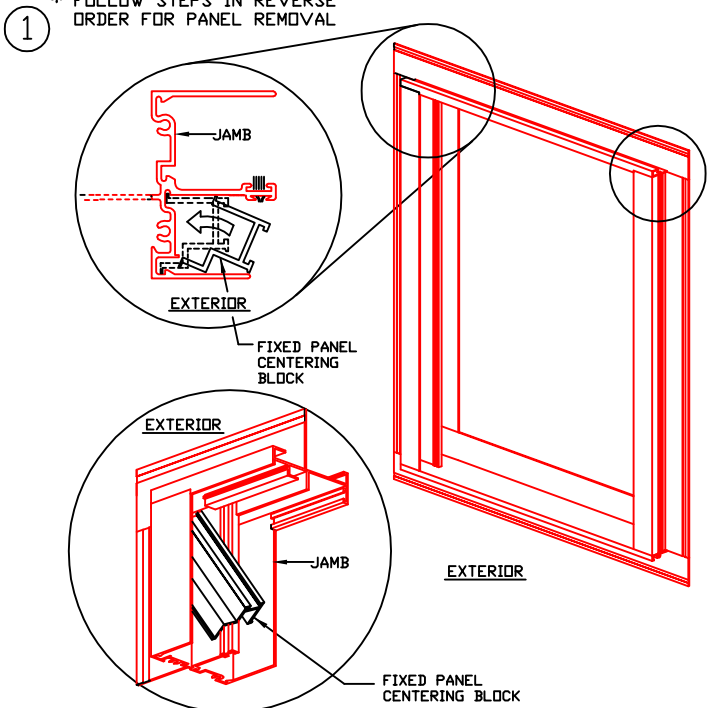


FLEETWOOD WINDOWS & DOORS

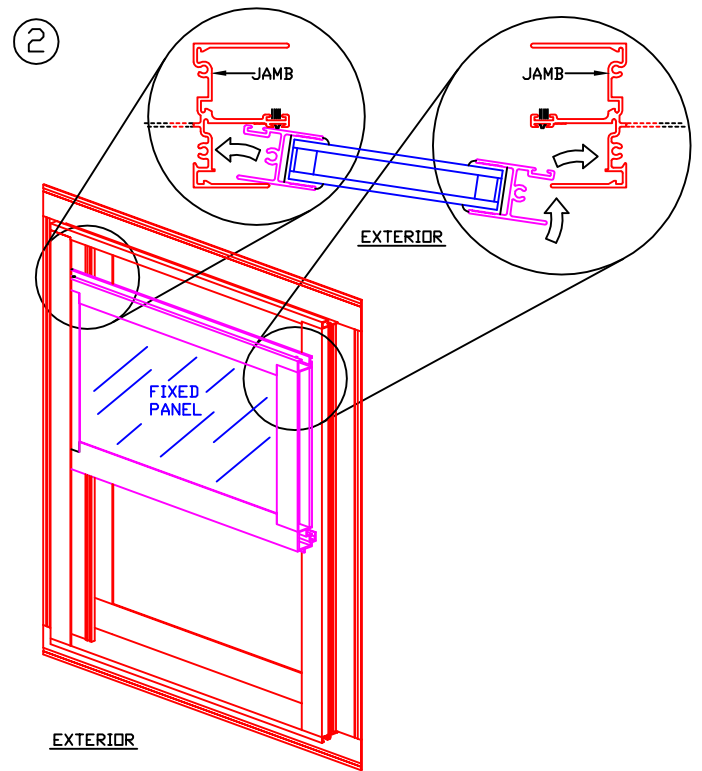
INSTALLATION/ASSEMBLY SERIES 250

SH PANEL INSTALLATION

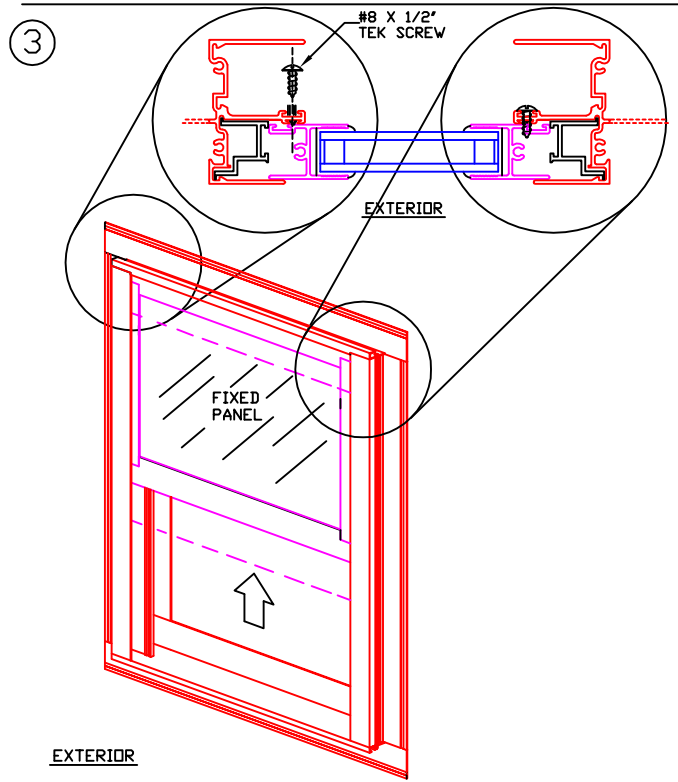
* FOLLOW STEPS IN REVERSE ORDER FOR PANEL REMOVAL



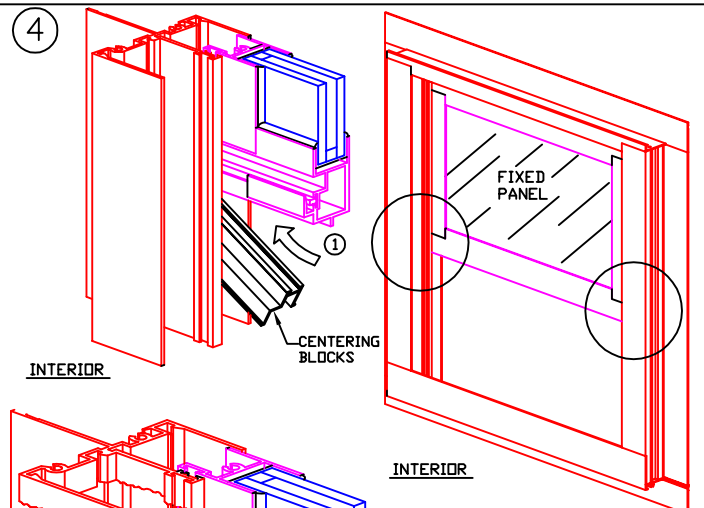
- INSERT THE CENTERING BLOCKS INTO THE EXTERIOR JAMB CHANNEL AND SLIDE THEM UP UNTIL THEY REST AGAINST THE HEAD.
- SECURE IN PLACE BY APPLYING SEALANT.



- INSERT THE FIXED PANEL INTO THE EXTERIOR CHANNEL OF THE LEFT JAMB. PUSH IN AND SWING THE RIGHT SIDE OF THE PANEL IN AND CENTER WITHIN BOTH JAMBS, AS SHOWN.



- SLIDE THE FIXED PANEL UP INTO THE HEAD AND CENTER WITHIN THE BLOCKS, AS SHOWN.
- SECURE THE FIXED PANEL IN PLACE BY INSERTING ONE #8 X 1/2" TEK SCREW IN EACH JAMB, AS SHOWN.



- ① INSERT ANOTHER SET OF CENTERING BLOCKS INTO THE OUTSIDE CHANNEL OF THE JAMB AND SLIDE THEM UP AND ABOVE THE INTERLOCKERS.
- ② FROM THE INSIDE, INSERT THE FIXED PANEL LOCK PIN INTO THE GROOVE IN THE INTERLOCKER AND SLIDE THEM INTO THE PREDRILLED HOLE IN THE JAMB, AS SHOWN.
- ③ SECURE IN PLACE BY INSERTING ONE #6 X 1/2" TEK SCREW, AS SHOWN.