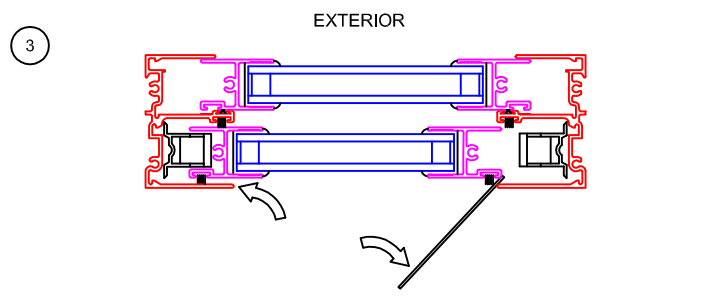
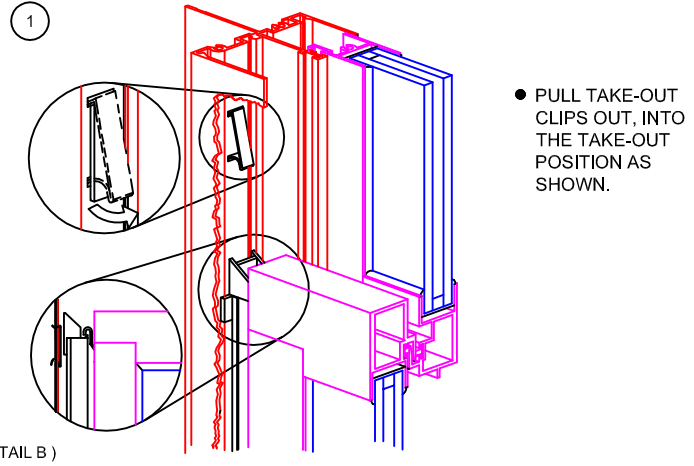


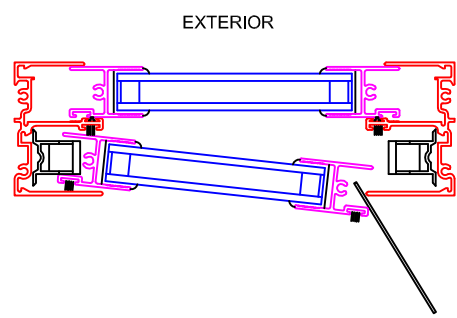
FLEETWOOD WINDOWS & DOORS

INSTALLATION/ASSEMBLY SERIES 250

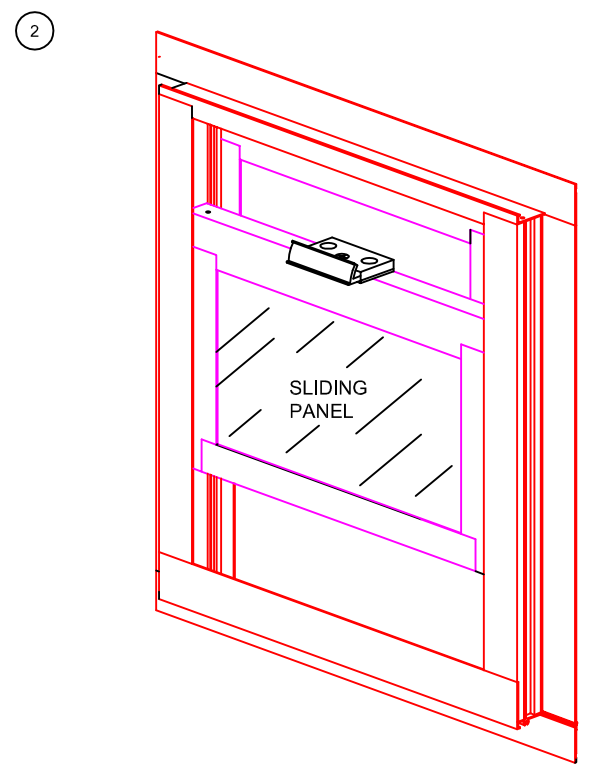
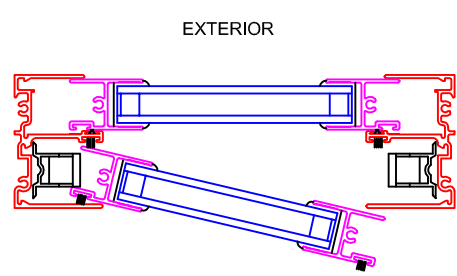
SH PANEL REMOVAL



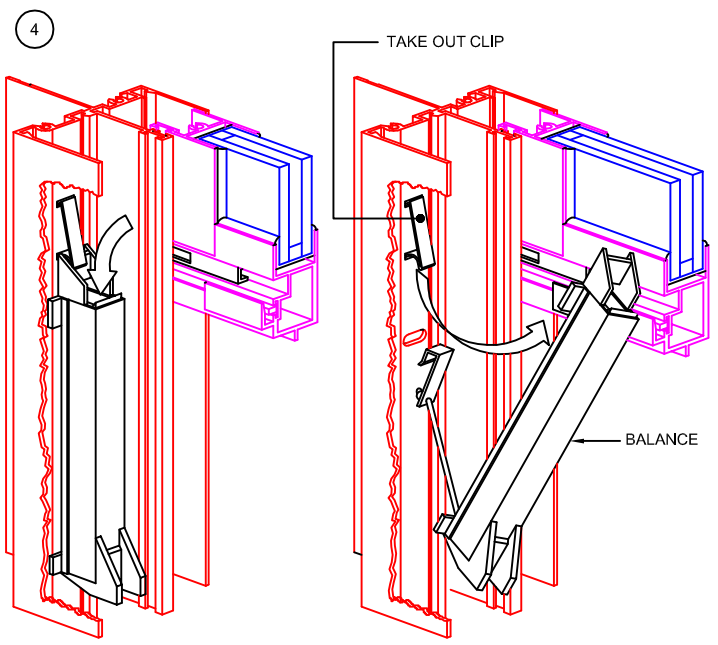
- SLIDE PANEL AS FAR AS POSSIBLE INTO ONE OF THE JAMBS AND SWING OPPOSITE SIDE OUT OF JAMB.
- IN REMOVING PANEL, IT MAY BE NECESSARY TO WEDGE A FLAT BLADE PUTTY KNIFE OR UTILITY TOOL BETWEEN PANEL AND JAMB AND APPLY PRESSURE IN ORDER TO "POP" PANEL OUT OF JAMB.



- THE PANEL MAY NOW BE REMOVED COMPLETELY.



- RAISE THE SLIDING PANEL ABOVE TAKE-OUT CLIPS TO DISENGAGE THE BALANCE. THE PANEL IS NOW FREE TO MOVE SIDE TO SIDE WITHIN THE JAMBS.



- ONCE SLIDING PANEL IS REMOVED, BALANCES MAY BE TAKEN OUT BY PUSHING THEM DOWN AND PULLING THEM OUT FROM UNDER TAKE-OUT CLIPS, AS SHOWN.