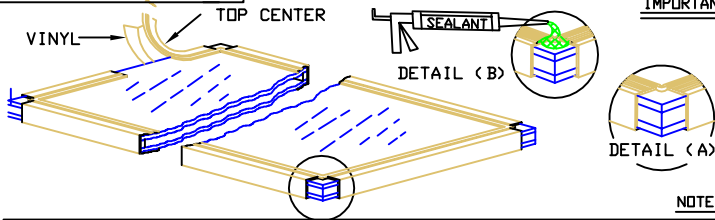


FLEETWOOD WINDOWS & DOORS

INSTALLATION/ASSEMBLY

SERIES 250 SINGLE HUNG

GLAZING INSTRUCTIONS

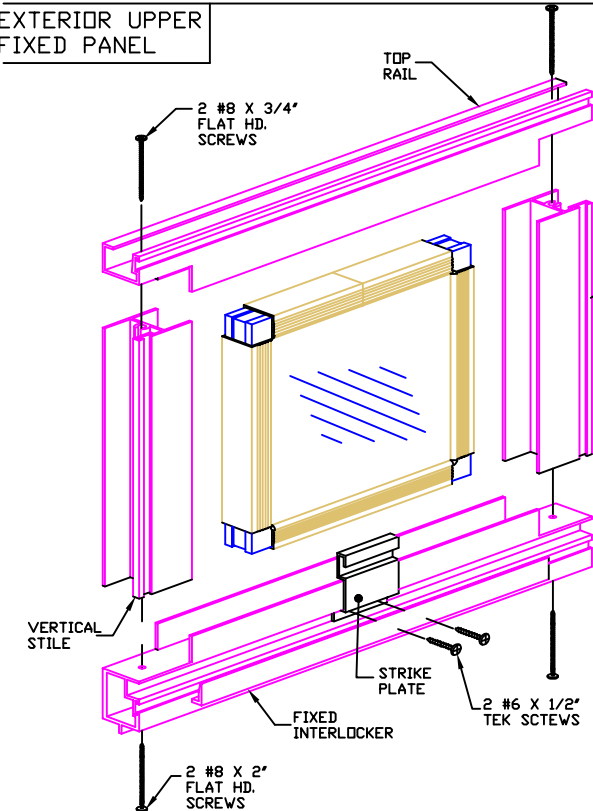


IMPORTANT NOTE: FAILURE TO ASSEMBLE ACCORDING TO THESE INSTRUCTIONS, NULLIFIES ALL WARRANTIES RELATED TO THIS PRODUCT.

- START APPLYING VINYL, NEAR THE TOP CENTER OF THE GLASS.
- CUT THE VINYL AT ALL FOUR CORNERS, AS SHOWN (DETAIL 'A').
- WHEN VINYL MEETS AT STARTING POINT, CUT 1/8" OVERSIZE TO COMPENSATE FOR STRETCHING.
- APPLY A BEAD OF SEALANT THAT IS COMPATIBLE WITH INSULATED GLASS SEAL, TO ALL FOUR CORNERS AS SHOWN (DETAIL 'B').

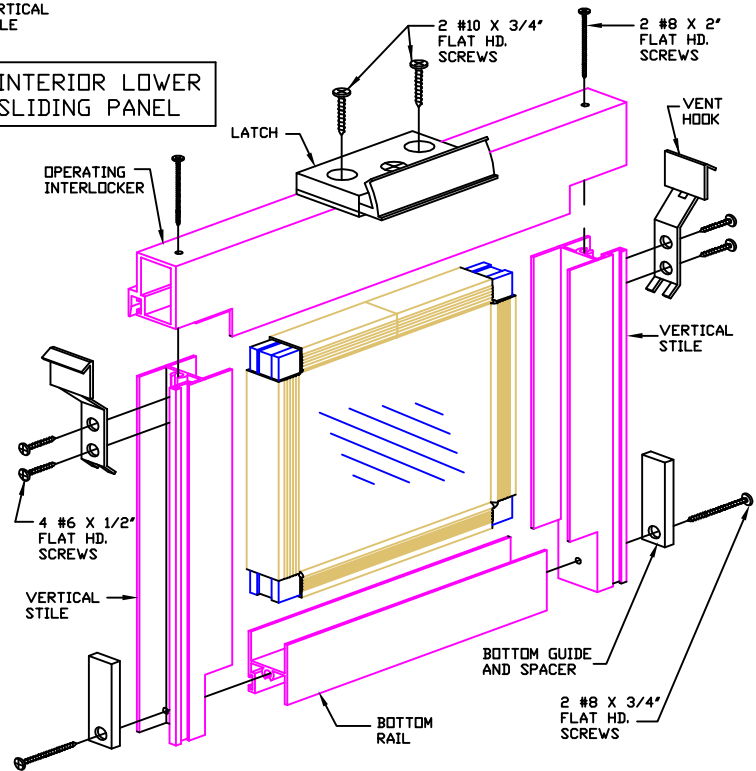
NOTE: THE GLASS THICKNESS, NET WIDTH AND HEIGHT MUST BE TO SIZE WITH-IN 1/32"

EXTERIOR UPPER FIXED PANEL



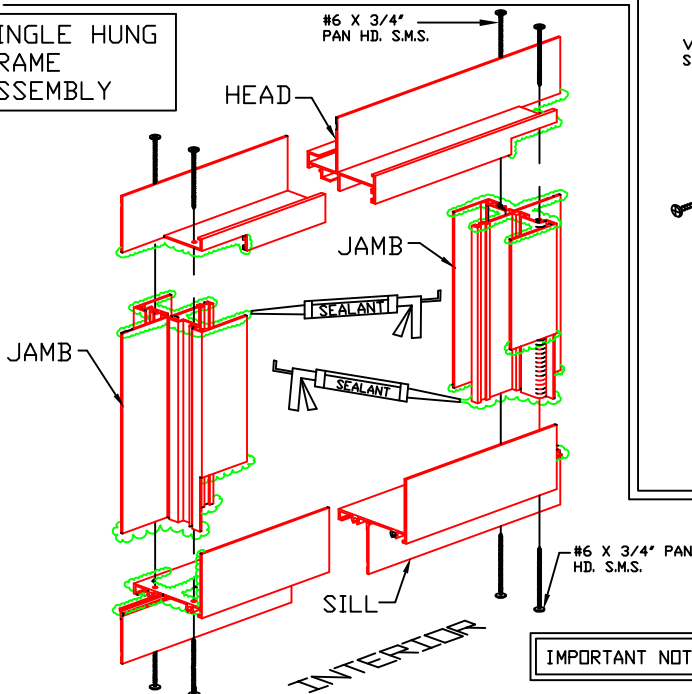
1. PLACE THE VERTICAL STILE INTO POSITION (WEATHER-STRIP POCKET FACING UP). USING A Mallet, DRIVE THE STILE ONTO THE GLASS UNTIL THE STILE SEATS AGAINST THE INNER LIP OF THE GLAZING VINYL. REPEAT THIS PROCEDURE WITH THE OPPOSITE VERTICAL STILE.
2. PLACE THE TOP RAIL INTO POSITION (WEATHER-STRIP FACING UP). USING A Mallet, DRIVE THE RAIL ONTO THE GLASS UNTIL THE RAIL SEATS AGAINST THE INNER LIP OF THE GLAZING VINYL. REPEAT THIS PROCEDURE WITH THE OPPOSITE FIXED INTERLOCKING STILE.
3. SECURE THE TOP RAIL IN PLACE WITH 2 #8 X 3/4" FLAT HEAD SHEET METAL SCREWS THROUGH THE TOP RAIL AND INTO THE SCREW GROOVES IN THE VERTICAL STILES.
4. SECURE THE FIXED INTERLOCKER IN PLACE WITH 2 #8 X 2" FLAT HEAD SHEET METAL SCREWS THROUGH THE INTERLOCKER AND INTO THE SCREW GROOVES IN THE VERTICAL STILES.

INTERIOR LOWER SLIDING PANEL



1. PLACE THE VERTICAL STILE INTO POSITION (WEATHER-STRIP FACING UP). USING A Mallet, DRIVE THE STILE ONTO THE GLASS UNTIL THE STILE SEATS AGAINST THE INNER LIP OF THE GLAZING VINYL. REPEAT THIS PROCEDURE WITH THE OPPOSITE VERTICAL STILE.
2. PLACE THE INTERLOCKER INTO POSITION (WEATHER-STRIP FACING DOWN). USING A Mallet, DRIVE THE STILE ONTO THE GLASS UNTIL THE INTERLOCKER SEATS AGAINST THE INNER LIP OF THE GLAZING VINYL. REPEAT THIS PROCEDURE WITH THE OPPOSITE BOTTOM RAIL.
3. SECURE THE INTERLOCKER WITH 2 #8 X 2" FLAT HEAD SHEET METAL SCREWS THROUGH THE INTERLOCKER AND INTO THE SCREW GROOVES IN THE VERTICAL STILES.
4. SECURE THE BOTTOM RAIL WITH 2 #8 X 3/4" FLAT HEAD SHEET METAL SCREWS THROUGH THE BOTTOM GUIDE & VERTICAL STILE INTO THE SCREW GROOVES IN THE BOTTOM RAIL.

SINGLE HUNG FRAME ASSEMBLY



- SEAL ALL FOUR CORNERS, USING COMPATIBLE SEALANT FOR THE ENTIRE FRAME ASSEMBLY.
- ASSEMBLE THE FRAME WITH 8 #6 X 3/4" PAN HEAD SHEET METAL SCREWS.
- AFTER THE FRAME HAS BEEN ASSEMBLED, MAKE SURE AMPLE SEALANT IS FORCED IN AND AROUND EACH CONTOUR AT ALL FOUR JOINTS.

IMPORTANT NOTE:

BECAUSE OF THE POTENTIAL FOR SEALANT DISRUPTION DURING HANDLING AND INSTALLATION, THE INSTALLER IS RESPONSIBLE FOR ALL FRAME CORNER SEALS, WHETHER OR NOT THESE FRAMES WERE FACTORY ASSEMBLED.