

Installation Steps:

1. Apply a generous amount of compatible sealant into the head of the lower window unit as shown in figure 1.

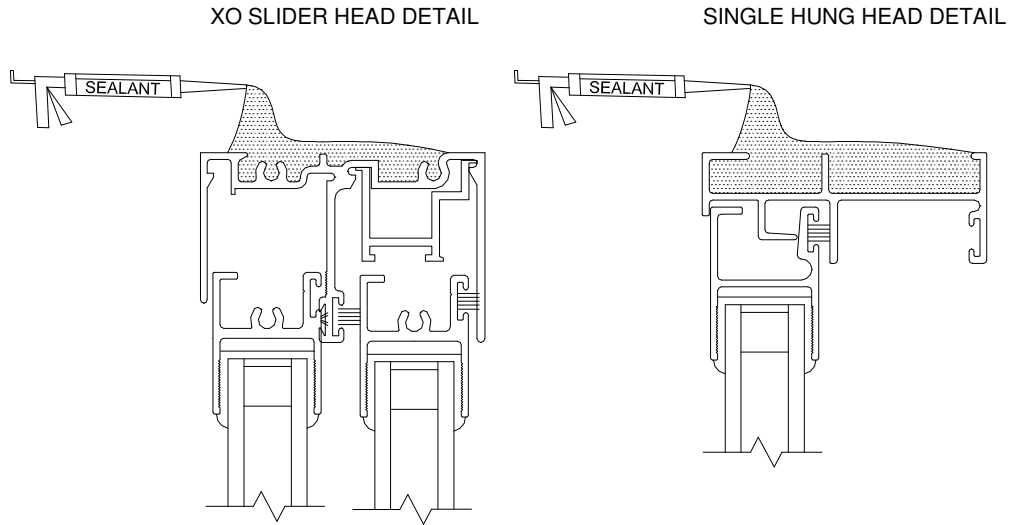


Figure 1

2. Install stack bar onto head of lower window unit as shown in figure 2. (Note: Make sure PVC guide is installed in stack bar.)

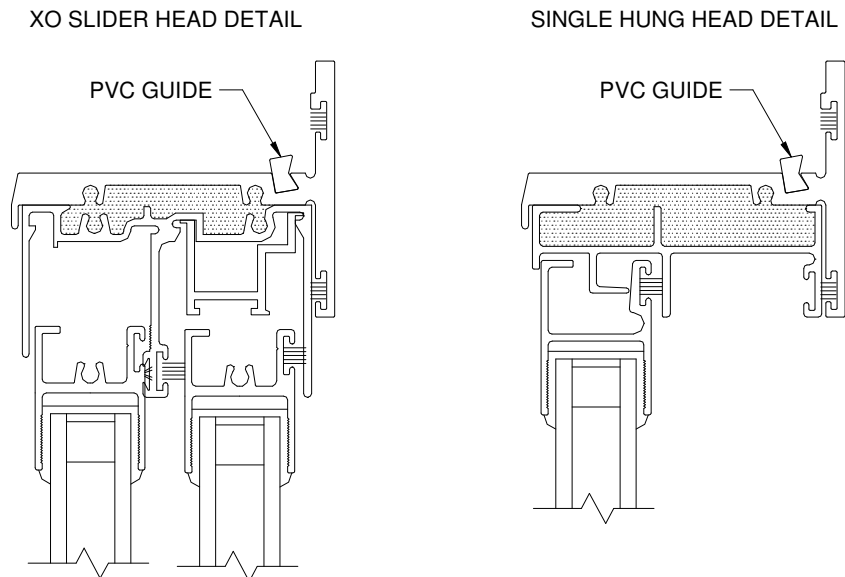
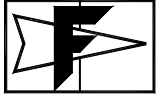


Figure 2



3. Fill bottom cavity of sill in upper window unit, with a generous amount of compatible sealant, then place on stack bar as shown in figures 3 and 4.
4. Attach upper window unit with fasteners as noted in figures 3 and 4. Removal of snap-in glass stop or cover for screw-on glass stops is necessary to attach upper window unit to stack bar. Apply compatible sealant to the heads of fasteners and install glass stops or covers to complete installation.

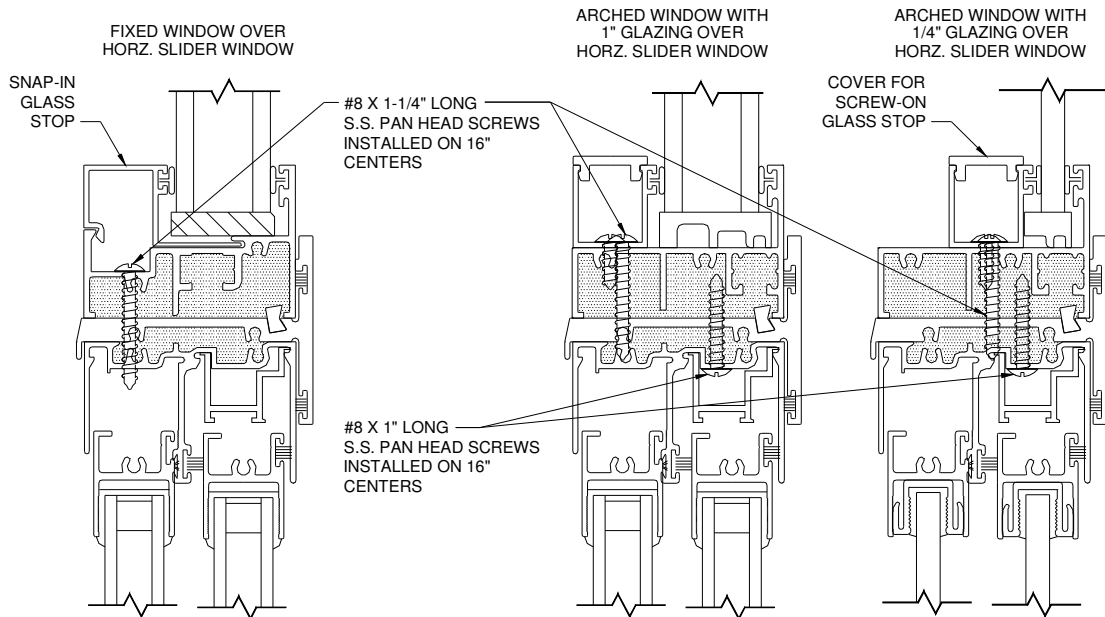


Figure 3 – Stack Bar Attachment to Horizontal Sliding Window

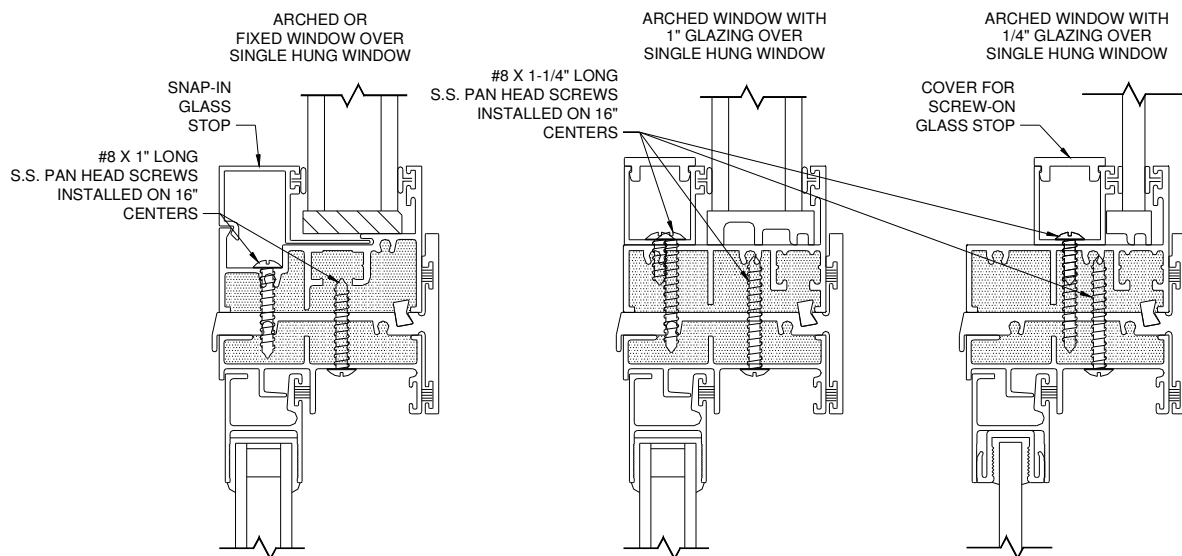


Figure 4 – Stack Bar Attachment to Single Hung Window