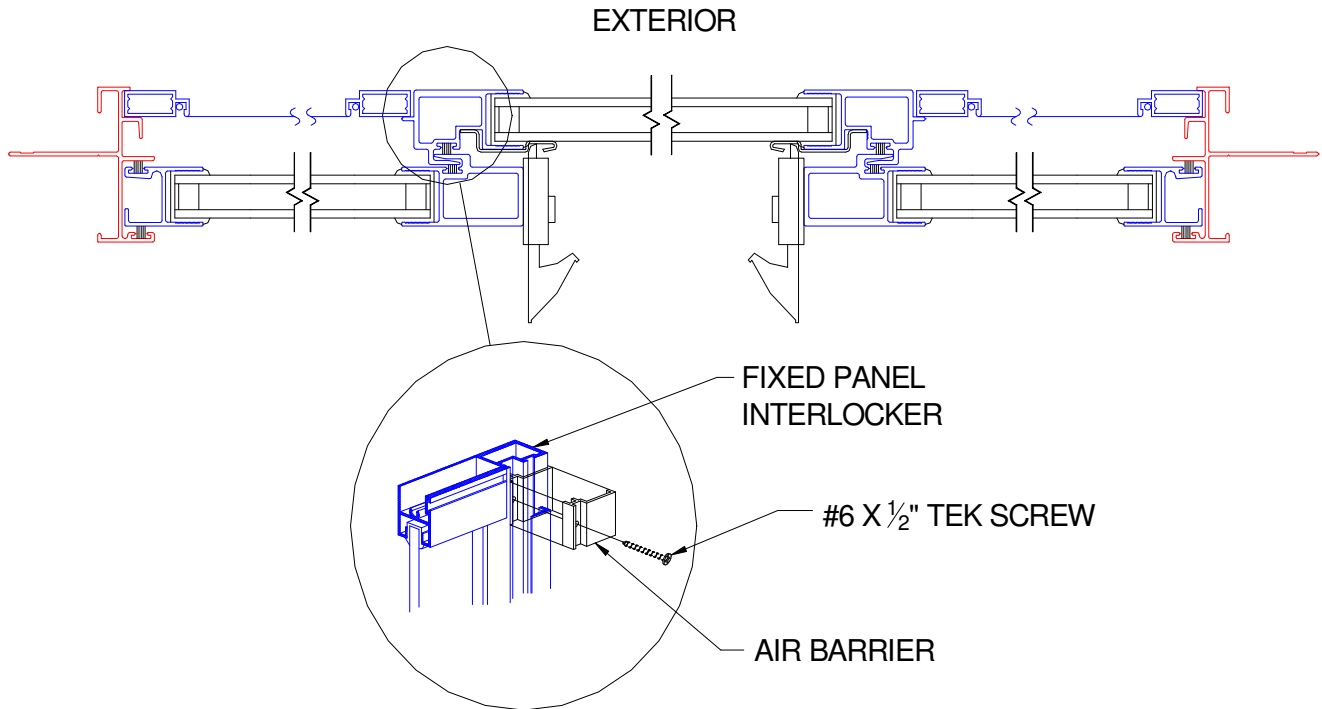


Securing Fixed Panel

1. Attached air barriers to top interior corners of fixed panel with #6 x 1/2" Tek screws as shown below.



2. Install a #6 x 1/2" Tek screw thru sill and bottom fixed panel rail. Locate screw at the center of panel width. Repeat this process in the head and fixed panel top rail.

