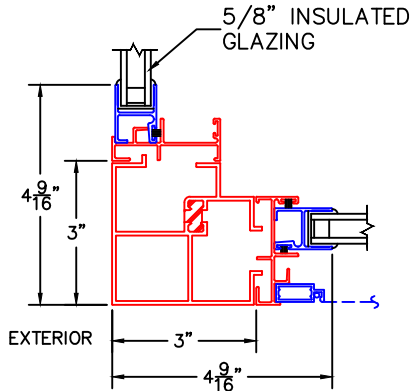


(USE RULER TO SCALE DIMENSIONS IN INCHES)  
SCALE: 1/4"

45° AND 90° CORNER UNITS  
(NOT DESIGNED FOR SINGLE HUNG WINDOWS)  
SLIDING WINDOWS WITH 5/8" INSULATED GLAZING AND  
GTF WINDOWS WITH 1/4" SINGLE, 1" & 1-1/4"  
INSULATED GLAZING SHOWN

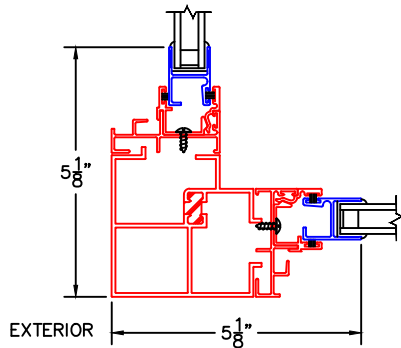
1

90° JAMB MULLION  
XO-XO



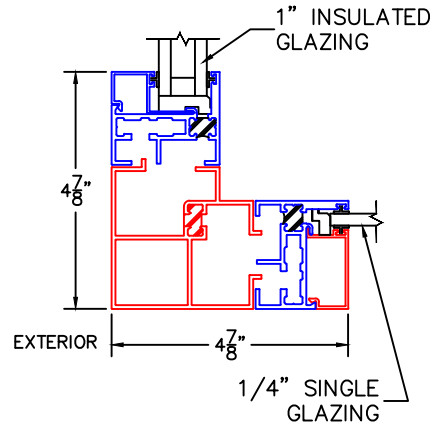
2

90° JAMB MULLION  
O-O PANELIZED  
(INTEGRAL STACK  
SYSTEM ONLY)



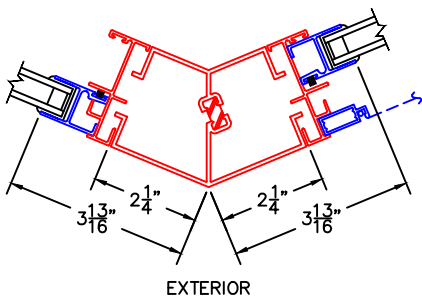
3

90° JAMB MULLION  
O-O GLAZED TO FRAME



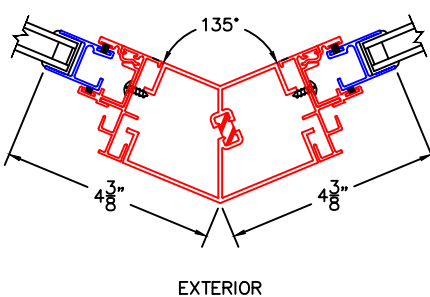
1A

45° JAMB MULLION  
XO-XO



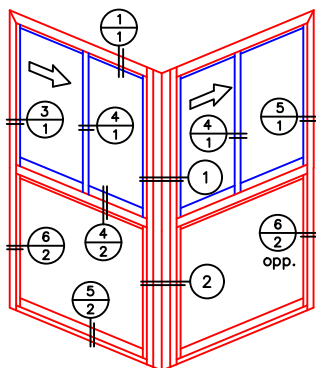
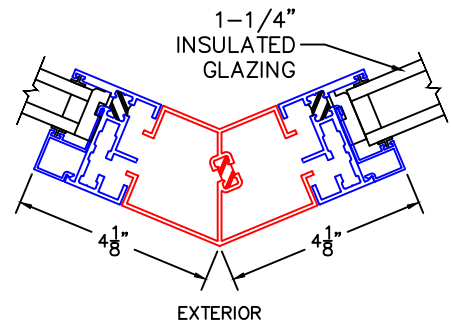
2A

45° JAMB MULLION  
O-O PANELIZED

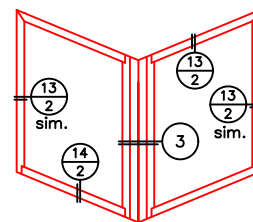


3A

45° JAMB MULLION  
O-O GLAZED TO FRAME



XO/O-XO/O WINDOW

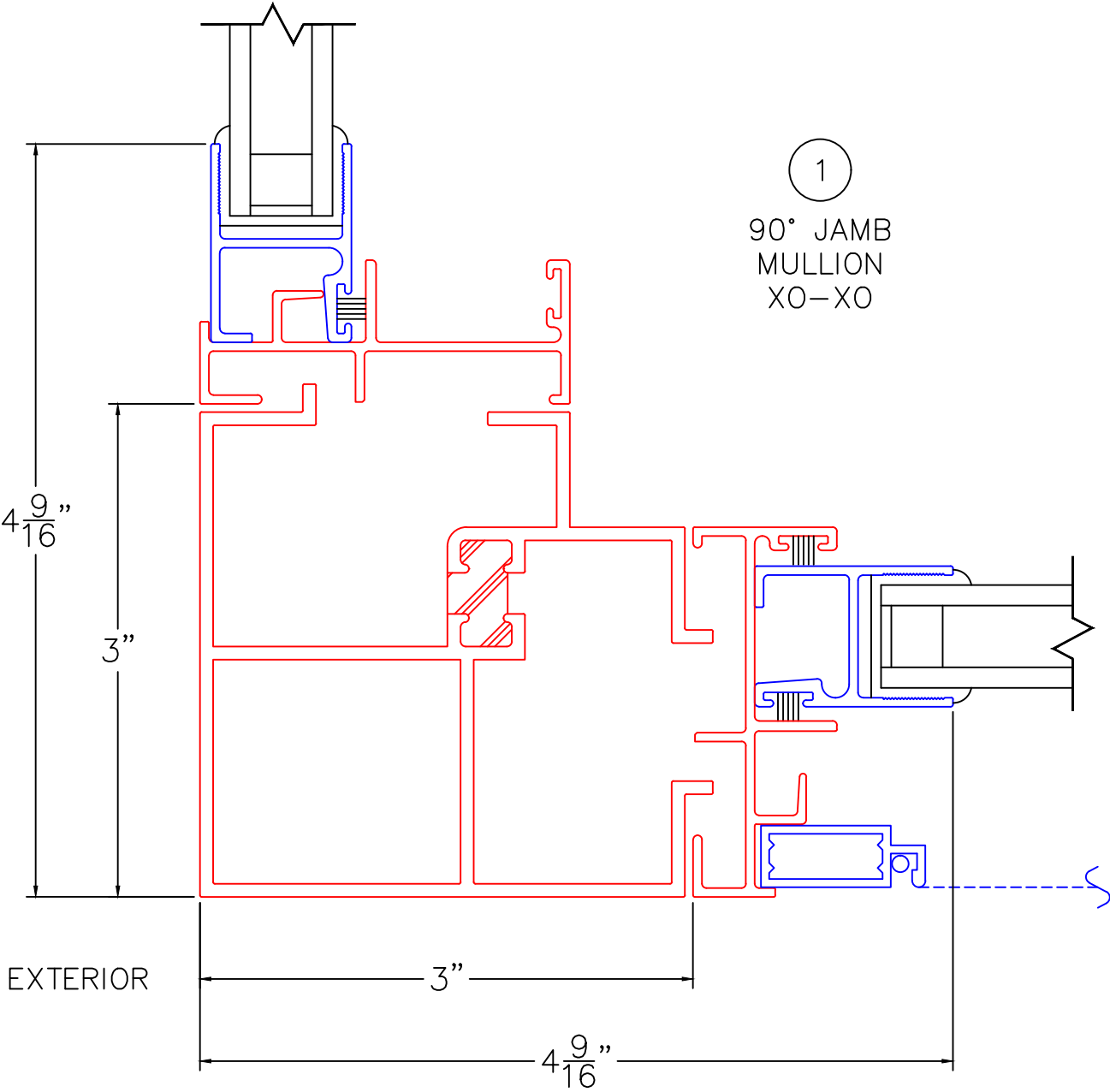


O-O WINDOW

- GLASS PENETRATION (SLIDING WINDOWS): 7/16"
- GLASS PENETRATION (GTF WINDOWS): 1/2"
- EXTERIOR RATED PRODUCTS HAVE WEEP SLOTS ON HORIZONTAL SILLS.

0 0.5 1  
(USE RULER TO SCALE DIMENSIONS IN INCHES)  
**SCALE: FULL**

45° AND 90° CORNER UNITS  
HORIZONTAL SLIDING WINDOW  
WITH 5/8" INSULATED GLAZING

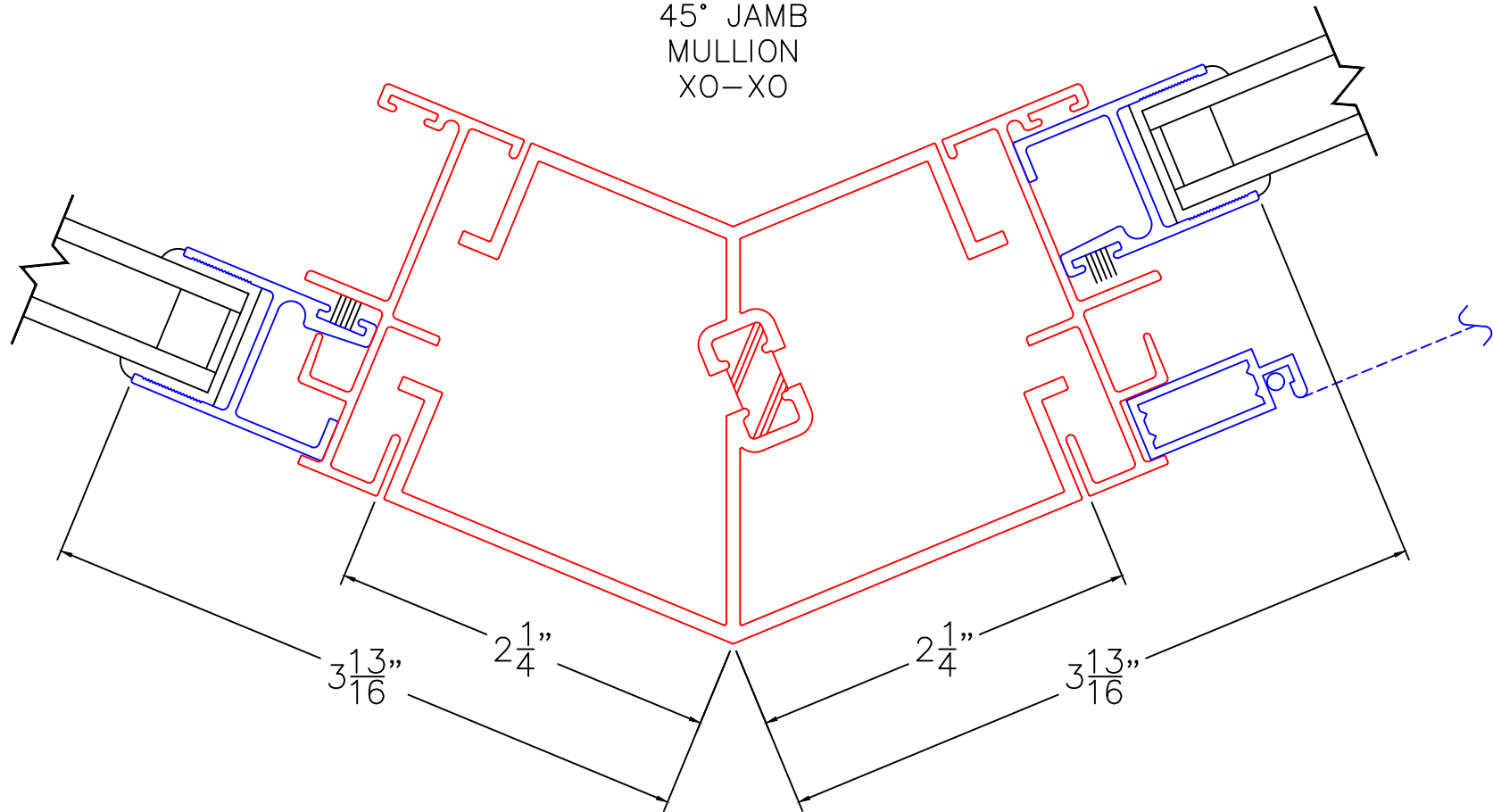


45° AND 90° CORNER UNITS  
HORIZONTAL SLIDING WINDOW  
WITH 5/8" INSULATED GLAZING

0 0.5 1  
(USE RULER TO SCALE DIMENSIONS IN INCHES)  
**SCALE: FULL**

1A

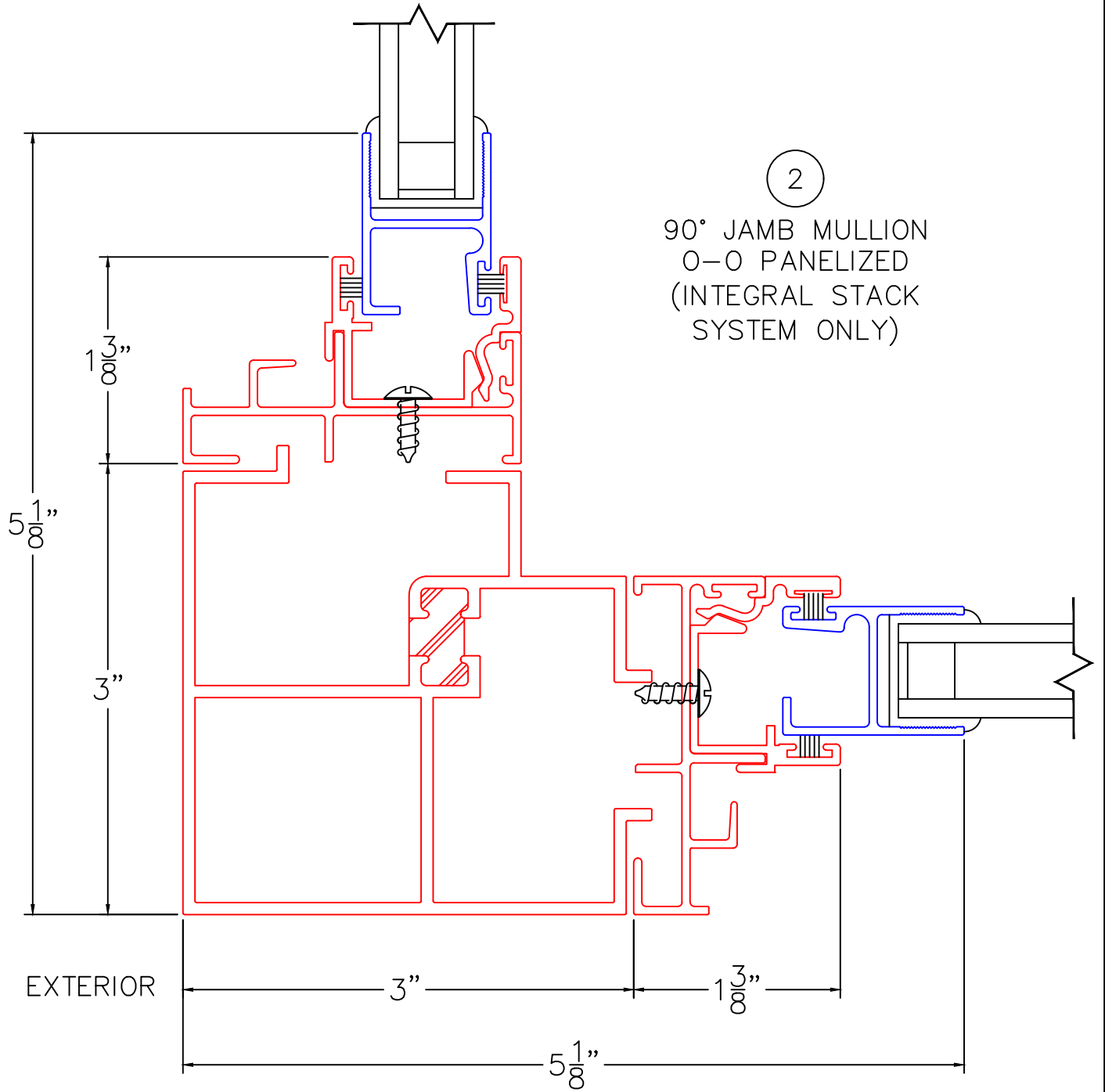
45° JAMB  
MULLION  
XO-XO



EXTERIOR

0 0.5 1  
(USE RULER TO SCALE DIMENSIONS IN INCHES)  
**SCALE: FULL**

45° AND 90° CORNER UNITS  
HORIZONTAL SLIDING WINDOW  
WITH 5/8" INSULATED GLAZING

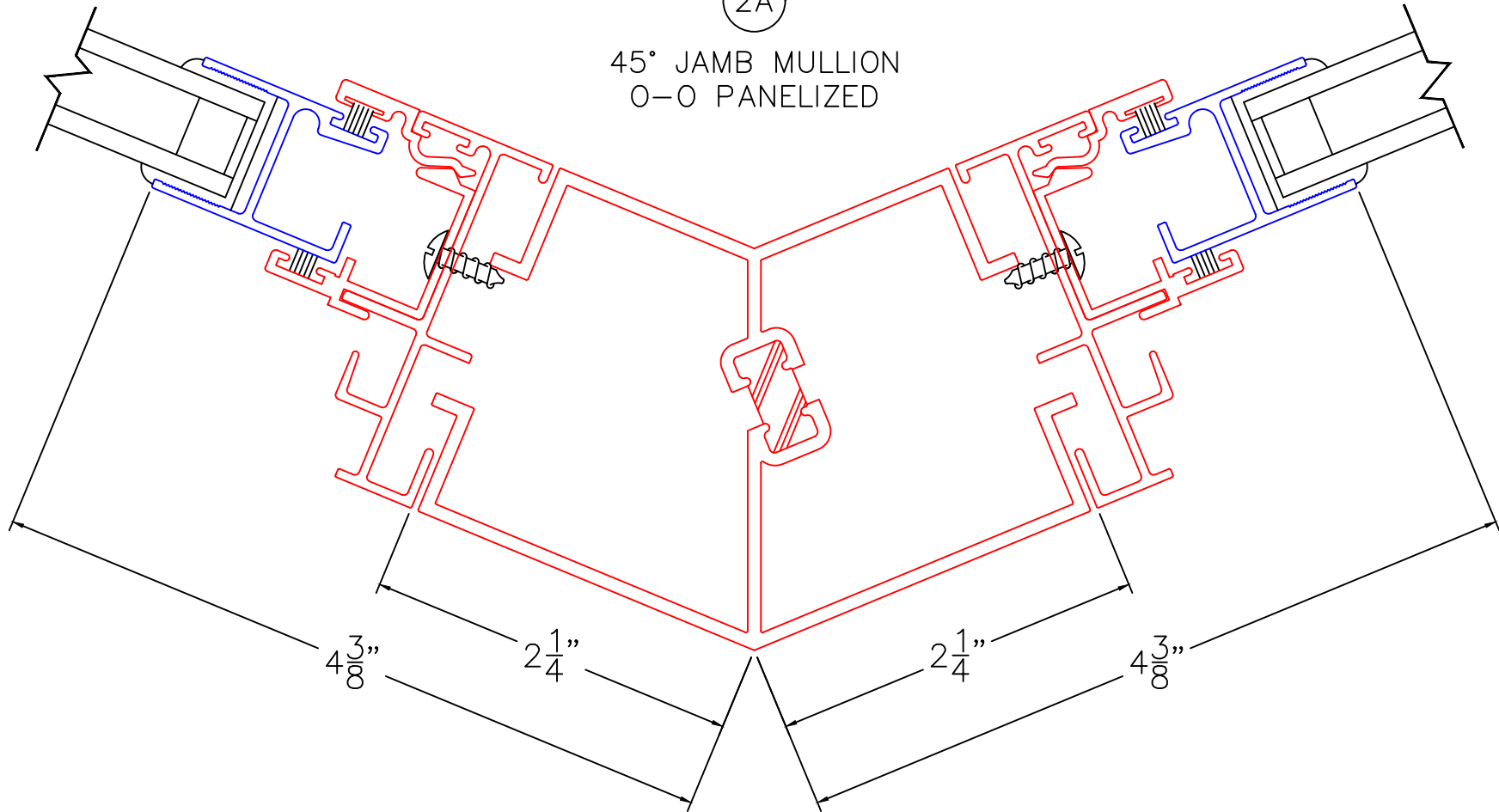


0 0.5 1  
(USE RULER TO SCALE DIMENSIONS IN INCHES)  
SCALE: FULL

45° AND 90° CORNER UNITS  
HORIZONTAL SLIDING WINDOW  
WITH 5/8" INSULATED GLAZING

2A

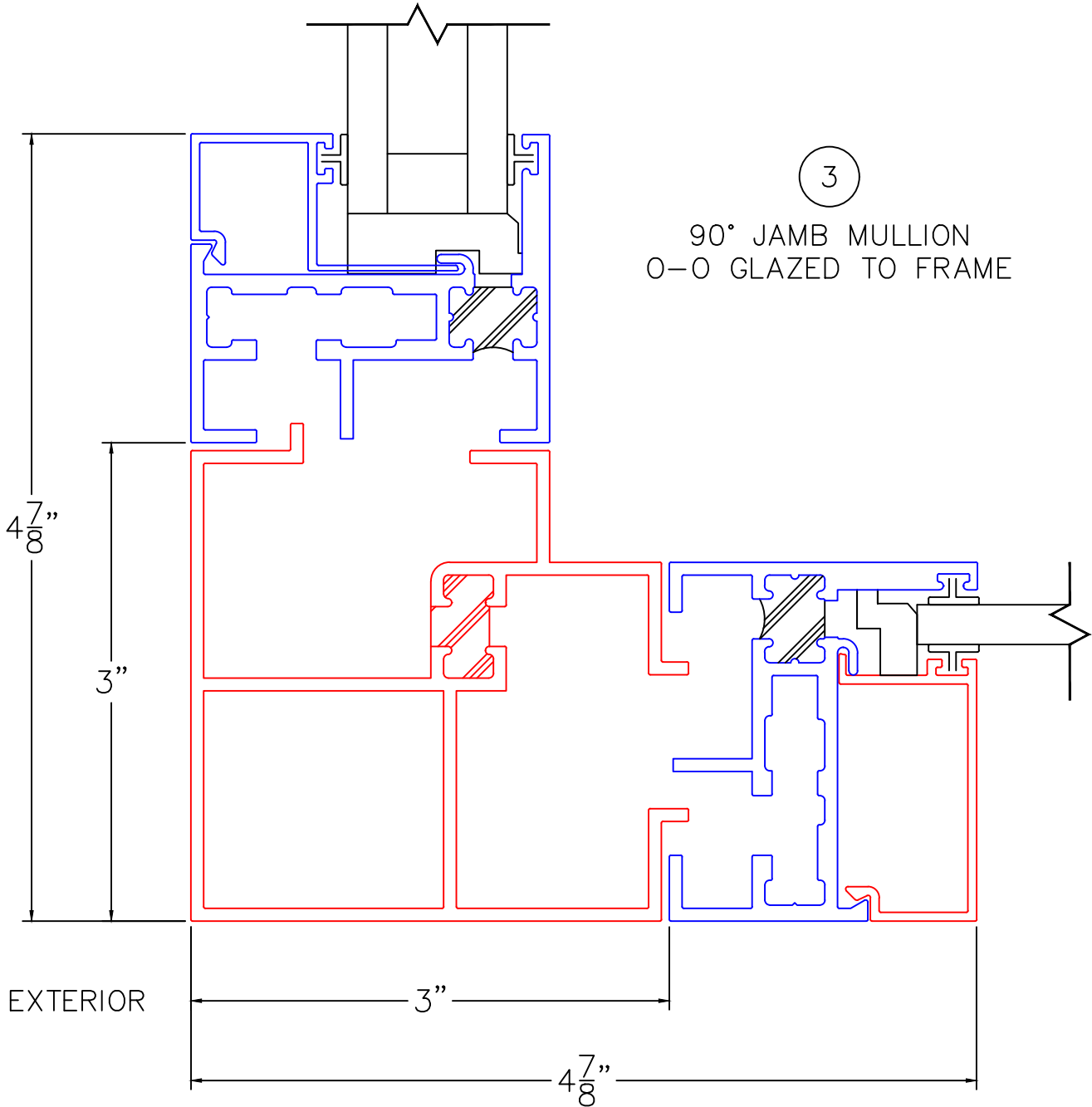
45° JAMB MULLION  
O-O PANELIZED



EXTERIOR

0 0.5 1  
(USE RULER TO SCALE DIMENSIONS IN INCHES)  
**SCALE: FULL**

45° AND 90° CORNER UNITS  
GLAZED TO FRAME  
1/4" SINGLE AND 1"  
INSULATED GLAZING SHOWN



3

90° JAMB MULLION  
0-0 GLAZED TO FRAME

0 0.5 1  
(USE RULER TO SCALE DIMENSIONS IN INCHES)  
**SCALE: FULL**

45° AND 90° CORNER UNITS  
GLAZED TO FRAME  
1" AND 1-1/4" INSULATED  
GLAZING SHOWN

3A

45° JAMB MULLION  
O-O GLAZED TO FRAME

