




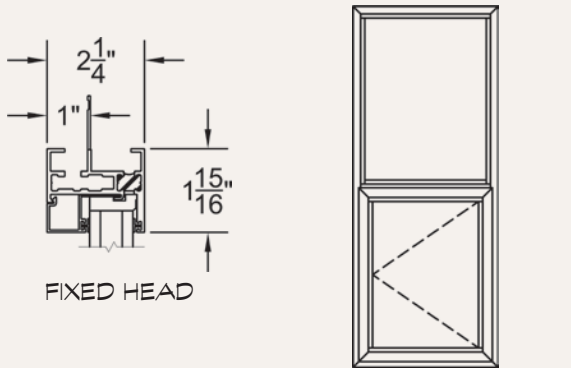
“THERMAL FRAME” CASEMENT, AWNING & HOPPER



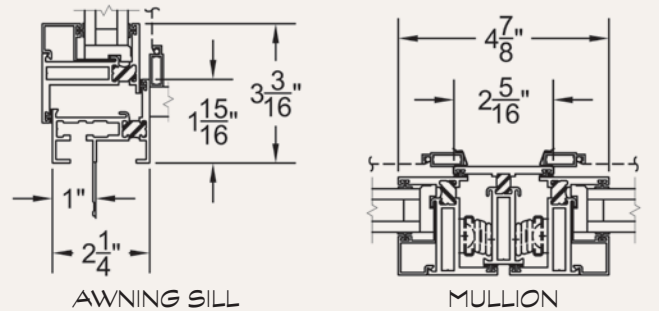
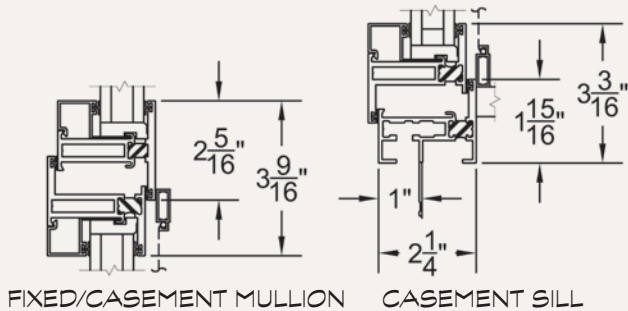
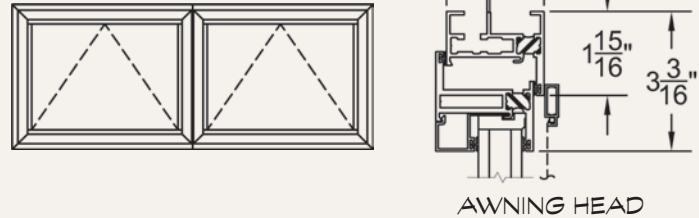
Photo by ©Ciro Coelho/CircCoelho.com | Shot at MariSolMalibu.com

 TYPICAL CONFIGURATIONS	 EXAMPLE SHGC	 EXAMPLE U-FACTOR
<ul style="list-style-type: none"> • C, CC, COC, A, AA, AOA, H, HH. • Maximum Panel Square Footage: Casement, Awning & Hopper: 24 ft² • Partner Products: Series 3800-T Fixed System (for inserts; pages 25–26). Series 250 Slider, Single Hung and Fixed Windows (page 33–34). 	² NFRC: 0.14 ³ S.P.A.: 0.15	² NFRC: 0.39 ³ S.P.A.: 0.34

ELEVATION VIEW: O/C



ELEVATION VIEW: AA



²Specimen size: Nom. 59" x 24".
³Simulated Performance Alternative size: 72" x 36" awning using Cardinal 366/Argon/Cardinal 366 triple glazing.





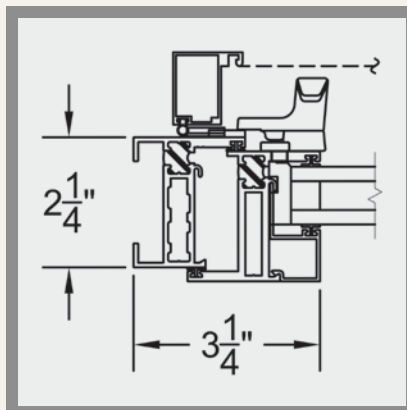
DESIGN NOTES

- Clean, linear sightlines.
- Insulated extrusions.
- Great sound, energy and weather performance.



Welded Corners:

The time proven method for building hinged windows comes standard on the Series 250-T. It includes an exceptionally strong corner, where an aluminum extruded corner key is first fitted into each frame and vent extrusion, then crimped using a hydraulic press and is then finally welded in place. This is the same process used in creating the Series 2000 window.



Hinged Screen:

This austere new option features a magnetic keeper & latch, and neoprene bulb as the bug guard. Hinges are mounted top and bottom for casements and left-top and right-top for awnings. This feature is only offered with the 4-bar hinge option, which is what the factory recommends for coastal and high wind projects.



Narrow Butt Hinges:

The standard casement hinge measures a sleek 3" long, 7/16" in diameter, and is constructed of #316 stainless steel. For maximum coastal protection each hinge is electro-polished and then brush finished. For an even smaller profile hinge we offer the hidden 4-bar hinge and customers may also choose the optional 4" aluminum hinge that is finished to match the frame color. Refer to page 42 of this brochure as well as the online product page for more information.



Steel Look Applied Grid:

The Series 250-T, as well as several other products (see page 37), offer this feature, which resembles a steel window yet retains all the advantages of aluminum.