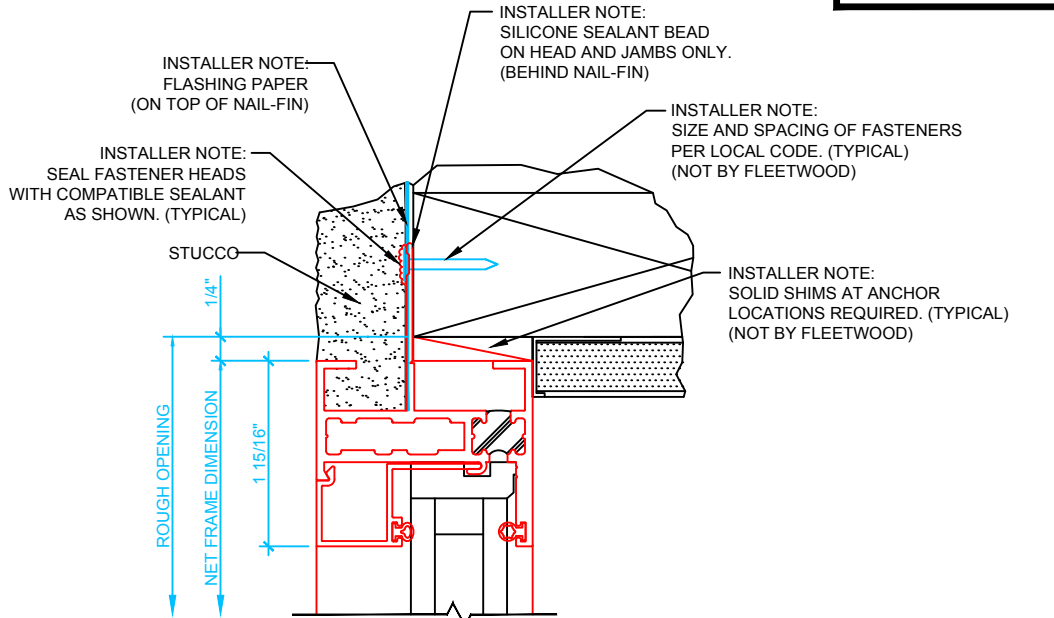


SERIES 250-T

ANCHOR LOCATION WORKSHEET

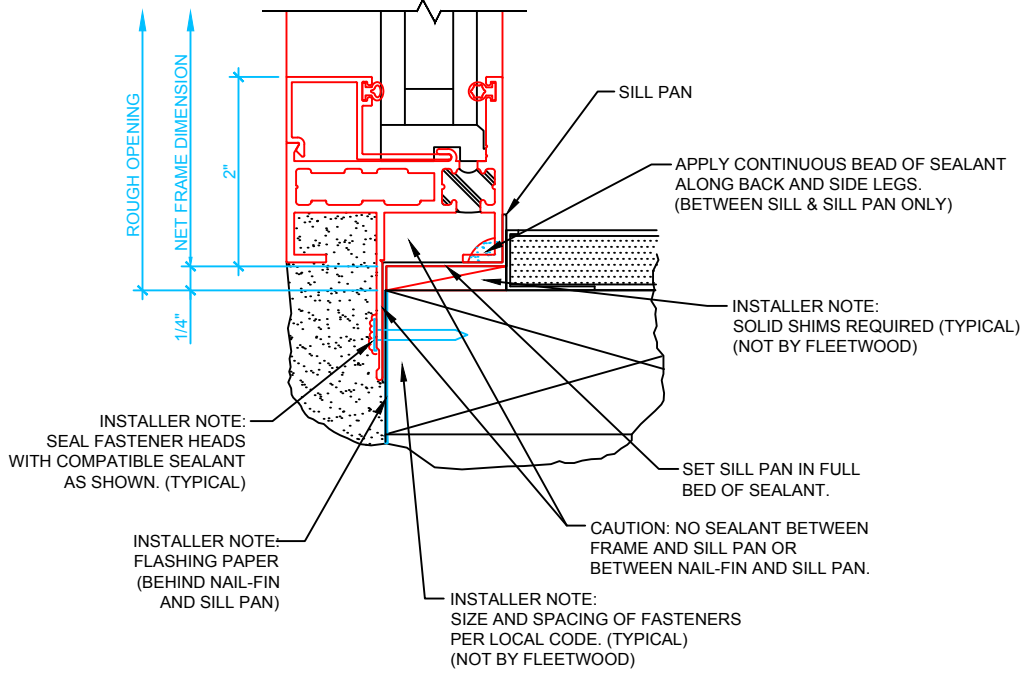
NAIL-ON FRAME

FRAME ANCHOR CHECKLIST	
FASTENER TYPE	
MINIMUM EMBEDMENT	
MINIMUM EDGE DISTANCE	
ANCHOR LOCATIONS	
FROM ENDS	
ON CENTER	



EXTERIOR

1 FIXED WINDOW HEAD
JAMBS SIMILAR
SCALE: 6" = 1'



2 FIXED WINDOW SILL
SCALE: 6" = 1'

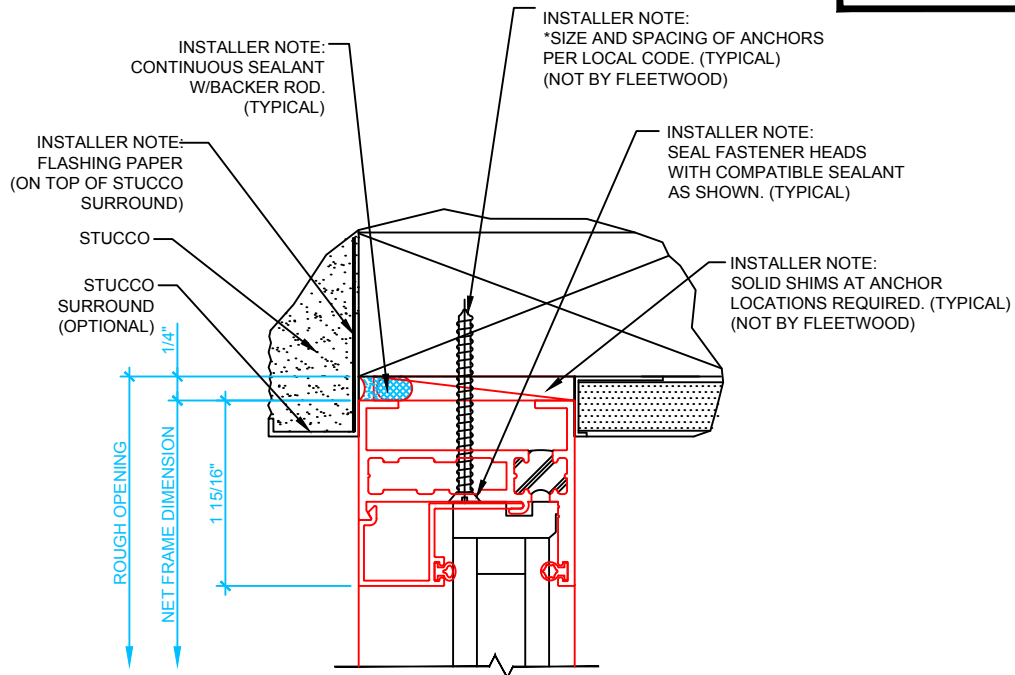
SILL DISCLAIMER: IT IS THE MANUFACTURERS DESIRE FOR THE INSTALLER TO **NOT** PIERCE THE SILL. IN SOME CASES THE CODE OR SPECIFICATIONS REQUIRE SUCH. IN THESE CASES THE INSTALLER IS RESPONSIBLE TO SEAL THESE BREACHES.

SERIES 250-T

ANCHOR LOCATION WORKSHEET

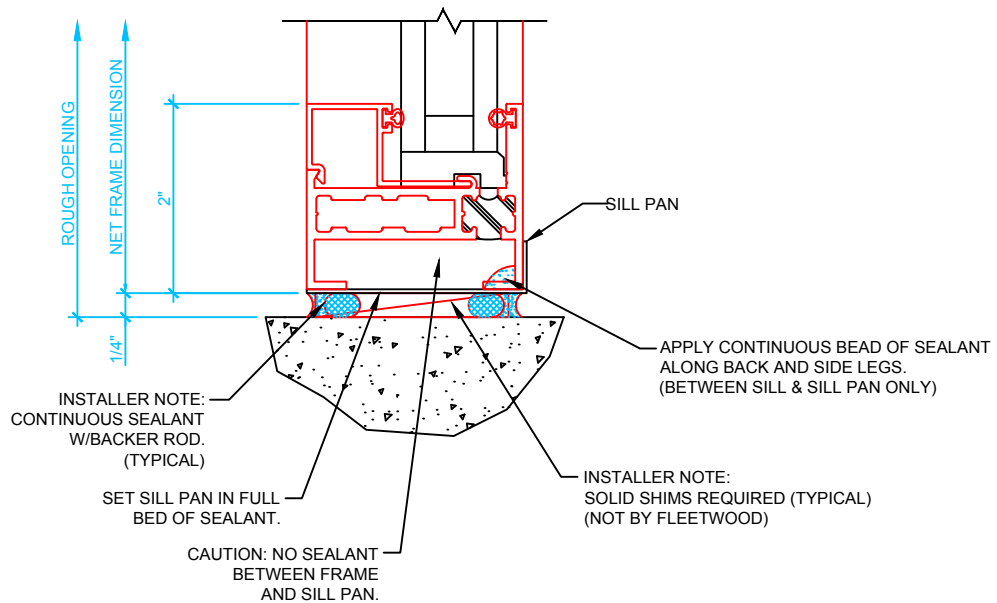
BLOCK FRAME

FRAME ANCHOR CHECKLIST	
FASTENER TYPE	
MINIMUM EMBEDMENT	
MINIMUM EDGE DISTANCE	
ANCHOR LOCATIONS	
FROM ENDS	
ON CENTER	



EXTERIOR

1 FIXED WINDOW HEAD JAMBS SIMILAR
SCALE: 6" = 1'



2 FIXED WINDOW SILL
SCALE: 6" = 1'

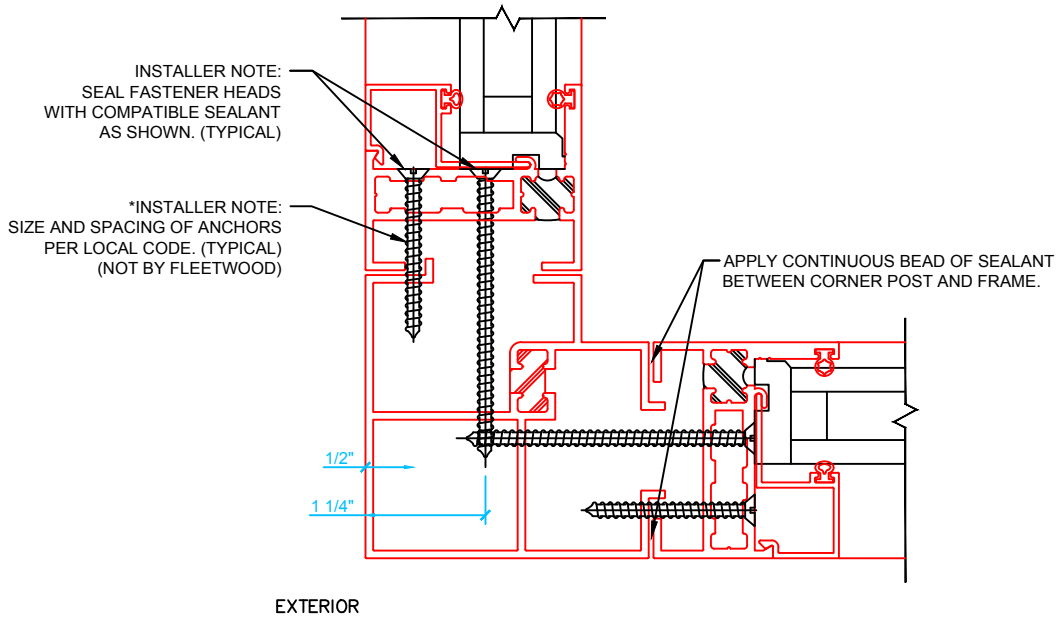
NOTES: 1. ***ANCHOR LOCATION:** INSTALLER RESPONSIBLE TO ENSURE ANCHORS MAINTAIN EDGE DISTANCE ON STRUCTURE.
 2. **SILL DISCLAIMER:** IT IS THE MANUFACTURERS DESIRE FOR THE INSTALLER TO **NOT** PIERCE THE SILL. IN SOME CASES THE CODE OR SPECIFICATIONS REQUIRE SUCH. IN THESE CASES THE INSTALLER IS RESPONSIBLE TO SEAL THESE BREACHES.

SERIES 250-T

ANCHOR LOCATION WORKSHEET

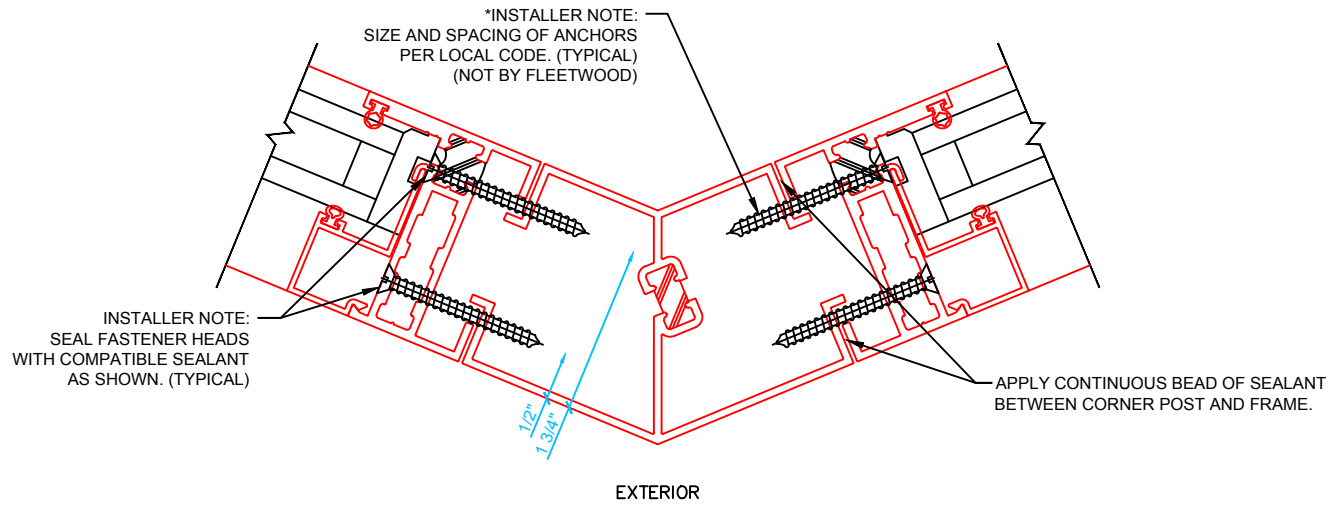
CORNER POST

FRAME ANCHOR CHECKLIST	
FASTENER TYPE	
MINIMUM EMBEDMENT	
MINIMUM EDGE DISTANCE	
ANCHOR LOCATIONS	
FROM ENDS	
ON CENTER	



EXTERIOR

1 90° CORNER POST
SCALE: 6" = 1'



EXTERIOR

2 45° CORNER POST
SCALE: 6" = 1'

*NOTES:
1. 90° CORNER POST FASTENER LENGTHS: APPROX. 1.75" AND 3".
2. 45° CORNER POST FASTENER LENGTHS: APPROX. 1.75".

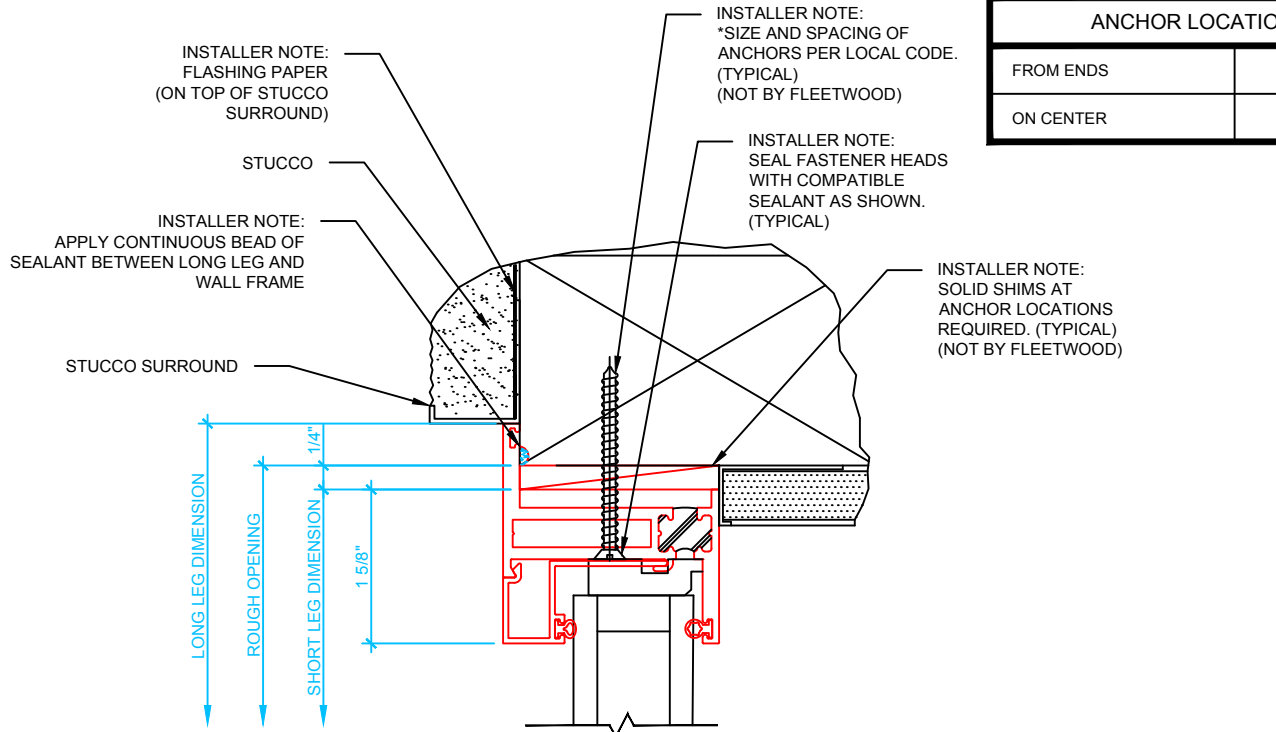
SERIES 250-T

ANCHOR LOCATION WORKSHEET

UNEQUAL FRAME

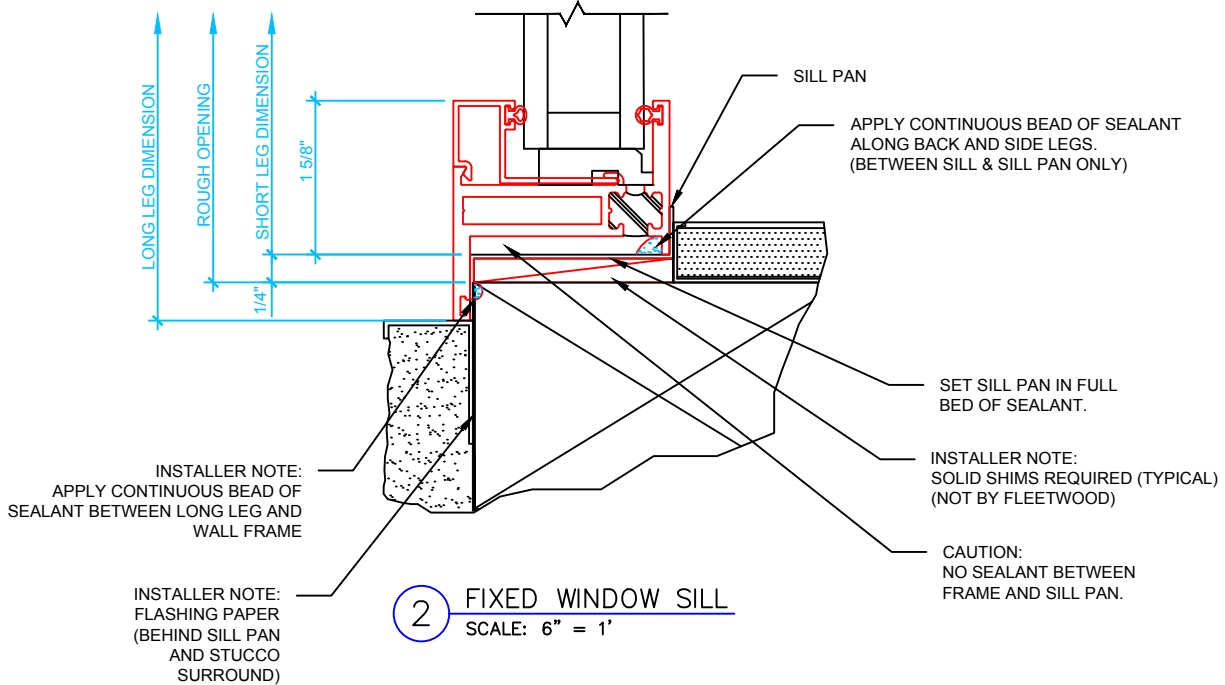
FRAME ANCHOR CHECKLIST

FASTENER TYPE	
MINIMUM EMBEDMENT	
MINIMUM EDGE DISTANCE	
ANCHOR LOCATIONS	
FROM ENDS	
ON CENTER	



EXTERIOR

1 FIXED WINDOW HEAD JAMBS SIMILAR
SCALE: 6" = 1'



2 FIXED WINDOW SILL
SCALE: 6" = 1'

NOTES: 1. ***ANCHOR LOCATION:** INSTALLER RESPONSIBLE TO ENSURE ANCHORS MAINTAIN EDGE DISTANCE ON STRUCTURE.
2. **SILL DISCLAIMER:** IT IS THE MANUFACTURERS DESIRE FOR THE INSTALLER TO **NOT** PIERCE THE SILL. IN SOME CASES THE CODE OR SPECIFICATIONS REQUIRE SUCH. IN THESE CASES THE INSTALLER IS RESPONSIBLE TO SEAL THESE BREACHES.