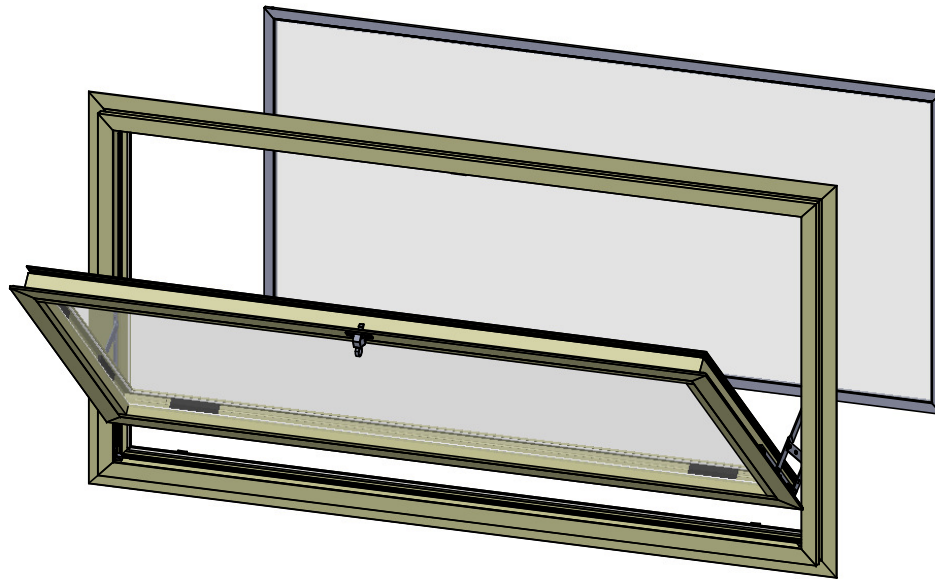


# ASSEMBLY / PARTS LIST (B.O.M.)

**Series: 250-T**

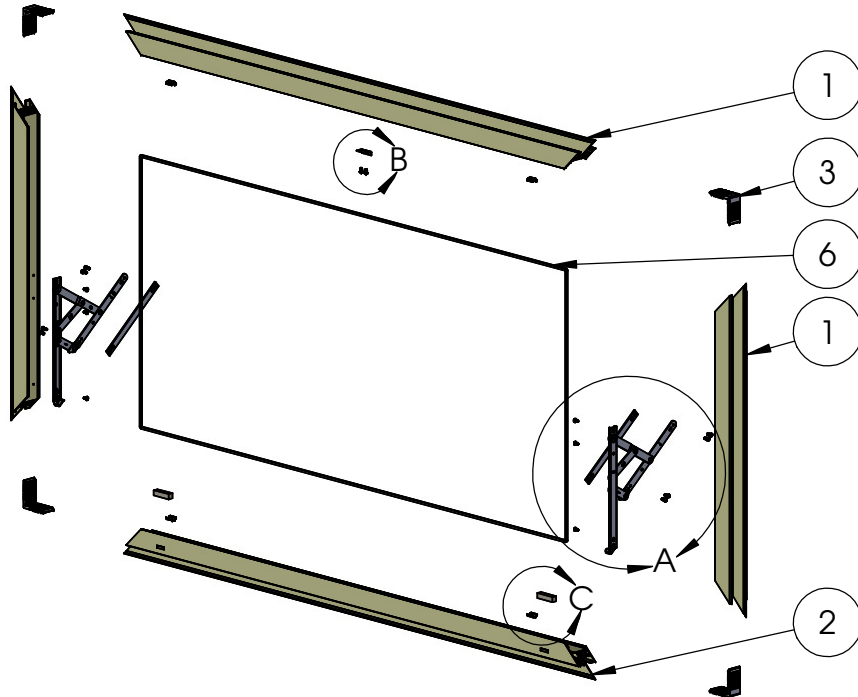
**Type: Hopper (H) with 4 Bar Hinges & Spring Latch**

ITEM NO.	DESCRIPTION	QTY.	Page #
1	FRAME ASSEMBLY	1	2
2	PANEL ASSEMBLY	1	3
3	FLAT SCREEN ASSEMBLY	1	4

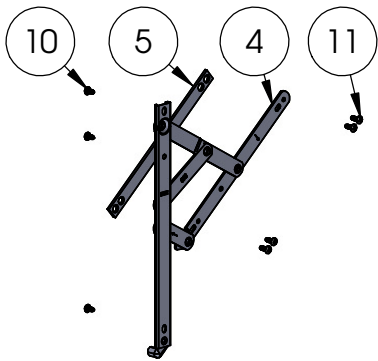


Description Table of Content	
File Name Series 250-T H Hopper Assembly with 4 Bar Hinges and Spring Latch	REV
Released 5/24/2017	SHEET 1 OF 4

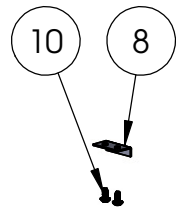
# ASSEMBLY / PARTS LIST (B.O.M.)



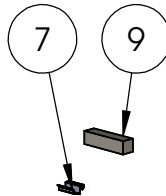
EXTRUSIONS			
ITEM NO.	PART NUMBER	DESCRIPTION	QTY.
1	05P86	Perimeter (head/jamb) - IG	3
2	05P72	Sill (PI)	1
HARDWARE			
3	20596	Corner Key, Vent	4
4	24932, 22865, 24654, 24655, 18811, 22868	4 Bar Hinge (8", 10", 12", 16", 22")	2
5	23368, 23369, 23370, 23371	4 Bar Shim (7 3/4", 8 3/4", 10 3/4", 13 1/2" length)	2
6	25199	Mini Bulb Vinyl	1
7	25173, 25753	Screen Clip, SS, Clear, Black	4
8	25482	Strike for Spring Ring Latch	1
9	23022	1/2 X 1/2 X 2 Weep Baffle	2
10	20337	# 10 PHP - B, 3/8", SS, Clear	8
11	20338	# 10 PHP - B, 1/2", SS, Clear	8



DETAIL A  
SCALE 1 : 9



DETAIL B  
SCALE 1 : 7

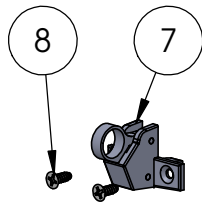
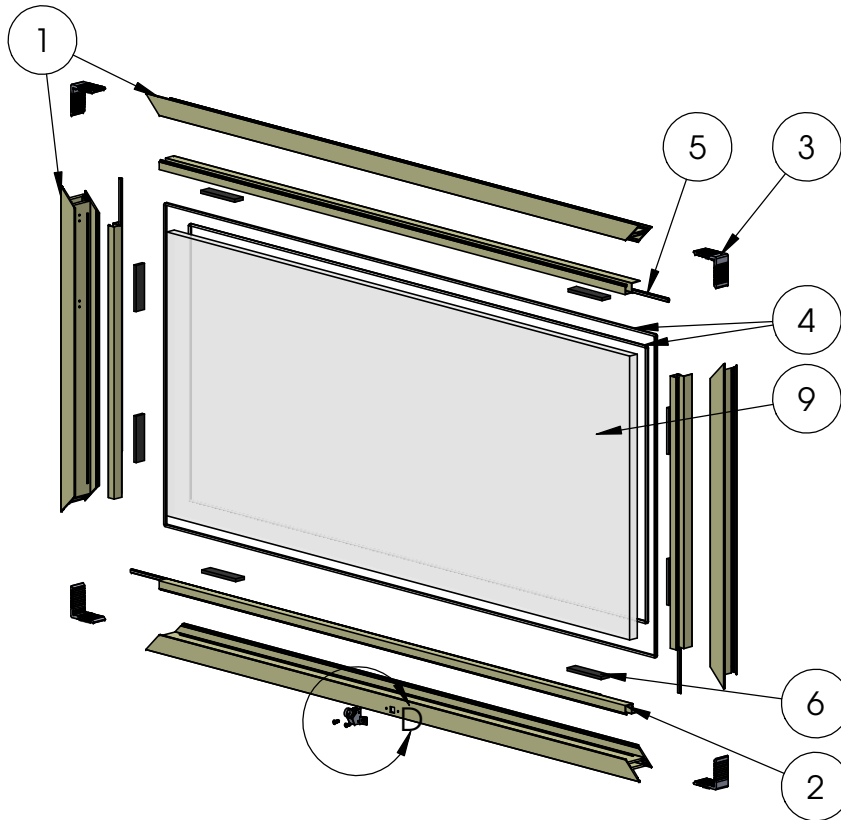


DETAIL C  
SCALE 1 : 7

**PROPRIETARY AND CONFIDENTIAL**  
THE INFORMATION CONTAINED IN THIS DRAWING IS THE SOLE PROPERTY OF FLEETWOOD WINDOWS & DOORS.  
ANY REPRODUCTION IN PART OR AS A WHOLE WITHOUT THE WRITTEN PERMISSION OF FLEETWOOD WINDOWS & DOORS IS PROHIBITED.

Description Frame Assembly	
File Name Series 250-T H Hopper Assembly with 4 Bar Hinges and Spring Latch	REV
Released 5/24/2017	SHEET 2 OF 4

# ASSEMBLY / PARTS LIST (B.O.M.)



DETAIL D  
SCALE 1 : 4

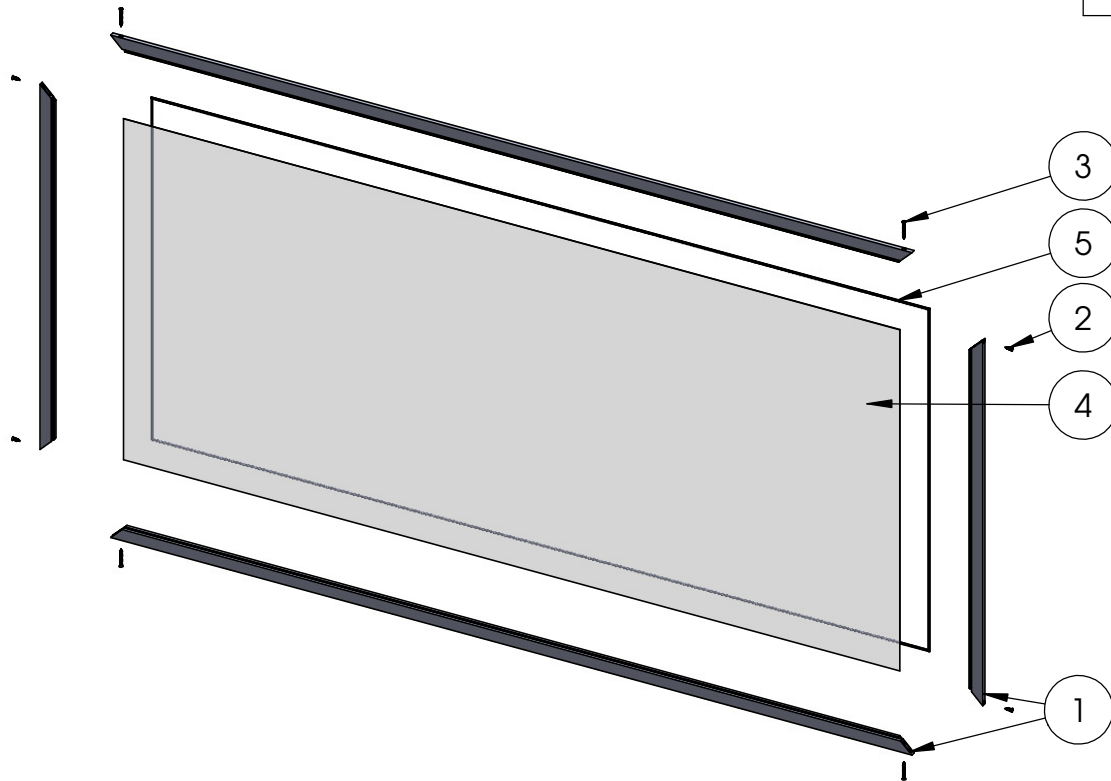
EXTRUSIONS			
ITEM NO.	PART NUMBER	DESCRIPTION	QTY.
1	05P11	Zee Bar	4
2	05P09, 05P12, 05P10, 05P06, 05P05	Glass Stop (1"), (1-1/4"), (1-1/2"), (5/8", 9/16" and 1/2"), (1/4")	4
HARDWARE			
3	20596	Corner Key, Vent	4
4	25199	Mini Bulb Vinyl	2
5	25031	Bulb Vinyl-Large	4
6	18620	Setting Block 4" x 1/4"x1"	8
7	18788	Spring Latch (Pull Ring)	1
8	20272	# 10 FHP - A - UC, 1/2" SS, Clear	2
9	-	Glass	1

**PROPRIETARY AND CONFIDENTIAL**  
THE INFORMATION CONTAINED IN THIS DRAWING IS THE SOLE PROPERTY OF FLEETWOOD WINDOWS & DOORS.  
ANY REPRODUCTION IN PART OR AS A WHOLE WITHOUT THE WRITTEN PERMISSION OF FLEETWOOD WINDOWS & DOORS IS PROHIBITED.

Description Panel Assembly	
File Name Series 250-T H Hopper Assembly with 4 Bar Hinges and Spring Latch	REV
Released 5/24/2017	SHEET 3 OF 4

# ASSEMBLY / PARTS LIST (B.O.M.)

ITEM NO.	PART NUMBER	DESCRIPTION	QTY.
1	114	.3125 Screen Frame	4
2	25752	#6 FHP-A 1/2", SS, Clear	4
3	25751	#6 FHP-A 1-1/4", SS, Clear	4
4	-	Screen Mesh	1
5	19127	Screen Rubber Spline .150	1



Description Flat Screen Assembly	
File Name Series 250-T H Hopper Assembly with 4 Bar Hinges and Spring Latch	REV
Released 5/24/2017	SHEET 4 OF 4

**PROPRIETARY AND CONFIDENTIAL**  
THE INFORMATION CONTAINED IN THIS DRAWING IS THE SOLE PROPERTY OF FLEETWOOD WINDOWS & DOORS.  
ANY REPRODUCTION IN PART OR AS A WHOLE WITHOUT THE WRITTEN PERMISSION OF FLEETWOOD WINDOWS & DOORS IS PROHIBITED.