

ASSEMBLY / PARTS LIST (B.O.M.)

Series: 250-T
Type: Casement (CC) with 4 Bar Hinges & Cam Handles

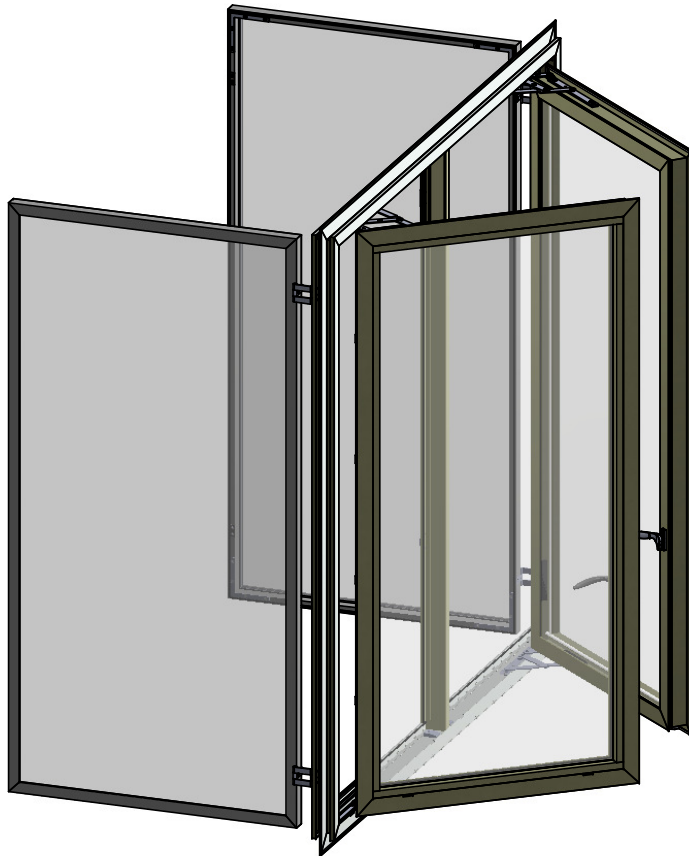
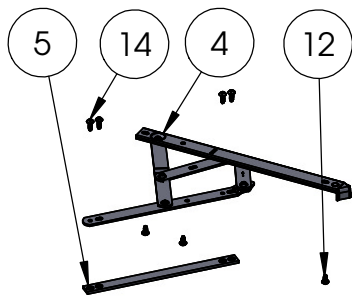
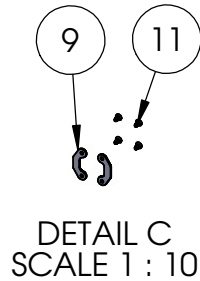
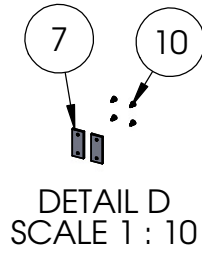
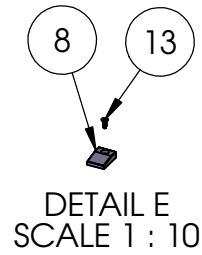
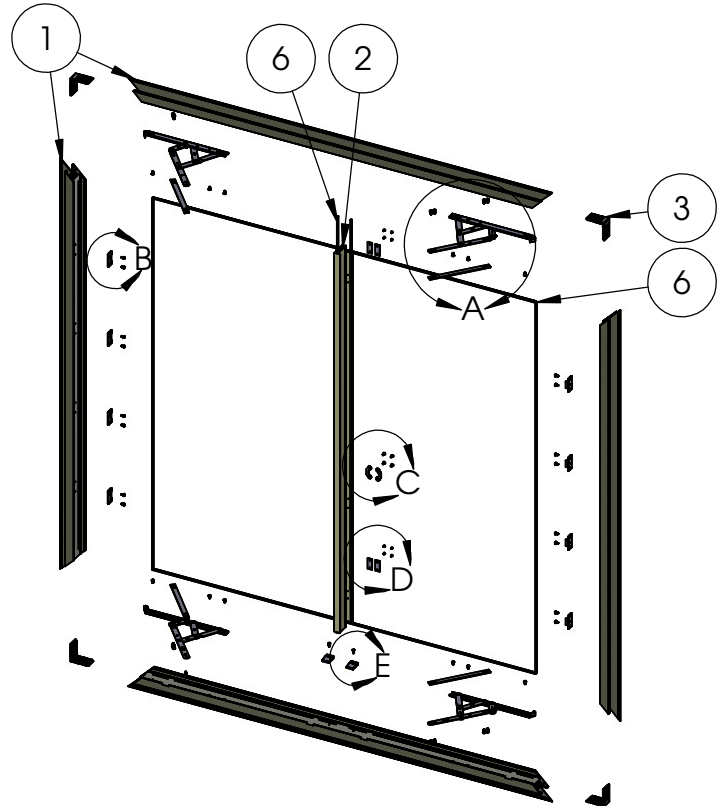


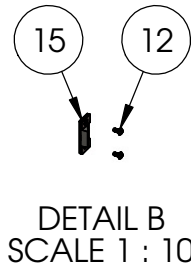
TABLE OF CONTENTS			
ITEM NO.	DESCRIPTION	QTY.	PAGE #
1	FRAME ASSEMBLY	1	2
2	PANEL ASSEMBLY	2	3
3	HINGE SCREEN ASSEMBLY	2	4

Description Table of Contents	
File Name Series 250-T CC Casement Assembly with 4 Bar Hinges and Cam Handles	REV
Released 11/28/2016	SHEET 1 OF 4

ASSEMBLY / PARTS LIST (B.O.M.)



DETAIL A
SCALE 1 : 10



EXTRUSIONS			
ITEM NO.	PART NUMBER	DESCRIPTION	QTY.
1	05P88, 05P19	Perimeter - OG (Nail-on, Block)	4
2	05P01	Tee Bar (Muntin)	1
HARDWARE			
3	20596	Corner Key, Vent	4
4	24932, 22865, 24654, 24655, 18811, 22868	4 Bar Hinge (8", 10", 12", 16", 22")	2
5	23368, 23369, 23370, 23371	4 Bar Shim (7 3/4", 8 3/4", 10 3/4", 13 1/2" length)	4
6	25199	Mini Bulb Vinyl	3
7	25405	Hinge Screen Magnet	4
8	18770	Large Pivot Shim	2
9	24983	Cam Strike Plate	2
10	20901	#6 X 3/8" UC FHSM	8
11	20937, 20268	#8 FHP - B - UC, 3/8", SS, (Clear, Black)	4
12	20337	# 10 PHP - B, 3/8", SS, Clear	28
13	20272	# 10 FHP - A - UC, 1/2" SS, Clear	2
14	20338	# 10 PHP - B, 1/2", SS, Clear	16
15	See Table A	Snubber, Frame Portion (HVHZ only)	8

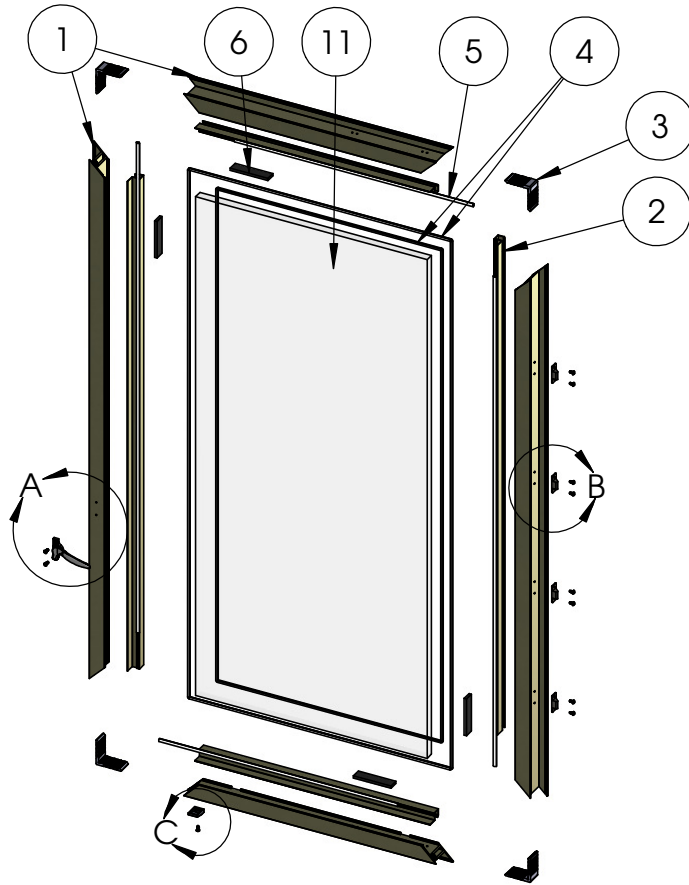
Table A: Snubber Option (HVHZ only)

Frame Width	25245 Snubber	20337 Screw
>24"	1	4
>36"	2	8
>48"	3	12
>60"	4	16
>72"	5	20
>84"	6	24
>96"	7	28

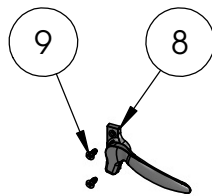
Description Frame Assembly	
File Name Series 250-T CC Casement Assembly with 4 Bar Hinges and Cam Handles	REV
Released 11/28/2016	SHEET 2 OF 4

PROPRIETARY AND CONFIDENTIAL
THE INFORMATION CONTAINED IN THIS DRAWING IS THE SOLE PROPERTY OF FLEETWOOD WINDOWS & DOORS.
ANY REPRODUCTION IN PART OR AS A WHOLE WITHOUT THE WRITTEN PERMISSION OF FLEETWOOD WINDOWS & DOORS IS PROHIBITED.

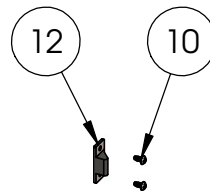
ASSEMBLY / PARTS LIST (B.O.M.)



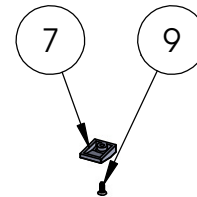
EXTRUSIONS			
ITEM NO.	PART NUMBER	DESCRIPTION	QTY.
1	02P11	Zee Bar	4
2	04P09, 04P05, 04P06	Glass Stop (1"), (1/4"), (5/8", 9/16", and 1/2")	4
HARDWARE			
3	20596	Corner Key, Vent	4
4	25199	Mini Bulb Vinyl	2
5	25031	Bulb Vinyl-Large	4
6	18620	Setting Block 4" x 1/4"x1"	4
7	18770	Large Pivot Shim	1
8	25735, 25740, 25739, 25736, 25737	Cam Handle (PO) (Gray, Black, Stainless Steel), (LH & RH)	1
9	20272	# 10 FHP - A - UC, 1/2" SS, Clear	3
10	20337	# 10 PHP - B, 3/8", SS, Clear	8
11	-	Glass	1
12	See Table A	Snubber (HVHZ only)	4



DETAIL A
SCALE 1 : 8



DETAIL B
SCALE 1 : 8

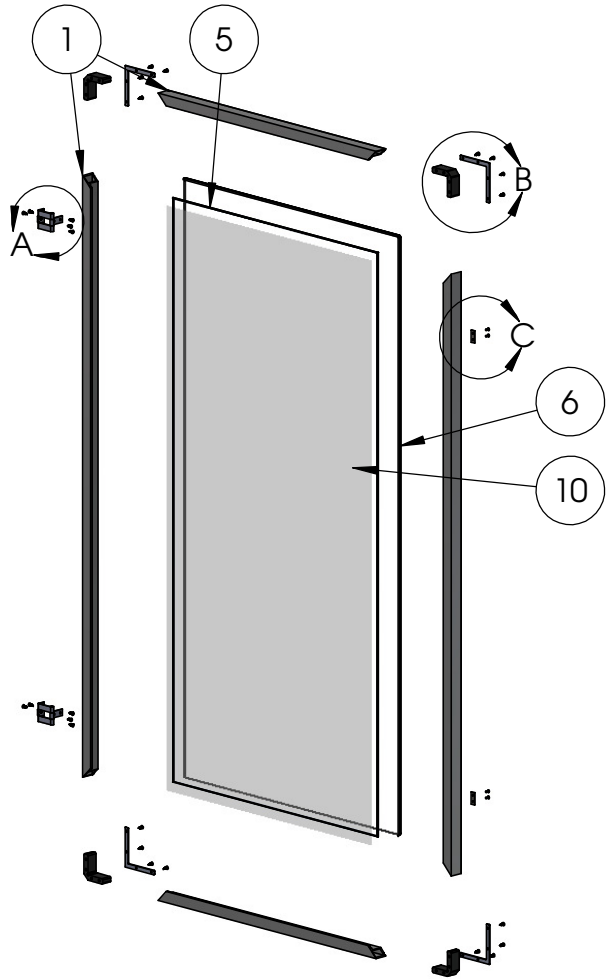


DETAIL C
SCALE 1 : 8

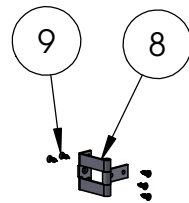
PROPRIETARY AND CONFIDENTIAL
THE INFORMATION CONTAINED IN THIS DRAWING IS THE SOLE PROPERTY OF FLEETWOOD WINDOWS & DOORS.
ANY REPRODUCTION IN PART OR AS A WHOLE WITHOUT THE WRITTEN PERMISSION OF FLEETWOOD WINDOWS & DOORS IS PROHIBITED.

Description Panel Assembly	
File Name Series 250-T CC Casement Assembly with 4 Bar Hinges and Cam Handles	REV
Released 11/28/2016	SHEET 3 OF 4

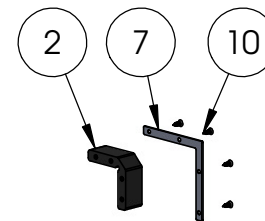
ASSEMBLY / PARTS LIST (B.O.M.)



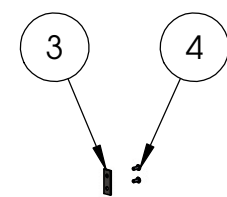
EXTRUSIONS			
ITEM NO.	PART NUMBER	DESCRIPTION	QTY.
1	958	Extruded Hinged Screen Frame (V2)	4
HARDWARE			
2	25258	Corner Key (Hinge Screen-V2)	4
3	25406	Hinge Screen Strike w/ Screws	2
4	AD43ABS200	Rivet	4
5	19127	Screen Rubber Spline .150	1
6	25189	Q-Lon Foam Seal	1
7	25400	90° Corner Hinge Screen Brace	4
8	25216, 25756	Screen Hinge V 2, Black	2
9	20240, 20241	#8 FHP - A - UC, 1/2", SS, Clear, Black	26
10	-	Screen Mesh	1



DETAIL A
SCALE 1 : 9



DETAIL B
SCALE 1 : 9



DETAIL C
SCALE 1 : 9

PROPRIETARY AND CONFIDENTIAL
THE INFORMATION CONTAINED IN THIS DRAWING IS THE SOLE PROPERTY OF FLEETWOOD WINDOWS & DOORS.
ANY REPRODUCTION IN PART OR AS A WHOLE WITHOUT THE WRITTEN PERMISSION OF FLEETWOOD WINDOWS & DOORS IS PROHIBITED.

Description Hinged Screen Assembly	
File Name Series 250-T CC Casement Assembly with 4 Bar Hinges and Cam Handles	REV
Released 11/28/2016	SHEET 4 OF 4